

CUSTOMER

PRASIMAX

**SPECIFICATION FOR APPROVAL
AC/DC ADAPTOR**

CUSTOMER SPEC:INPUT: 100-240V AC 50/60Hz OUTPUT: 12.0VDC 2000mA

CUSTOMER DWG./PART NO. _____

PART NO. KSASB0241200200HE (PAHS+REACH+ROHS)

SAMPLE NO: S74716

REV.: A ISSUE

DATE: 2015-2-13

Unit Color: Black

White

APPROVED SIGNATURES

APPROVED BY	CHECKED BY:	TESTED BY:

SEANEN ELECTRONICS CO., LTD

ADD: Rooms 1318-20 Hollywood Plaza 610 Nathan Road Mongkok KI HK
Tel: 852-27108200 Fax:852-27108266

SHENZHEN SEANEN ELECTRONICS CO., LTD

ADD: 209B 4th Building, Bolun Industry Park, Zhuguang West Road,
Xili Town, Nanshan District, Shenzhen, Guangdong, China 518055
Tel: 86-755-86230375 Fax:86-755-26940976
Email: sales@seanen.com Http://www.seanen.com

Switching Power Supply Specification

Project Modify List

Item	Content	Rev.	Date	Designed By	Checked By
1	First REV.	A	2015-02-13	YUQIUXIANG	LINYINGQING
2					
3					
4					
5					
6					
7					
8					
9					
10					
11					
12					
13					
14					
15					
16					
17					
18					
19					
20					
21					
22					
23					
24					
25					
26					

TITLE:

REVISIONS: A

DRAWING NO.:

DESIGN: 余秋香

CHECK: 林英青

APPROVE: 宋军

DATE: 2015-02-13

PAGE: 2 OF 11

Switching Power Supply Specification

1	GENERAL	4
1.1	Description.....	4
2	INPUT REQUIREMENTS	4
2.1	Input Conditions	4
2.2	AC Inrush Current	4
3	OUTPUT REQUIREMENTS	4
4	MECHANICAL	5
4.1	Enclosure And Layout	5
4.2	Input and Output Configuration	5
5	REGULATORY COMPLIANCE	6
5.1	EMC Specifications	6
5.1.1	Radiated and Conducted Emission.....	6
5.2	Immunity	6
5.2.1	Electrostatic Discharge Immunity.....	6
5.2.2	Radiated Field Immunity.....	6
5.2.3	Fast Transient Immunity	6
5.2.4	Surge Immunity.....	6
5.3	Safety Requirements and Certification	7
5.3.1	Regulatory Standard.....	7
5.3.2	Additional Safety Requirements	7
6	ENVIRONMENTAL REQUIREMENTS	7
6.1	Temperature	7
6.2	Humidity	7
7	APPEARANCE DRAWING: (Unit: mm)	8
8	NAME PLATE:	9
9	DIMENSION OF OUTPUT PLUG & DC CORD (Unit: mm)	10
10	PACKING (Unit: mm)	11

TITLE:		REVISIONS: A	DRAWING NO.:	
DESIGN: 余秋香	CHECK: 林英青	APPROVE: 宋军	DATE: 2015-02-13	PAGE: 3 OF 11

Switching Power Supply Specification

1 GENERAL

1.1 Description

This specification defines the performance characteristics for a class II adapter, single-phase 24.0 watts. Single output level power supply.

- Simple design philosophy.
- Overload Latch-Off protection during either (a) specified power threshold requirements or (b) short circuit condition.
- Reliability level of 655K hours MTBF @ 25° C (rated input voltage, and using the BELLCORE SR-332 method).
- DC output voltage must be Safe Extra Low Voltage (SELV) & Limited Power as defined by IEC60950-1.

The maximum room ambient temperature (T_{mra}), as mentioned in clause 1.4.12 of IEC60950-1, for the external power supply is 40°C.

- Cooling: natural convection.

2 INPUT REQUIREMENTS

2.1 Input Conditions

The Supply shall operate over the voltage ranges as follows:

Rated input voltage	100-240Vac
Operating range	90-264Vac
Rated input frequency	50/60Hz +/- 3Hz
Rated input current	0.6A max.
Maximum input power	30.73W
Input current (no loading)	≤25mA
Power consumption (no loading)	Max. 0.3W
Primary current protection	An adequate internal fuse on the AC input line is provide.
Configuration	<u>2</u> Conductor

2.2 AC Inrush Current

Peak inrush current shall be limited to 100A for a cold start. Under both cold & warm start conditions, there shall be no immediate damage or long term impact on the reliability of the Supply. The conformance test for this requirement shall be performed at +12.5% of the rated input voltage. Voltage and current waveforms will be observed on an oscilloscope following closure of the external power switch. Switch closure will be repeated until the waveforms show closure coincident with a voltage peak. The current measured during this occurrence will be defined as the peak inrush current.

3 OUTPUT REQUIREMENTS

3.1	Nominal dc output voltage	+ 12.0V
3.2	Minimum load current	0.0A

TITLE:		REVISIONS: A	DRAWING NO.:	
DESIGN: 余秋香	CHECK: 林英青	APPROVE: 宋军	DATE: 2015-02-13	PAGE: 4 OF 11

Switching Power Supply Specification

3.3	Rating load current	2.0A
3.4	Peak load current	/
3.5	Rating output power	24.0W
3.6	Line regulation	The line regulation is less than <u>±5%</u> while measuring at rated load and +/-10% of input voltage changing.
3.7	Load regulation	The load regulation for <u>+12.0V</u> is less than <u>+/-5%</u> , at measured output load from 10% to 100% rated load .
3.8	Peak load regulation	The peak load regulation for <u>+12.0V</u> is less than <u>/</u> , at measured output load from 30% to 100% rated load.
3.9	Ripple and noise	150 mVp-p
		Add 0.1uF/50V ceramic capacitor and 10uF/50V aluminum electrolytic capacitor across the output terminal. Measured with 20MHz Bandwidth Oscilloscope.
3.10	Switching efficiency	<u>82.22%</u> minimum
		115V/60Hz and 230V/50Hz, output current from 100%, 75%, 50%, 25%.
3.11	Turn on delay time	<u>4000 mS</u> At Rated input AC voltage and full load
3.12	Rise time	The Supply shall have a start-up rise time of less than <u>30 mS</u> to rise to within regulation limits for all DC outputs.
3.13	Hold up time	<u>7 mS</u> minimum At nominal input AC voltage and full load
3.14	Output over-shoot	Less than <u>7%</u> of nominal voltage value
3.15	Temperature coefficient	Output voltage temperature coefficient $\pm 0.05\%/^{\circ}\text{C}$
3.16	LED indication function	/
3.17	Protection function	
	Over-voltage protection	The output voltage shall be clamped by internal protection zener.
	Short-circuit protection	The adapter shall <u>not damage and with auto recovery function</u> by short the DC output to Ground.
	Over current protection	The power supply will be protection when output power at <u>110-200%</u> of all rated dc output

4 MECHANICAL

4.1 Enclosure And Layout

Plastic case: UL94V-1
 Weight : 130 g (Max.)
 Dimensions: 88.5x43.3x31.25 mm
 Colour : BLACK

4.2 Input and Output Configuration

Input pin: EU PIN
 Output connector : dc plug type:4.75*1.75*10mm

TITLE:		REVISIONS: A	DRAWING NO.:	
DESIGN: 余秋香	CHECK: 林英青	APPROVE: 宋军	DATE: 2015-02-13	PAGE: 5 OF 11

Switching Power Supply Specification

Polarity: Center:"+"

Cable: 1.5M VW-1 80°C 300V 2468 22AWG 2C BLACK+WHITE
(PAHS+REACH+RoHS)

5 REGULATORY COMPLIANCE

5.1 EMC Specifications

The external power supply must meet all specification in this section. It is recommended that the external power supply be tested with the customer's equipment in order to get the best EMC solution.

5.1.1 Radiated and Conducted Emission

The power supply shall comply to:

FCC part 15: Class B for radiated and conducted emissions.

EN55022:2010, Class B for radiated and conducted emissions.

GB9254-2008, GB17625.1-2012

5.2 Immunity

5.2.1 Electrostatic Discharge Immunity

EN 55024:2010, EN 61000-4-2

- Air Discharge: $\pm 8\text{kV}$

- Contact Discharge: $\pm 4\text{kV}$

- Performance Criteria B

Electrostatic-discharge test by contact or air should be conducted with Static-discharge tester, energy storage capacitance of 150pF, and discharge resistance of 330Ω , 8KV air discharge, 4KV contact discharge.

5.2.2 Radiated Field Immunity

EN 55024:2010, EN 61000-4-3

Frequency Range: 80-1000MHz

Field Strength: 3 V/m with 80% amplitude modulation of 1 kHz

Performance Criteria A

Radio-frequency electromagnetic field susceptibility test, RS 80-1000MHz, 3V/m, 80%AM(1KHz).

5.2.3 Fast Transient Immunity

EN 55024:2010, EN 61000-4-4

- Power line: 1kV

- Signal line: 0.5kV

- Performance Criteria B

5.2.4 Surge Immunity

EN 55024:2010, EN 61000-4-5

TITLE:

REVISIONS: A

DRAWING NO.:

DESIGN: 余秋香

CHECK: 林英青

APPROVE: 宋军

DATE: 2015-02-13

PAGE: 6 OF 11

Switching Power Supply Specification

- 1.2/50 usec Open Circuit voltage
- 8/20 usec Short Circuit current
- Power line: 1kV
- Line to Earth: 2kV

Lightning Surge Voltage shall be applied in differential and common mode to AC input lines and cross primary ac input and secondary GND.

5.3 Safety Requirements and Certification

5.3.1 Regulatory Standard

The power supply shall comply with the following international regulatory standards

for short	Country	Certified Status	Standard/标准
TUV	Europe/欧洲	MEET	TUV/VDE-EN60950-1
CE	Europe/欧洲	MEET	Declared& CE Mark

5.3.2 Additional Safety Requirements

- ⊙ Dielectric Withstand Voltage, Primary(input AC short)-to-Secondary(output DC short): 3000Vac, 5m A, 1 minute.
- ⊙ Insulation Resistance, Input to output: 20MΩ(MIN.) at 500VDC.
- ⊙ Reinforced insulation system, Primary-to-Ground and Primary-to-Secondary.
- ⊙ The leakage current shall not exceed 0.25mA.

6 ENVIRONMENTAL REQUIREMENTS

6.1 Temperature

- ⊙ Operating: 0°C +40 °C
- ⊙ Non-Operating: -20°C +80 °C

6.2 Humidity

- ⊙ Operating: 10%~90% (Non Condensing)
- ⊙ Non-Operating: 10%~90% (Non Condensing)

TITLE:

REVISIONS: A

DRAWING NO.:

DESIGN: 余秋香

CHECK: 林英青

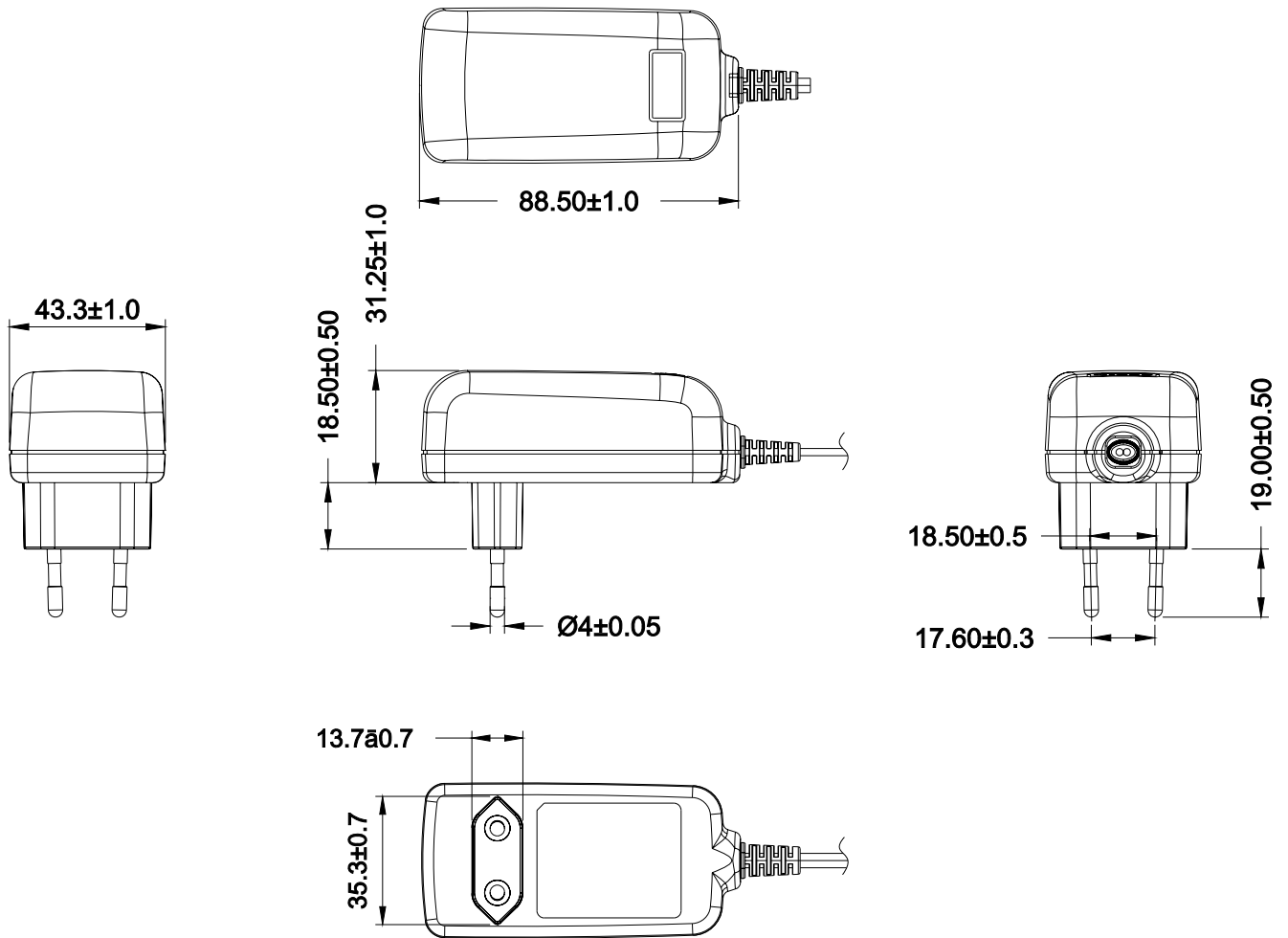
APPROVE: 宋军

DATE: 2015-02-13

PAGE: 7 OF 11

Switching Power Supply Specification

7 APPEARANCE DRAWING: (Unit: mm)

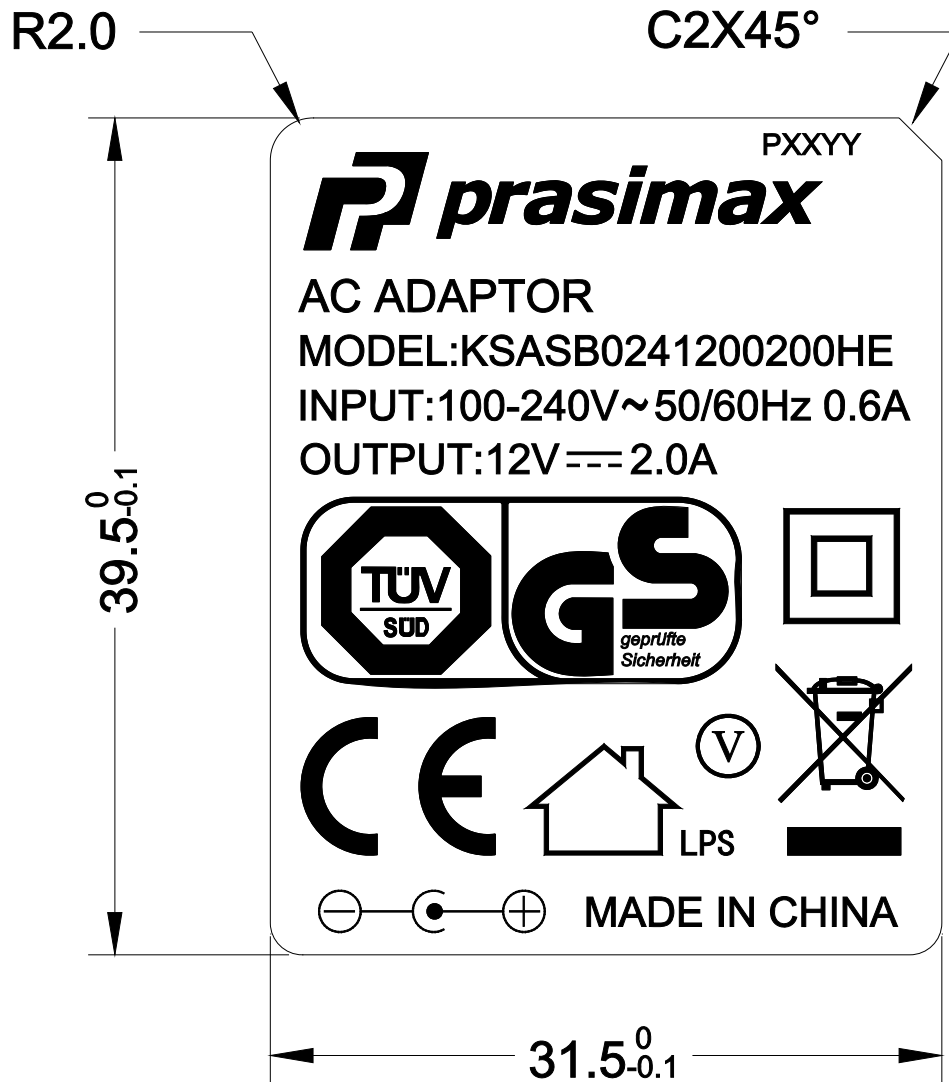


- NOTE: 1. Case cover & chassis material:
SE-1 BLACK
2. AC PIN MATERIAL: BRASS (NI PLATED)
3. PAHS+REACH+RoHS

TITLE:		REVISIONS: A	DRAWING NO.:	
DESIGN: 余秋香	CHECK: 林英青	APPROVE: 宋军	DATE: 2015-02-13	PAGE: 8 OF 11

Switching Power Supply Specification

8 NAME PLATE:

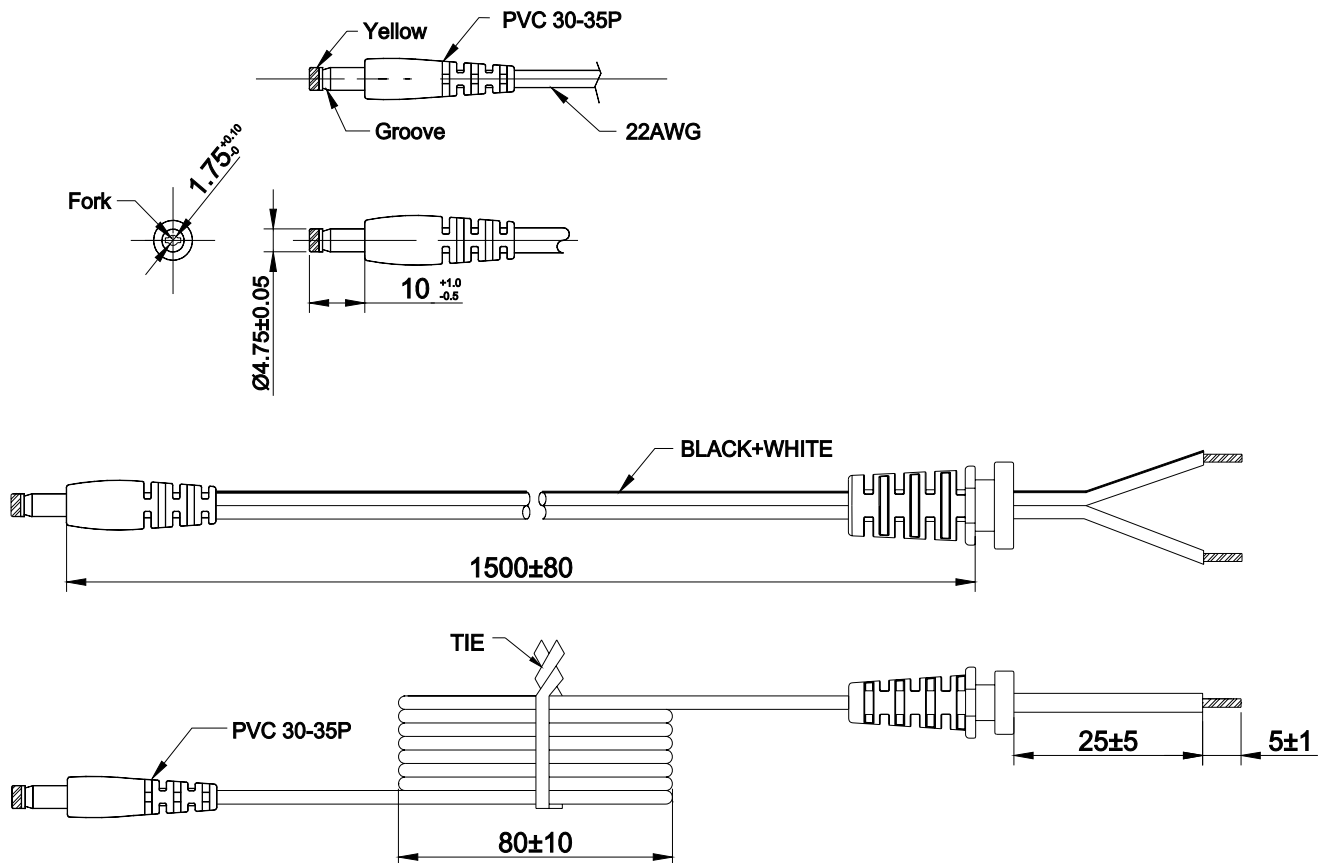


- Note:
- 1. MATERIAL: POLYESTER+PVC; COATING: 0.25+-0.05mm
White characters, Black background
PAHS+REACH+RoHS
 - 2. Laser 镭射
 Date code (PXXYY: P=PAHS+REACH+RoHS, XX=WEEK, YY=YEAR)
 按实际生产日期

TITLE:		REVISIONS: A	DRAWING NO.:	
DESIGN: 余秋香	CHECK: 林英青	APPROVE: 宋军	DATE: 2015-02-13	PAGE: 9 OF 11

Switching Power Supply Specification

9 DIMENSION OF OUTPUT PLUG & DC CORD (Unit: mm)



NOTE: (unit:mm)

1). WIRE TYPE: VW-1 80°C 300V L=1500mm 2468 22AWG 2C BLACK+WHITE

BLACK and WHITE---Positive BLACK---Negative

2). THE POLARITY: \ominus — \bullet — \oplus

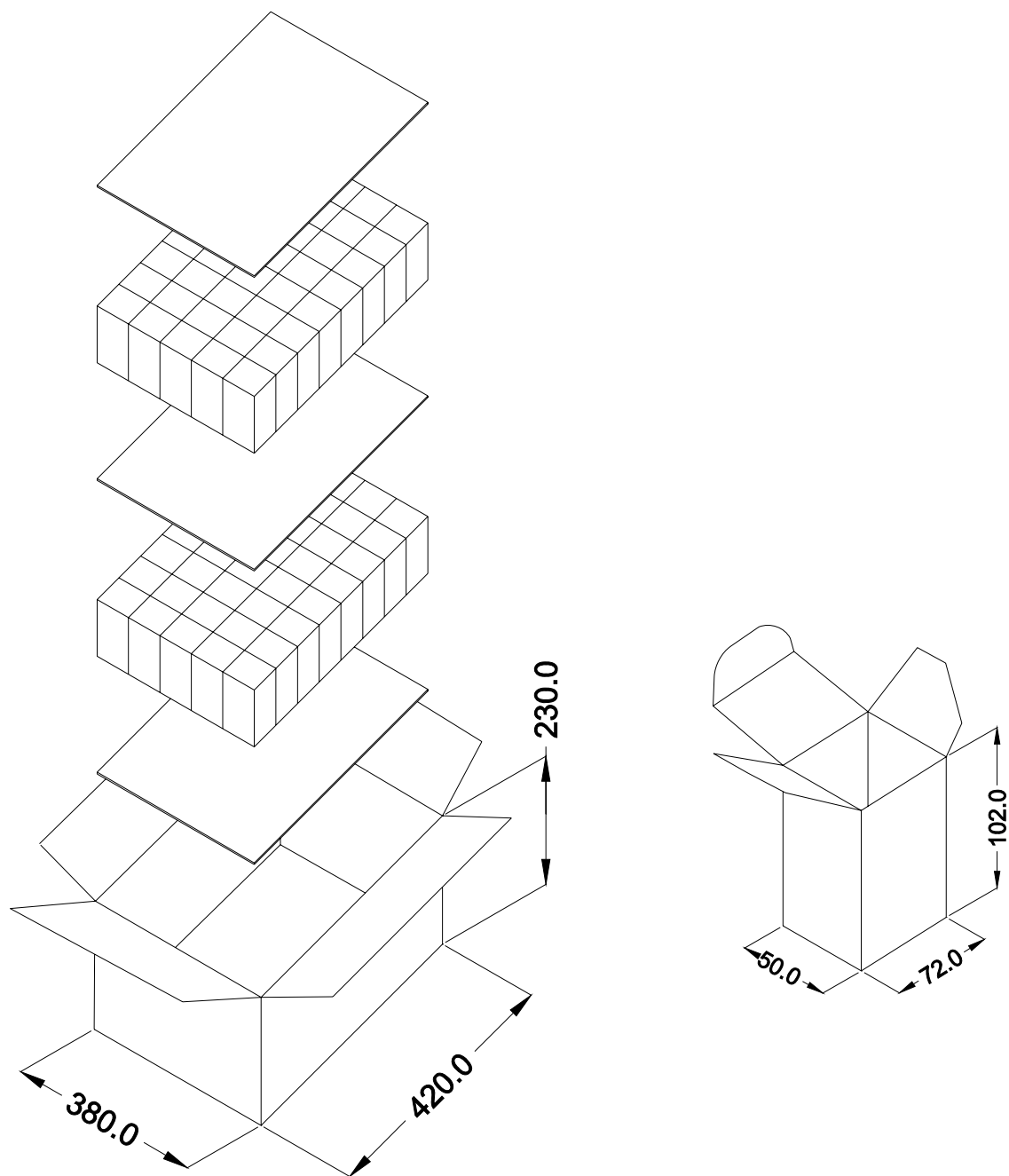
3). PAHS+REACH+RoHS

TITLE:		REVISIONS: A	DRAWING NO.:	
DESIGN: 余秋香	CHECK: 林英青	APPROVE: 宋军	DATE: 2015-02-13	PAGE: 10 OF 11

Switching Power Supply Specification

10 PACKING (Unit: mm)

此包装为公司标准品包装，可能与样品包装不同，请确认！



TITLE:

REVISIONS: A

DRAWING NO.:

DESIGN: 余秋香

CHECK: 林英青

APPROVE: 宋军

DATE: 2015-02-13

PAGE: 11 OF 11