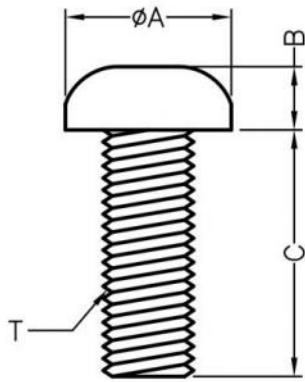


WEBSITE PHOTOS

⚠ This dwg is for reference only, Actual dwg should be based on formal engineering dwg issued by Kang Yang.



A	B	C	T
5.5	2.1	6.0	M3X0.5P

T	THREAD
---	--------



ISO 9001  
ISO 14001  
QC 080000

康揚企業股份有限公司  
KANG YANG HARDWARE ENTERPRISE CO., LTD.  
康揚塑膠(東莞)有限公司  
KANG YANG PLASTIC(DONG GUAN) CO., LTD.  
康哲電腦配件(吳江)有限公司  
KANG CHE COMPUTER COMPONENTS(WUJIANG) CO., LTD.

PART NUMBER		M3-6	SPEC. DWG.	
TITLE				
SCREW				
MATERIAL			COLOR	
NYLON 66(UL) 94V-0			NATURAL	
SIZE	SCALE	UNIT	CHECK	
A4	2:1	mm	Z.C	

PART NO	A	B	C	T	
M2-3	3.3	1.4	3.0	M2X0.4P	[1] NYLON 66(UL), Flame class: 94V-0/94V-2, Color: NATURAL. [2] PC(UL), Flame class: 94V-0, Color: NATURAL.
M2-4	3.3	1.4	4.0	M2X0.4P	[1] NYLON 66(UL), Flame class: 94V-0/94V-2, Color: NATURAL. [2] PC(UL), Flame class: 94V-2, Color: NATURAL.
M2-5	3.3	1.4	5.0	M2X0.4P	[1] NYLON 66(UL), Flame class: 94V-0/94V-2, Color: NATURAL. [2] PC(UL), Flame class: 94V-2, Color: NATURAL.
M2-6	3.3	1.4	6.0	M2X0.4P	[1] NYLON 66(UL), Flame class: 94V-0/94V-2, Color: NATURAL. [2] PC(UL), Flame class: 94V-2, Color: NATURAL.
M2-6.5	3.3	1.4	6.5	M2X0.4P	[1] NYLON 66(UL), Flame class: 94V-0/94V-2, Color: NATURAL. [2] PC(UL), Flame class: 94V-2, Color: NATURAL.
M2-8	3.3	1.4	8.0	M2X0.4P	[1] NYLON 66(UL), Flame class: 94V-0/94V-2, Color: NATURAL. [2] PC(UL), Flame class: 94V-2, Color: NATURAL.
M2-10	3.3	1.4	10.0	M2X0.4P	[1] NYLON 66(UL), Flame class: 94V-0/94V-2, Color: NATURAL. [2] PC(UL), Flame class: 94V-2, Color: NATURAL.
M2-12	3.3	1.4	12.0	M2X0.4P	[1] NYLON 66(UL), Flame class: 94V-0/94V-2, Color: NATURAL. [2] PC(UL), Flame class: 94V-2, Color: NATURAL.
M2-15	3.3	1.4	15.0	M2X0.4P	[1] NYLON 66(UL), Flame class: 94V-0/94V-2, Color: NATURAL. [2] PC(UL), Flame class: 94V-2, Color: NATURAL.
M2.5-6	4.3	1.5	6.0	M2.5X0.45P	[1] NYLON 66(UL), Flame class: 94V-0/94V-2, Color: NATURAL. [2] PC(UL), Flame class: 94V-2, Color: NATURAL.
M2.6-4	4.3	1.5	4.0	M2.6X0.45P	[1] NYLON 66(UL), Flame class: 94V-0/94V-2, Color: NATURAL. [2] PC(UL), Flame class: 94V-2, Color: NATURAL.
M2.6-5	4.3	1.5	5.0	M2.6X0.45P	[1] NYLON 66(UL), Flame class: 94V-0/94V-2, Color: NATURAL. [2] PC(UL), Flame class: 94V-2, Color: NATURAL.
M2.6-6	4.3	1.5	6.0	M2.6X0.45P	[1] NYLON 66(UL), Flame class: 94V-0/94V-2, Color: NATURAL. [2] PC(UL), Flame class: 94V-2, Color: NATURAL.
M2.6-8	4.3	1.5	8.0	M2.6X0.45P	[1] NYLON 66(UL), Flame class: 94V-0/94V-2, Color: NATURAL. [2] PC(UL), Flame class: 94V-2, Color: NATURAL.



PART NO	A	B	C	T	
M2.6-10	4.3	1.5	10.0	M2.6X0.45P	[1] NYLON 66(UL), Flame class: 94V-0/94V-2, Color: NATURAL. [2] PC(UL), Flame class: 94V-2, Color: NATURAL.
M3-4	5.5	2.1	4.0	M3X0.5P	[1] NYLON 66(UL)/PC(UL), Flame class: 94V-0/94V-2, Color: NATURAL.
M3-5	5.5	2.1	5.0	M3X0.5P	[1] NYLON 66(UL)/PC(UL), Flame class: 94V-0/94V-2, Color: NATURAL.
M3-8	5.5	2.1	8.0	M3X0.5P	[1] NYLON 66(UL)/PC(UL), Flame class: 94V-0/94V-2, Color: NATURAL.
M3-10	5.5	2.1	10.0	M3X0.5P	[1] NYLON 66(UL)/PC(UL), Flame class: 94V-0/94V-2, Color: NATURAL.
M3-12	5.5	2.1	12.0	M3X0.5P	[1] NYLON 66(UL)/PC(UL), Flame class: 94V-0/94V-2, Color: NATURAL.
M3-15	5.5	2.1	15.0	M3X0.5P	[1] NYLON 66(UL)/PC(UL), Flame class: 94V-0/94V-2, Color: NATURAL.
M3-17	5.5	2.1	17.0	M3X0.5P	[1] NYLON 66(UL)/PC(UL), Flame class: 94V-0/94V-2, Color: NATURAL.
M3-18	5.5	2.1	18.0	M3X0.5P	[1] NYLON 66(UL)/PC(UL), Flame class: 94V-0/94V-2, Color: NATURAL.
M3-20	5.5	2.1	20.0	M3X0.5P	[1] NYLON 66(UL)/PC(UL), Flame class: 94V-0/94V-2, Color: NATURAL.
M3-25	5.5	2.1	25.0	M3X0.5P	[1] NYLON 66(UL)/PC(UL), Flame class: 94V-0/94V-2, Color: NATURAL.
M4-6	7.0	2.5	6.0	M4X0.7P	[1] NYLON 66(UL), Flame class: 94V-0/94V-2, Color: NATURAL. [2] PC(UL), Flame class: 94V-2, Color: NATURAL.
M4-8	7.0	2.5	8.0	M4X0.7P	[1] NYLON 66(UL), Flame class: 94V-0/94V-2, Color: NATURAL. [2] PC(UL), Flame class: 94V-2, Color: NATURAL.
M4-10	7.0	2.5	10.0	M4X0.7P	[1] NYLON 66(UL), Flame class: 94V-0/94V-2, Color: NATURAL. [2] PC(UL), Flame class: 94V-2, Color: NATURAL.



PART NO	A	B	C	T	
M4-12	7.0	2.5	12.0	M4X0.7P	[1] NYLON 66(UL), Flame class: 94V-0/94V-2, Color: NATURAL. [2] PC(UL), Flame class: 94V-2, Color: NATURAL.
M4-14	7.0	2.5	14.0	M4X0.7P	[1] NYLON 66(UL), Flame class: 94V-0/94V-2, Color: NATURAL. [2] PC(UL), Flame class: 94V-2, Color: NATURAL.
M4-16	7.0	2.5	16.0	M4X0.7P	[1] NYLON 66(UL), Flame class: 94V-0/94V-2, Color: NATURAL. [2] PC(UL), Flame class: 94V-2, Color: NATURAL.
M4-20	7.0	2.5	20.0	M4X0.7P	[1] NYLON 66(UL), Flame class: 94V-0/94V-2, Color: NATURAL. [2] PC(UL), Flame class: 94V-2, Color: NATURAL.
M4-25	7.0	2.5	25.0	M4X0.7P	[1] NYLON 66(UL), Flame class: 94V-0/94V-2, Color: NATURAL. [2] PC(UL), Flame class: 94V-2, Color: NATURAL.
M4-30	7.0	2.5	30.0	M4X0.7P	[1] NYLON 66(UL), Flame class: 94V-0/94V-2, Color: NATURAL. [2] PC(UL), Flame class: 94V-2, Color: NATURAL.
M4-35	7.0	2.5	35.0	M4X0.7P	[1] NYLON 66(UL), Flame class: 94V-0/94V-2, Color: NATURAL. [2] PC(UL), Flame class: 94V-2, Color: NATURAL.
M5-20	9.1	3.6	20.0	M5X0.8P	[1] NYLON 66(UL), Flame class: 94V-0/94V-2, Color: NATURAL. [2] PC(UL), Flame class: 94V-2, Color: NATURAL.
R440-6	5.2	2.4	6.4	4-40 UNC	[1] NYLON 66(UL), Flame class: 94V-0/94V-2, Color: NATURAL. [2] PC(UL), Flame class: 94V-2, Color: NATURAL.
R440-8	5.2	2.4	8.0	4-40 UNC	[1] NYLON 66(UL), Flame class: 94V-0/94V-2, Color: NATURAL. [2] PC(UL), Flame class: 94V-2, Color: NATURAL.
R440-9	5.2	2.4	9.5	4-40 UNC	[1] NYLON 66(UL), Flame class: 94V-0/94V-2, Color: NATURAL. [2] PC(UL), Flame class: 94V-2, Color: NATURAL.
R440-12	5.2	2.4	12.7	4-40 UNC	[1] NYLON 66(UL), Flame class: 94V-0/94V-2, Color: NATURAL. [2] PC(UL), Flame class: 94V-2, Color: NATURAL.
R440-15	5.2	2.4	15.5	4-40 UNC	[1] PC(UL), Flame class: 94V-2, Color: NATURAL.
R440-4S	5.8	1.8	4.75	4-40 UNC	[1] NYLON 66(UL), Flame class: 94V-0/94V-2, Color: NATURAL.



PART NO	A	B	C	T	
R632-6	6.7	2.5	6.35	6-32 UNC	[1] NYLON 66(UL), Flame class: 94V-0/94V-2, Color: NATURAL. [2] PC(UL), Flame class: 94V-2, Color: NATURAL.
R632-8	6.7	2.5	8.0	6-32 UNC	[1] NYLON 66(UL), Flame class: 94V-0/94V-2, Color: NATURAL. [2] PC(UL), Flame class: 94V-2, Color: NATURAL.
R632-9	6.7	2.5	9.5	6-32 UNC	[1] NYLON 66(UL), Flame class: 94V-0/94V-2, Color: NATURAL. [2] PC(UL), Flame class: 94V-2, Color: NATURAL.
R632-12	6.7	2.5	12.7	6-32 UNC	[1] NYLON 66(UL), Flame class: 94V-0/94V-2, Color: NATURAL. [2] PC(UL), Flame class: 94V-2, Color: NATURAL.
R632-15	6.7	2.5	15.9	6-32 UNC	[1] NYLON 66(UL), Flame class: 94V-0/94V-2, Color: NATURAL. [2] PC(UL), Flame class: 94V-2, Color: NATURAL.
R632-19	6.7	2.5	19.1	6-32 UNC	[1] NYLON 66(UL), Flame class: 94V-0/94V-2, Color: NATURAL. [2] PC(UL), Flame class: 94V-2, Color: NATURAL.
M2.5-4	4.3	1.5	4.0	M2.5X0.45P	[1] NYLON 66(UL), Flame class: 94V-0/94V-2, Color: NATURAL. [2] PC(UL), Flame class: 94V-2, Color: NATURAL.
M2.5-5	4.3	1.5	5.0	M2.5X0.45P	[1] NYLON 66(UL), Flame class: 94V-0/94V-2, Color: NATURAL. [2] PC(UL), Flame class: 94V-2, Color: NATURAL.
M2.5-8	4.3	1.5	8.0	M2.5X0.45P	[1] NYLON 66(UL), Flame class: 94V-0/94V-2, Color: NATURAL. [2] PC(UL), Flame class: 94V-2, Color: NATURAL.
M2.5-10	4.3	1.5	10.0	M2.5X0.45P	[1] NYLON 66(UL), Flame class: 94V-0/94V-2, Color: NATURAL. [2] PC(UL), Flame class: 94V-2, Color: NATURAL.
M2.5L-13	6.3	1.5	13.0	M2.5X0.45P	[1] NYLON 66(UL), Flame class: 94V-0/94V-2, Color: NATURAL.
M3-30	5.5	2.1	30.0	M3X0.5P	[1] NYLON 66(UL), Flame class: 94V-0/94V-2, Color: NATURAL.

