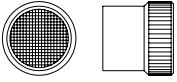
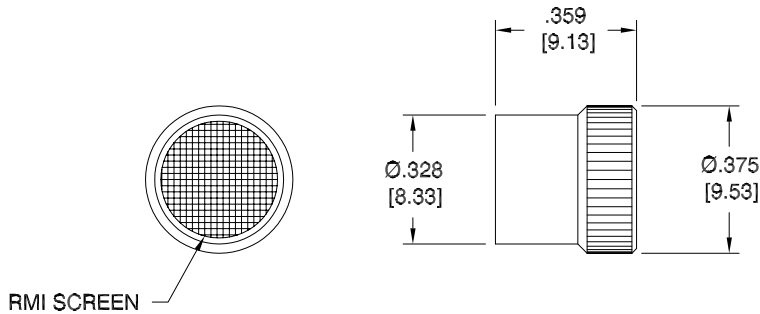


LTR	REVISION	DATE	APPD
-	RELEASED	10-06-17	



ACTUAL SIZE



NOTES:

1. ALL DIMENSIONS ARE IN INCHES (MILLIMETERS).
2. MATERIAL: NICKEL
3. COLOR: BLACK

REVISION NOTIFICATION	
<input type="checkbox"/>	DLC
<input type="checkbox"/>	UL/ETL
<input type="checkbox"/>	MADE IN USA
<input type="checkbox"/>	CUSTOMER _____
<input type="checkbox"/>	OTHER
REDLINE CHECKLIST	
<input type="checkbox"/>	REDLINE(YES)
<input type="checkbox"/>	DATE: _____
<input type="checkbox"/>	INITIATED BY: _____
<input type="checkbox"/>	ECR REQUIRED YES <input type="checkbox"/> NO <input type="checkbox"/>
<input type="checkbox"/>	WORK ORDER# _____

LED[®]
LEDTRONICS,™ INC.
 23105 KASHIWA COURT
 TORRANCE, CA 90505

-PROPRIETARY-
 This document contains Proprietary information of LEDTRONICS,™ INC. It may not be copied, used or disclosed for any purpose without the prior express written consent of LEDTRONICS,™ INC.

.XXX ± .010 TOLERANCE PER ANSI-Y14.5
 .XX ± .025 (UNLESS OTHERWISE STATED)
 ANGLES ± 0°,30'
 FRACT. ± 1/32

TITLE					
LENS-HL852-WC					
DWG NO		SCALE	SHEET	DATE	
CMLN0003-CUST		2:1	1 OF 1	10-06-17	
CODE IDENT NO.	DWG BY GP	CHK BY	QA EE	MFG LD	R&D KS
8Z410	10-06-17		10-10-17	10-10-17	10-11-17