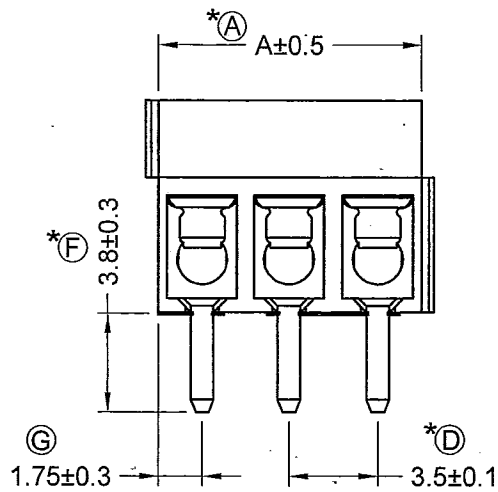
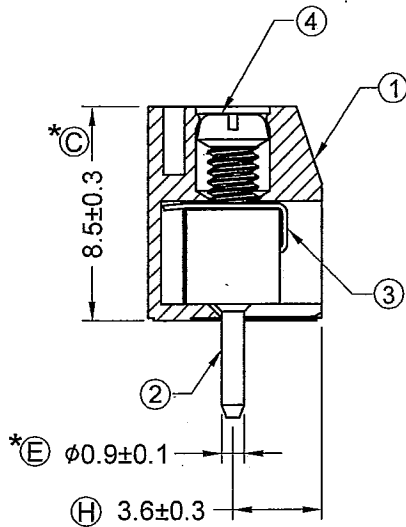
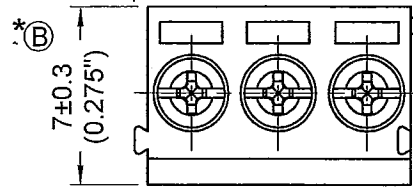
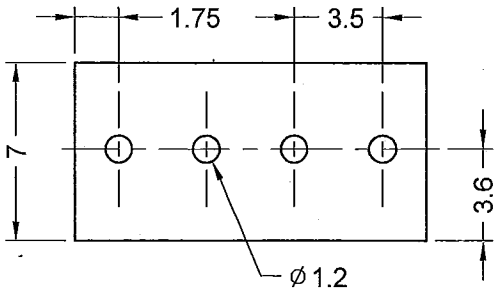


Type No. : MA212-350M
 Order No. : MA212-350MxxKZ

RoHS Compliant  US

PCB Layout



Pitch : 3.50mm(0.138inch)

Poles	A(mm)	A(inch)	Poles	A(mm)	A(inch)
2	7.00	0.276	15	52.50	2.067
3	10.50	0.413	16	56.00	2.205
4	14.00	0.551	17	59.50	2.343
5	17.50	0.689	18	63.00	2.480
6	21.00	0.827	19	66.50	2.618
7	24.50	0.965	20	70.00	2.756
8	28.00	1.102	21	73.50	2.894
9	31.50	1.240	22	77.00	3.031
10	35.00	1.378	23	80.50	3.169
11	38.50	1.516	24	84.00	3.307
12	42.00	1.654	25	87.50	3.445
13	45.50	1.791			
14	49.00	1.929			

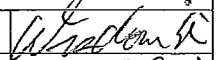
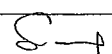
Current rating : 6Amp AC300V
 Insulation withstands volt : AC2000V min
 Insulation resistance : >2000MΩ DC500V
 Operation temperature : -40°C to +105°C
 Wire strip length : 7mm
 Wire range : 16~26 AWG
 Screw torque : 2 lb-inch

文件管制
 OCT 04, 2012
文管中心

CONFIRMED & ACCEPTED BY

	Material	Plating/Finish	Remark
1	Insulating body Polyamide 66(UL94V-0)		Black
2	Terminal Brass	Tin plated	
3	Wire protector Phosphor bronze	Tin plated	
4	Screw Steel	Zinc plated	

DECA SwitchLab INC.

Order No.	MA212-350MxxKZ			VERSION	B	CONFIRMED BY	
SHEET OF	2/2	METRIC	MM	DRAWN BY		DATE	2012/10/04
						GENERAL MANAGER	