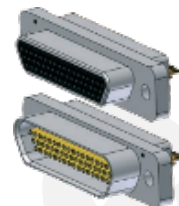


MDA221PFSB

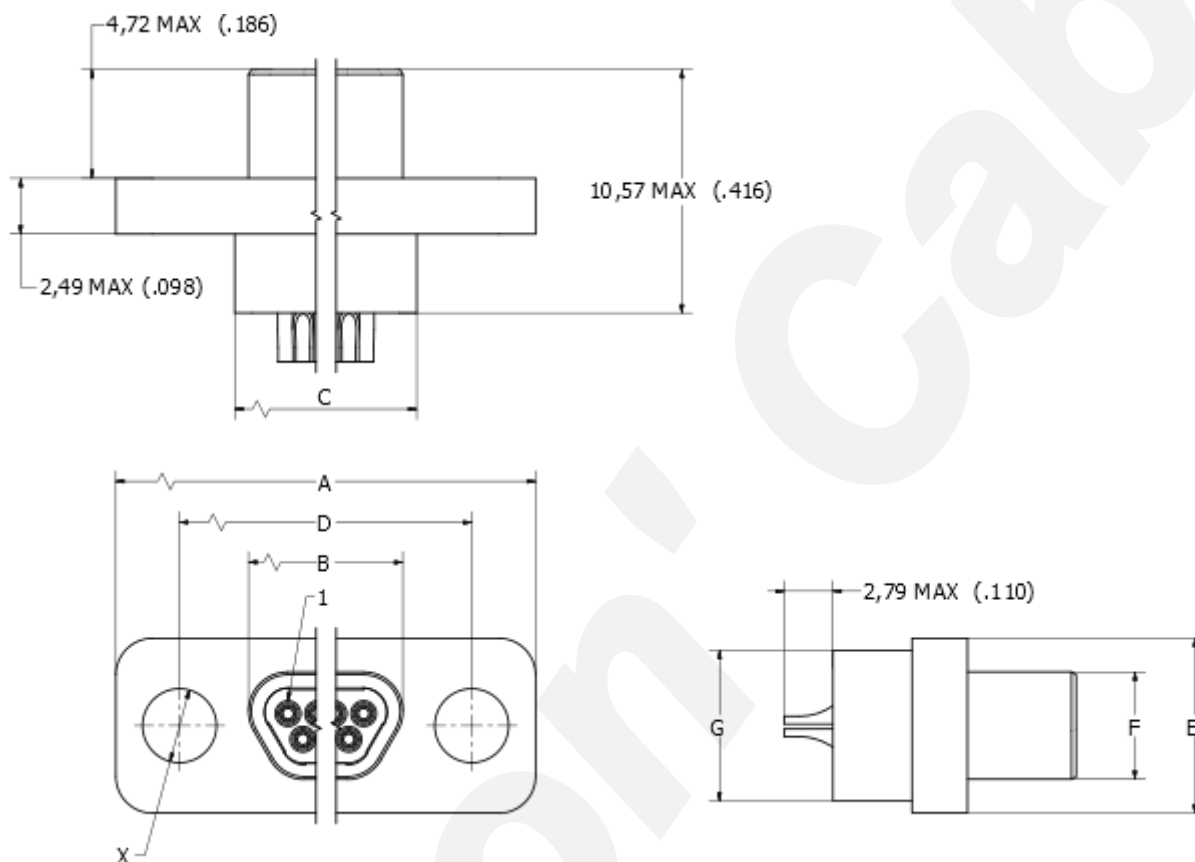
General information

- § Rectangular micro-D connector
- § Nickel aluminium shell + potting 150°C
- § Solder cup
- § Male (pin contacts) : 21 contacts
- § No hardware



Dimensions

Dimensions are in millimetres (inches)



A ± 0.25 (±.010)	B max. Male	B max. Female	C - 0.46/+0.25 (- .018/+0.10)	D ± 0.13 (±.005)	E ± 0.25 (±.010)	F max. Male	F max. Female	G max.	X
27.31 (1.075)	16.10 (.634)	17.81 (.701)	17.53 (.690)	21.97 (.865)	7.57 (.298)	4.69 (.185)	6.35 (.250)	6.86 (.270)	2.24/2.44 (-)

Summary of characteristics

ELECTRICAL & MECHANICAL PERFORMANCE		MATERIAL & FINISH	
CURRENT RATING	3 A max.	SHELL	Aluminium alloy 6061 or 300 series stainless steel, see ordering info for plating options
CONTACT RESISTANCE	8 mΩ max.	MOULDED INSULATOR	Liquid Crystal Polymer (LCP)
INSULATION RESISTANCE	5000 MΩ min. @ 500 V AC	INTERFACIAL SEAL	Fluorosilicone rubber
DIELECTRIC WITHSTANDING VOLTAGE	Sea level : 600V AC Altitude 21km (70,000 ft) : 150V AC	PIN CONTACT	Copper and beryllium copper, gold over nickel plating
CONTACT ENGAGING FORCE	170 g max. (6 oz)	SOCKET CONTACT	Copper alloy, gold over nickel plating
CONTACT SEPARATING FORCE	14 g min. (0,5 oz)	SOLDER CUP	Copper alloy, gold over nickel plating
CONTACT RETENTION	2,26 kg (5 lbs)	ENCAPSULANT	Epoxy resin
DURABILITY	500 mating cycles min.	HARDWARE	300 series stainless steel, passivated
VIBRATION	20g's - No Discontinuity > 1μs		
SHOCK	50g's - No Discontinuity > 1μs		