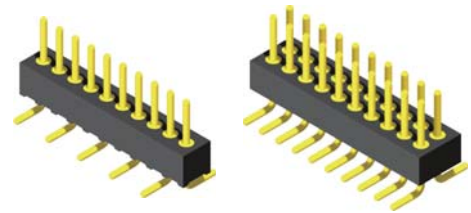
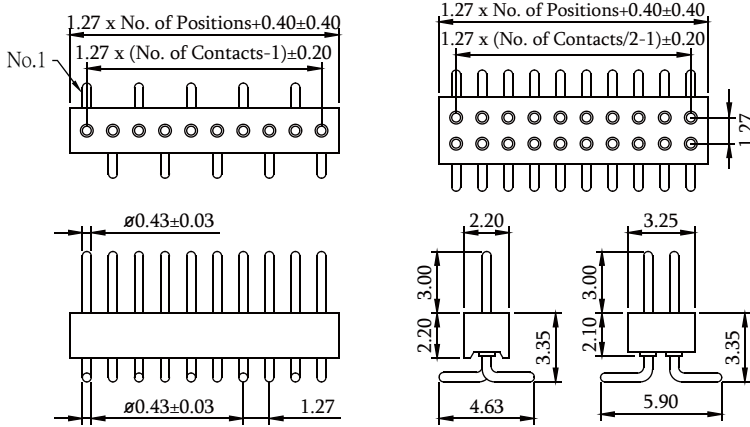




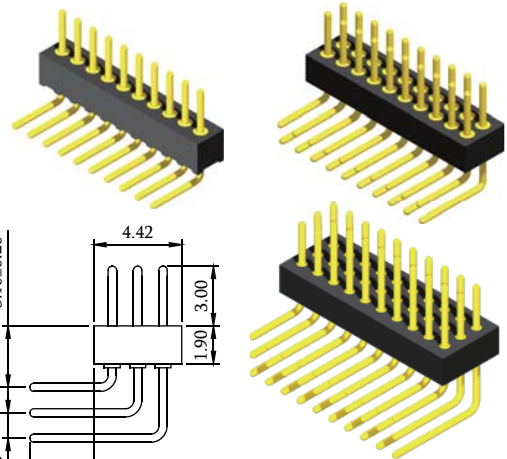
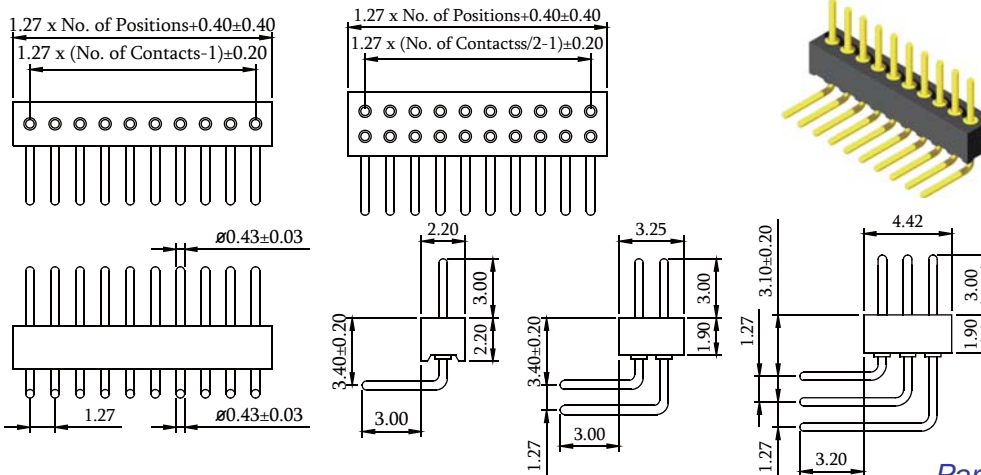
## Machine Pin Header SMT / Right Angle / Straight Type 1.27mm

**Specifications**  
 Current Rate: 1 AMP  
 Insulation Resistance:  $\geq 1000M\Omega$  at  $V=100V$ .  
 Contact Resistance:  $\leq 10m\Omega$ /Contact.  
 Dielectric Voltage: 1000V AC for one minute  
 Operation Temperature:  $-40^{\circ}C$  to  $+105^{\circ}C$

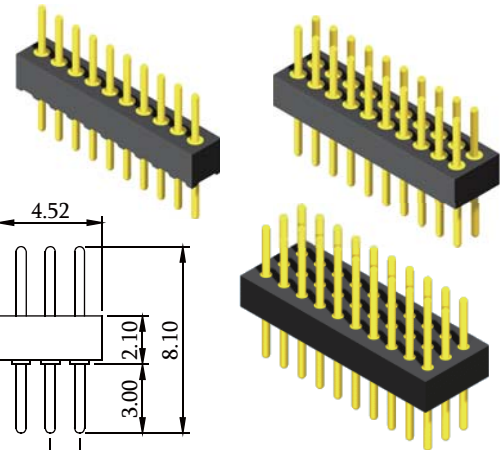
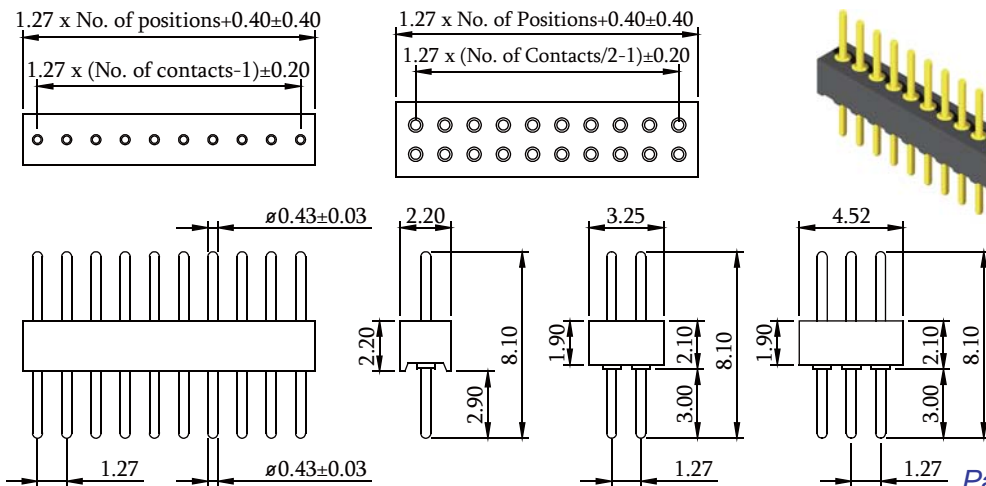
**Material**  
 Insulator: Polyester, UL 94V-0  
 Standard: PPS  
 Terminal: Copper Alloy  
 Plated: Gold Plated



Part No.: MH3M-1/2XX-U

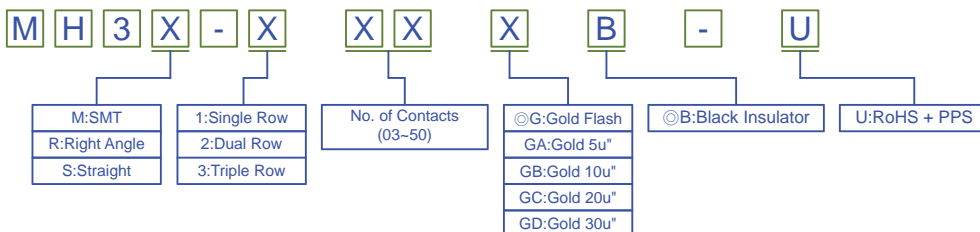


Part No.: MH3R-1/2/3XX-U



Part No.: MH3S-1/2/3XX-U

### ORDER INFORMATION



Standard Recommended

Machine Pin Header

RoHS

CONNECTOR MANUFACTURER