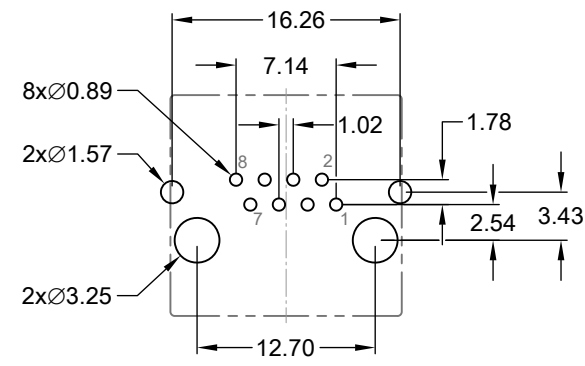
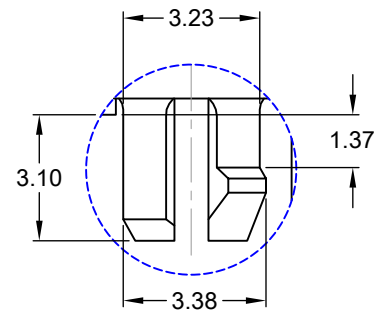
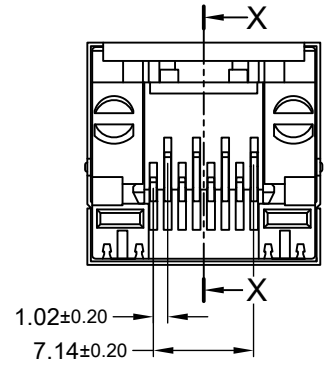
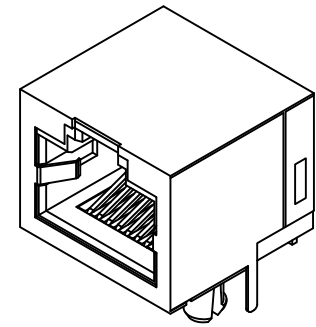
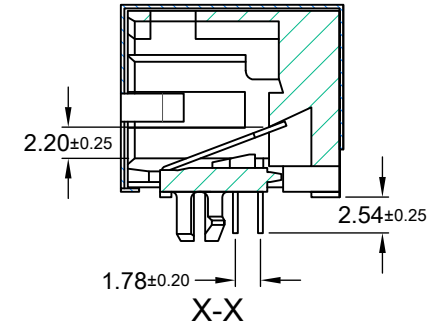
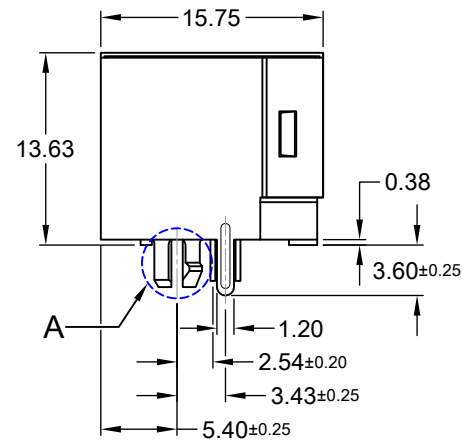
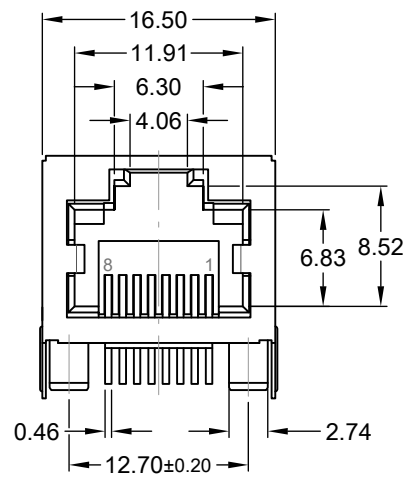


REV.	DESCRIPTION	DATE	DRAWN
A	New	10.05.1993	CQ
B	New shield design; plating Sn -> Au; Part No. -SARJ-xx/CS -> -S3M1-5x/3CS	04.07.2013	Ronny
C	General update	26.10.2020	Ryan



Specifications

Electrical
 Current rating: 1.5A
 Insulation resistance: 500MΩ min. @ 500V DC
 Contact resistance: 20mΩ max.
 Voltage rating: 150V AC rms
 Withstanding voltage: 1000V AC rms 60Hz / Minute

Materials
 Contact: Phosphor Bronze t=0.35mm
 Plating: Au flash on solder area
 Shield: Copper Alloy; Ni plated t=0.25mm
 Insulator: PA46 (black) UL 94V-0

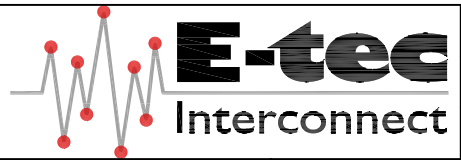
Operating temperature: 0°C to +70°C
 Storage temperature: -40°C to +80°C

Mechanical Requirements
 Operating Life: 750 cycles min.

Cavity comply with FCC Rules and Regulations Part 68, Subpart F

PART NUMBER	GOLD PLATING CONTACT AREA
MJS-188-S3M1-56/3CS	6μ"
MJS-188-S3M1-57/3CS	15μ"
MJS-188-S3M1-58/3CS	30μ"
MJS-188-S3M1-5H/3CS	50μ"

E-tec 2020 © - all rights reserved www.e-tec.asia



UNIT	GENERAL TOLERANCE	DRAWN	DATE	DWG. NO.	SHEET 1/1
mm	X.° ± X. ±	CQ	10.05.1993	1331510	
SCALE	.XX° ± .XX ±	CHECK	26.10.2020		REV. C
	.XXX° ± .XXX ±	APPROVE	26.10.2020	SERIES NO.	
		Fagi		MJS-188-S3M1-5x/3CS	

THT Side Entry PCB Jack
 RJ45 <8P/8C> "TAB UP"
 Short Profile Fully Shielded
 Without Grounding Latches