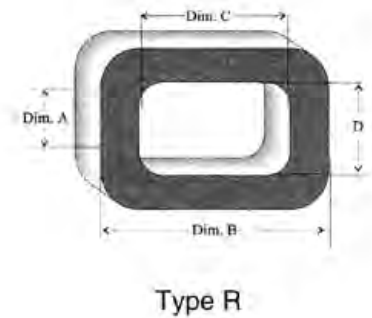
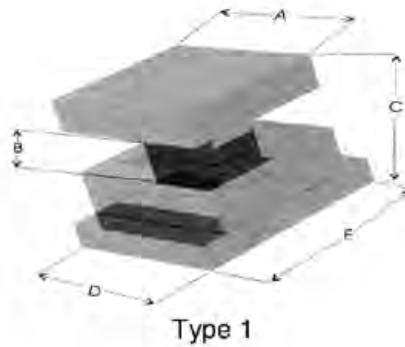
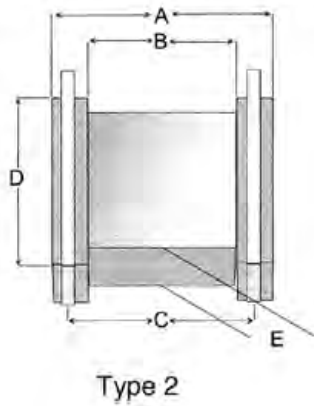


Miscellaneous Core Geometries

MMG-North America is capable of providing custom components to meet specific design requirements. Utilizing the continuously variable length dimension of existing tooling and the high precision of our state-of-the-art automated presses we can provide special length parts. If more radical geometries are required MMG has expert tool designers who can produce complete tooling to press required designs. Represented below are some special ferrite part designs. If you require a geometry not represented in this catalog please speak with our sales department. We will work with you to provide the most cost-effective way to meet your design requirements.



Core Part No.	Units	Type	Dimension A	Dimension B	Dimension C	Dimension D	Dimension E
HOI-75AQ-6FM2P	in	2	0.375	0.225	0.300	0.250	0.050
	mm		9.525	5.715	7.620	6.350	1.270
SFI-3F4V-1Q1/1	in	1	0.125	0.050	0.140	0.121	0.170
	mm		3.175	1.270	3.556	3.074	4.318
S52-152A-1QR/1	in	R	0.040	0.080	0.046	0.018	—
	mm		1.016	2.032	1.168	0.457	—
SB2-2530-0V1/1	in	1	0.075	0.030	0.700	0.075	0.105
	mm		1.905	0.762	17.780	1.905	2.667