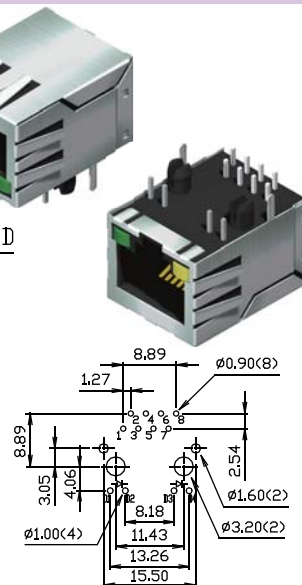
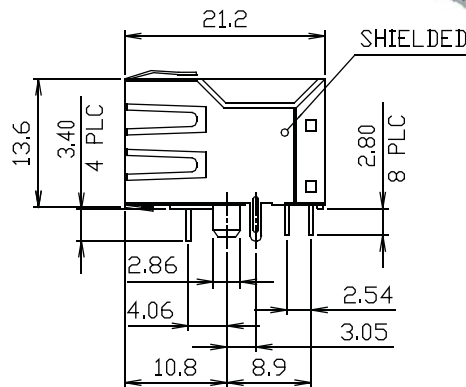
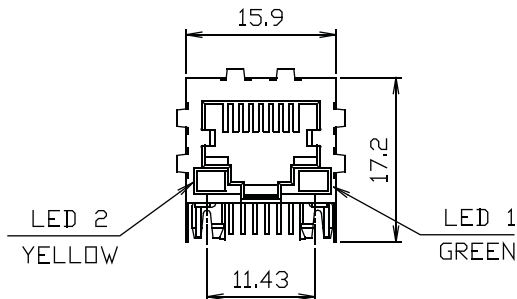


Modular Jack Shielded Side Entry With LED H=13.6 W=21.2

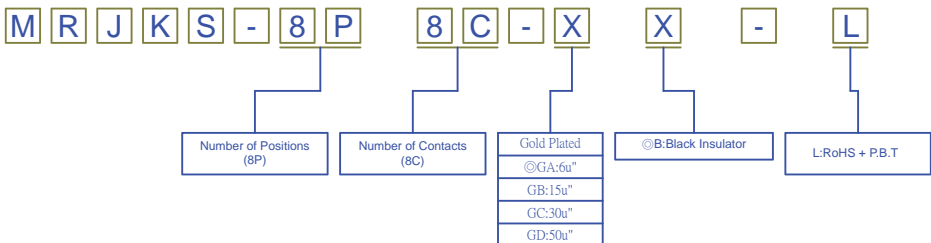
Material&Finish

Housing:Glass Fiber, P.B.T, UL 94V-0
 Contact :0.35mm Thickness Phosphor Bronze,
 Gold Plated Over Nickel on Contact Area.



Recommended PCB Layout
 (PCB TOLERANCE ±0.05)

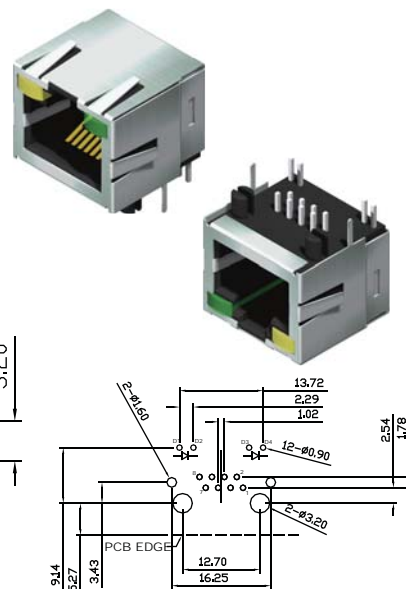
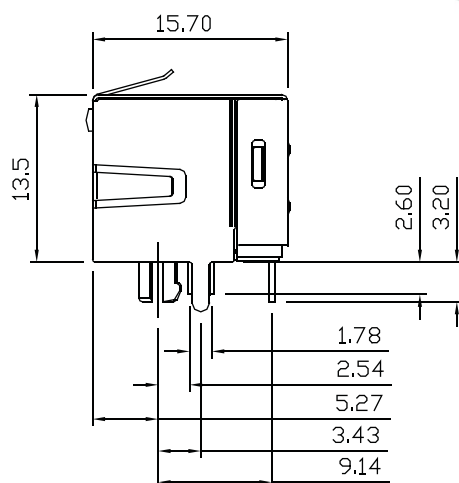
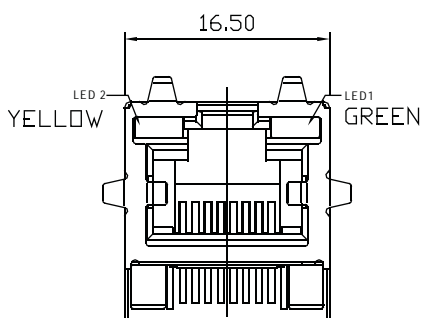
Order Information



Modular Jack Shielded Side Entry With LED H=13.5 W=15.7

Material&Finish

Housing:Glass Fiber, P.B.T, UL 94V-0
 Contact :0.35mm Thickness Phosphor Bronze,
 Gold Plated Over Nickel on Contact Area.



Recommended PCB Layout
 (PCB TOLERANCE ±0.05)

Order Information

