



FEATURES

UL E197475

- Dielectric: Metallized polypropylene film
- Winding: non-inductive type
- Protection: Flame retardant plastic case and epoxy resin (UL-class 94V-0)
- Self-healing property.
- Over voltage stress withstanding.

SPECIFICATIONS

1. Operating temperature	: -40°C to +110°C		
2. Rated Voltage	: 310VAC, 330VAC, 350VAC, 380VAC, 440VAC, 480VAC, 500VAC at 50/60HZ		
4. Capacitance range	Rated Voltage	Resistance	
	310/330/350/380VAC	0.0047μF~ 10.0μF	
	440/480/500VAC	0.0047μF~ 4.0μF	
5. Capacitance tolerance	: ±5%(J), ±10%(K), ±20%(M)		
6. Dissipation factor (tanδ)	: ≤0.1% at 1KHz, 20°C, 1.0VAC		
7. Insulation resistance (Between terminals)	: ≥3x10 ⁴ MΩ (C≤0.33μF); ≥1X10 ⁴ MΩ/μF (C>0.33μF) (at 20°C, 100±15VDC, 60s)		
8. Withstanding Voltage	Voltage	Between Terminals	Cut-Off Current
	310/330/350/380VAC	2100VDC for 1 Sec.	10mA
	440VAC	2400VDC For 1 Sec.	10mA
	480/500VAC	2700VDC for 1 Sec.	10mA
			Between Terminals and Case
			2260VAC 60Hz for 60 Sec.
			2380VAC 60Hz For 60 Sec.
			2500VAC 60Hz for 60 Sec.
10. Humidity category	: Average relative humidity ≤ 75% 95% for 30 days per year continuously 85% for the remaining days occasionally		

PART NUMBERING SYSTEM

Meritek Series Capacitance

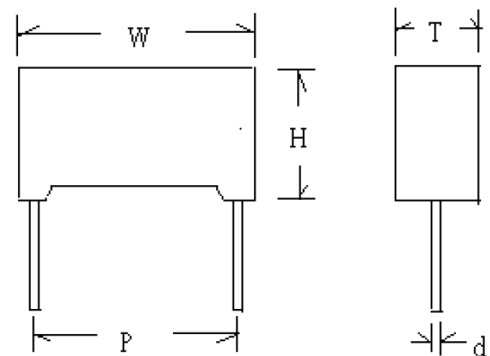
Capacitance expressed in picofarads (pF).
First two digits are significant figures.
Third digit denotes number of zeros.

Tolerance: K=±10%

Rated Voltage: 500 VAC

* Notes: A suffix may be added to denote custom features.

ME1X 225 K 500VAC



DIMENSIONS

310VAC

Unit: mm

P/N	SIZE					
	μF	W±0.5	H±0.5	T±0.5	P±0.5	D±0.05
ME1X472K310VACS	0.0047	13	11	5	10	0.6
ME1X472K310VAC	0.0047	18	10	5	15	0.8
ME1X103K310VACS	0.01	13	11	5	10	0.6
ME1X103K310VAC	0.01	18	10	5	15	0.8
ME1X153K310VAC	0.015	18	10	5	15	0.8

EMI Suppression Capacitors



ME1X Series

Class-X1

MERITEK

310VAC

Unit: mm

P/N	SIZE	W±0.5	H±0.5	T±0.5	P±0.5	D±0.05
	μF					
ME1X223K310VACS	0.022	13	11	5	10	0.6
ME1X223K310VAC	0.022	17	11	5.5	15	0.8
ME1X333K310VACS	0.033	13	11	5	10	0.6
ME1X333K310VAC	0.033	18	10	5	15	0.8
ME1X473K310VACS	0.047	13	11	5	10	0.6
ME1X473K310VAC	0.047	18	10	5	15	0.8
ME1X563K310VAC	0.056	13	12	6	10	0.6
ME1X683K310VACS	0.068	13	12	6	10	0.6
ME1X683K310VAC	0.068	18	10	5	15	0.8
ME1X823K310VAC	0.082	17	11	5.5	15	0.8
ME1X104K310VACS	0.1	13	12	6	10	0.6
ME1X104K310VAC	0.1	17	11	5.5	15	0.8
ME1X154M310VACS	0.15	13	12	6	10	0.6
ME1X154K310VAC	0.15	18	13.5	6	15	0.8
ME1X224M310VACS	0.22	12	14	8	10	0.6
ME1X224K310VAC	0.22	17	15.5	7.5	15	0.8
ME1X334K310VACS	0.33	17	16.5	9.5	15	0.8
ME1X334K310VAC	0.33	26.5	16.5	7	22.5	0.8
ME1X474K310VACS	0.47	17	19	11	15	0.8
ME1X474K310VAC	0.47	26.5	17	8.5	22.5	0.8
ME1X564K310VAC	0.56	26.5	19	10	22.5	0.8
ME1X684M310VACS	0.68	17	21	12	15	0.8
ME1X684K310VAC	0.68	26.5	19	10	22.5	0.8
ME1X824K310VAC	0.82	31.5	20	11	27.5	0.8
ME1X105K310VACS	1.0	25	23.5	14	22.5	0.8
ME1X105K310VAC	1.0	30	21	11.5	27.5	0.8
ME1X125K310VAC	1.2	31.5	25	14	27.5	0.8
ME1X155K310VAC	1.5	31.5	25	14	27.5	0.8
ME1X185K310VAC	1.8	37	26.5	16	32.5	0.8
ME1X225K310VACS	2.2	32	26.5	18	27.5	0.8
ME1X225K310VAC	2.2	37	26.5	16	32.5	0.8
ME1X275K310VAC	2.7	37	28.5	18	32.5	0.8
ME1X335K310VAC	3.3	37	34	22	32.5	0.8
ME1X395K310VAC	3.9	51	27.5	17.5	47.5	0.8
ME1X475K310VAC	4.7	51	30.5	20	47.5	0.8
ME1X685K310VAC	6.8	51	34	22.5	47.5	0.8
ME1X825K310VAC	8.2	51	37	24	47.5	0.8
ME1X106K310VAC	10	51	43.5	29	47.5	0.8

* Notes: Customized dimensions might be available upon request.

EMI Suppression Capacitors

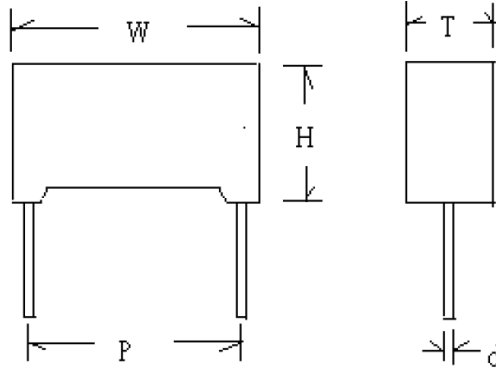


ME1X Series

Class-X1

MERITEK

330VAC



Unit: mm

P/N	SIZE	W±0.5	H±0.5	T±0.5	P±0.5	D±0.05
	μF					
ME1X472K330VACS	0.0047	13	11	5	10	0.6
ME1X472K330VAC	0.0047	18	10	5	15	0.8
ME1X103K330VACS	0.01	13	11	5	10	0.6
ME1X103K330VAC	0.01	18	10	5	15	0.8
ME1X153K330VACS	0.015	13	11	5	10	0.6
ME1X153K330VAC	0.015	18	10	5	15	0.8
ME1X223K330VACS	0.022	13	11	5	10	0.6
ME1X223K330VAC	0.022	17	11	5.5	15	0.8
ME1X333K330VACS	0.033	13	11	5	10	0.6
ME1X333K330VAC	0.033	18	10	5	15	0.8
ME1X473K330VACS	0.047	13	12	6	10	0.6
ME1X473K330VAC	0.047	18	10	5	15	0.8
ME1X683K330VACS	0.068	12	14	8	10	0.6
ME1X683K330VAC	0.068	17	11	5.5	15	0.8
ME1X823K330VAC	0.082	18	12	6	15	0.8
ME1X104K330VAC	0.1	18	13.5	6	15	0.8
ME1X154K330VAC	0.15	17	15.5	7.5	15	0.8
ME1X224K330VACS	0.22	18	16.5	8.5	15	0.8
ME1X224K330VAC	0.22	26.5	16.5	7	22.5	0.8
ME1X334K330VACS	0.33	17	19	11	15	0.8
ME1X334K330VAC	0.33	26.5	17	8.5	22.5	0.8
ME1X474K330VACS	0.47	26.5	19	10	22.5	0.8
ME1X474K330VAC	0.47	31.5	20	11	27.5	0.8
ME1X564K330VACS	0.56	26	22	12	22.5	0.8
ME1X564K330VAC	0.56	31.5	20	11	27.5	0.8
ME1X684K330VACS	0.68	26	22	12	22.5	0.8
ME1X684K330VAC	0.68	31.5	20	11	27.5	0.8
ME1X824K330VAC	0.82	31.5	22.5	13	27.5	0.8
ME1X105K330VACS	1.0	31.5	22.5	13	27.5	0.8
ME1X105K330VAC	1.0	37	24	13.5	32.5	0.8

* Notes: Customized dimensions might be available upon request.

EMI Suppression Capacitors

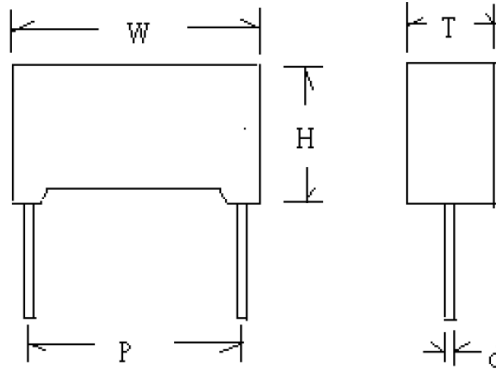


ME1X Series

Class-X1

MERITEK

350VAC



Unit: mm

P/N	SIZE	W±0.5	H±0.5	T±0.5	P±0.5	D±0.05
	μF					
ME1X472K350VACS	0.0047	13	11	5	10	0.6
ME1X472K350VAC	0.0047	18	10	5	15	0.8
ME1X103K350VACS	0.01	13	11	5	10	0.6
ME1X103K350VAC	0.01	18	10	5	15	0.8
ME1X153K350VACS	0.015	13	11	5	10	0.6
ME1X153K350VAC	0.015	18	10	5	15	0.8
ME1X223K350VACS	0.022	13	11	5	10	0.6
ME1X223K350VAC	0.022	17	11	5.5	15	0.8
ME1X333K350VACS	0.033	13	11	5	10	0.6
ME1X333K350VAC	0.033	18	10	5	15	0.8
ME1X473K350VACS	0.047	13	12	6	10	0.6
ME1X473K350VAC	0.047	18	10	5	15	0.8
ME1X683K350VACS	0.068	12	14	8	10	0.6
ME1X683K350VAC	0.068	17	11	5.5	15	0.8
ME1X823K350VAC	0.082	18	12	6	15	0.8
ME1X104K350VAC	0.1	18	13.5	6	15	0.8
ME1X154K350VAC	0.15	17	15.5	7.5	15	0.8
ME1X224K350VACS	0.22	18	16.5	8.5	15	0.8
ME1X224K350VAC	0.22	26.5	16.5	7	22.5	0.8
ME1X334K350VACS	0.33	17	19	11	15	0.8
ME1X334K350VAC	0.33	26.5	17	8.5	22.5	0.8
ME1X474K350VACS	0.47	26.5	19	10	22.5	0.8
ME1X474K350VAC	0.47	31.5	20	11	27.5	0.8
ME1X564K350VACS	0.56	26	22	12	22.5	0.8
ME1X564K350VAC	0.56	31.5	20	11	27.5	0.8
ME1X684K350VACS	0.68	26	22	12	22.5	0.8
ME1X684K350VAC	0.68	31.5	20	11	27.5	0.8
ME1X824K350VAC	0.82	31.5	22.5	13	27.5	0.8
ME1X105K350VACS	1.0	31.5	22.5	13	27.5	0.8
ME1X105K350VAC	1.0	37	24	13.5	32.5	0.8

* Notes: Customized dimensions might be available upon request.

EMI Suppression Capacitors

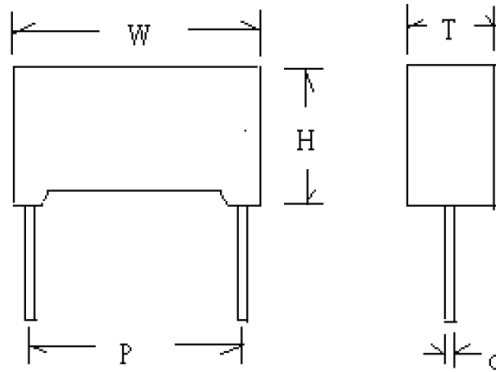


ME1X Series

Class-X1

MERITEK

380VAC



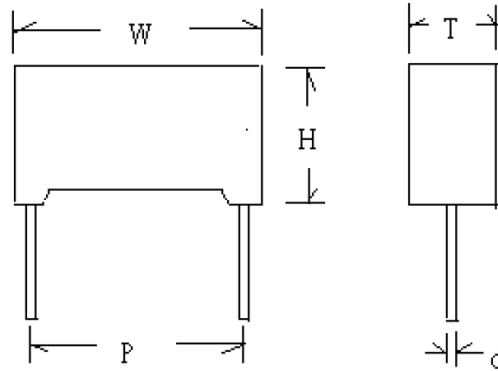
Unit: mm

P/N	SIZE	W±0.5	H±0.5	T±0.5	P±0.5	D±0.05
	μF					
ME1X472K380VACS	0.0047	13	11	5	10	0.6
ME1X472K380VAC	0.0047	18	10	5	15	0.8
ME1X103K380VACS	0.01	13	11	5	10	0.6
ME1X103K380VAC	0.01	18	10	5	15	0.8
ME1X153K380VACS	0.015	13	11	5	10	0.6
ME1X153K380VAC	0.015	18	10	5	15	0.8
ME1X223K380VACS	0.022	13	11	5	10	0.6
ME1X223K380VAC	0.022	17	11	5.5	15	0.8
ME1X333K380VACS	0.033	13	11	5	10	0.6
ME1X333K380VAC	0.033	18	10	5	15	0.8
ME1X473K380VACS	0.047	13	12	6	10	0.6
ME1X473K380VAC	0.047	18	10	5	15	0.8
ME1X683K380VACS	0.068	12	14	8	10	0.6
ME1X683K380VAC	0.068	17	11	5.5	15	0.8
ME1X823K380VAC	0.082	18	12	6	15	0.8
ME1X104K380VAC	0.1	18	13.5	6	15	0.8
ME1X154K380VAC	0.15	17	15.5	7.5	15	0.8
ME1X224K380VACS	0.22	18	16.5	8.5	15	0.8
ME1X224K380VAC	0.22	26.5	16.5	7	22.5	0.8
ME1X334K380VACS	0.33	17	19	11	15	0.8
ME1X334K380VAC	0.33	26.5	17	8.5	22.5	0.8
ME1X474K380VACS	0.47	26.5	19	10	22.5	0.8
ME1X474K380VAC	0.47	31.5	20	11	27.5	0.8
ME1X564K380VACS	0.56	26	22	12	22.5	0.8
ME1X564K380VAC	0.56	31.5	20	11	27.5	0.8
ME1X684K380VACS	0.68	26	22	12	22.5	0.8
ME1X684K380VAC	0.68	31.5	20	11	27.5	0.8
ME1X824K380VAC	0.82	31.5	22.5	13	27.5	0.8
ME1X105K380VACS	1.0	31.5	22.5	13	27.5	0.8
ME1X105K380VAC	1.0	37	24	13.5	32.5	0.8

* Notes: Customized dimensions might be available upon request.



440VAC



Unit: mm

P/N	SIZE					
	μF	$W \pm 0.5$	$H \pm 0.5$	$T \pm 0.5$	$P \pm 0.5$	$D \pm 0.05$
ME1X472K440VACS	0.0047	13	11	5	10	0.6
ME1X472K440VAC	0.0047	18	10	5	15	0.8
ME1X562K440VACS	0.0056	13	11	5	10	0.6
ME1X562K440VAC	0.0056	18	10	5	15	0.8
ME1X682K440VACS	0.0068	13	11	5	10	0.6
ME1X682K440VAC	0.0068	18	10	5	15	0.8
ME1X822K440VACS	0.0082	13	11	5	10	0.6
ME1X822K440VAC	0.0082	18	10	5	15	0.8
ME1X103K440VACS	0.01	13	11	5	10	0.6
ME1X103K440VAC	0.01	18	10	5	15	0.8
ME1X123K440VACS	0.012	13	11	5	10	0.6
ME1X123K440VAC	0.012	18	10	5	15	0.8
ME1X153K440VACS	0.015	13	12	6	10	0.6
ME1X153K440VAC	0.015	18	10	5	15	0.8
ME1X183K440VACS	0.018	13	12	6	10	0.6
ME1X183K440VAC	0.018	18	10	5	15	0.8
ME1X223K440VACS	0.022	12	14	8	10	0.6
ME1X223K440VAC	0.022	17	11	5.5	15	0.8
ME1X273K440VACS	0.027	12	14	8	10	0.6
ME1X273K440VAC	0.027	17	11	5.5	15	0.8
ME1X333K440VAC	0.033	18	12	6	15	0.8
ME1X393K440VAC	0.039	18	13.5	6	15	0.8
ME1X473K440VAC	0.047	18	13.5	6	15	0.8
ME1X563K440VACS	0.056	18	13.5	7.5	15	0.8
ME1X563K440VAC	0.056	25	14.5	6	22.5	0.8
ME1X683K440VACS	0.068	17	15.5	7.5	15	0.8
ME1X683K440VAC	0.068	25	14.5	6	22.5	0.8
ME1X823K440VACS	0.082	18	16.5	8.5	15	0.8
ME1X823K440VAC	0.082	25	14.5	6	22.5	0.8
ME1X104K440VACS	0.1	17	16.5	9.5	15	0.8

EMI Suppression Capacitors



ME1X Series

Class-X1

MERITEK

440VAC

Unit: mm

P/N	SIZE	W±0.5	H±0.5	T±0.5	P±0.5	D±0.05
	μF					
ME1X104K440VAC	0.1	26.5	16.5	7	22.5	0.8
ME1X124K440VACS	0.12	17	19	11	15	0.8
ME1X124K440VAC	0.12	26.5	16.5	7	22.5	0.8
ME1X154K440VACS	0.15	17	19	11	15	0.8
ME1X154K440VAC	0.15	26.5	17	8.5	22.5	0.8
ME1X184K440VACS	0.18	17	21	12	15	0.8
ME1X184K440VAC	0.18	25	19	8.5	22.5	0.8
ME1X224K440VACS	0.22	26.5	19	10	22.5	0.8
ME1X224K440VAC	0.22	31.5	20	11	27.5	0.8
ME1X274K440VACS	0.27	26	22	12	22.5	0.8
ME1X274K440VAC	0.27	31.5	20	11	27.5	0.8
ME1X334K440VACS	0.33	26	22	12	22.5	0.8
ME1X334K440VAC	0.33	30	21	11.5	27.5	0.8
ME1X394K440VACS	0.39	25	23.5	14	22.5	0.8
ME1X394K440VAC	0.39	31.5	22.5	13	27.5	0.8
ME1X474K440VACS	0.47	31.5	25	14	27.5	0.8
ME1X474K440VAC	0.47	37	24	13.5	32.5	0.8
ME1X564K440VACS	0.56	31.5	25	14	27.5	0.8
ME1X564K440VAC	0.56	37	24	13.5	32.5	0.8
ME1X604K440VACS	0.60	31	26	18	27.5	0.8
ME1X604K440VAC	0.60	37	24	13.5	32.5	0.8
ME1X684K440VACS	0.68	31	26	18	27.5	0.8
ME1X684K440VAC	0.68	37	26.5	16	32.5	0.8
ME1X824K440VACS	0.82	31.5	33	18	27.5	0.8
ME1X824K440VAC	0.82	37	26.5	16	32.5	0.8
ME1X105K440VACS	1.0	31.5	33	18	27.5	0.8
ME1X105K440VAC	1.0	37	28.5	18	32.5	0.8
ME1X125K440VACS	1.2	35.5	31	20	32.5	0.8
ME1X125K440VAC	1.2	51	27.5	17.5	47.5	0.8
ME1X155K440VACS	1.5	37	34	22	32.5	0.8
ME1X155K440VAC	1.5	51	30.5	20	47.5	0.8
ME1X185K440VAC	1.8	51	30.5	20	47.5	0.8
ME1X205K440VAC	2.0	51	34	22	47.5	0.8
ME1X225K440VAC	2.2	51	34	22	47.5	0.8
ME1X275K440VAC	2.7	51	35	24	47.5	0.8
ME1X305K440VAC	3.0	51	43.5	29	47.5	0.8
ME1X335K440VAC	3.3	51	43.5	29	47.5	0.8
ME1X395K440VAC	3.9	51	43.5	29	47.5	0.8
ME1X405K440VAC	4.0	51	43.5	29	47.5	0.8

* Notes: Customized dimensions might be available upon request.

EMI Suppression Capacitors



ME1X Series

Class-X1

MERITEK

480VAC

Unit: mm

P/N	SIZE	W±0.5	H±0.5	T±0.5	P±0.5	D±0.05
	μF					
ME1X472K480VACS	0.0047	13	11	5	10	0.6
ME1X472K480VAC	0.0047	18	10	5	15	0.8
ME1X103K480VACS	0.01	13	11	5	10	0.6
ME1X103K480VAC	0.01	18	10	5	15	0.8
ME1X153K480VACS	0.015	13	12	6	10	0.6
ME1X153K480VAC	0.015	18	10	5	15	0.8
ME1X183K480VACS	0.018	13	12	6	10	0.6
ME1X183K480VAC	0.018	18	10	5	15	0.8
ME1X223K480VACS	0.022	12	14	8	10	0.6
ME1X223K480VAC	0.022	17	11	5.5	15	0.8
ME1X333K480VAC	0.033	18	12	6	15	0.8
ME1X473K480VAC	0.047	18	13.5	6	15	0.8
ME1X683K480VACS	0.068	17	15.5	7.5	15	0.8
ME1X683K480VAC	0.068	25	14.5	6	22.5	0.8
ME1X823K480VACS	0.082	18	16.5	8.5	15	0.8
ME1X823K480VAC	0.082	25	14.5	6	22.5	0.8
ME1X104K480VACS	0.1	17	16.5	9.5	15	0.8
ME1X104K480VAC	0.1	26.5	16.5	7	22.5	0.8
ME1X154K480VACS	0.15	17	19	11	15	0.8
ME1X154K480VAC	0.15	26.5	17	8.5	22.5	0.8
ME1X184K480VACS	0.18	17	21	12	15	0.8
ME1X184K480VAC	0.18	25	19	8.5	22.5	0.8
ME1X224K480VACS	0.22	26.5	19	10	22.5	0.8
ME1X224K480VAC	0.22	31.5	20	11	27.5	0.8
ME1X334K480VACS	0.33	26	22	12	22.5	0.8
ME1X334K480VAC	0.33	30	21	11.5	27.5	0.8
ME1X474K480VACS	0.47	31.5	25	14	27.5	0.8
ME1X474K480VAC	0.47	37	24	13.5	32.5	0.8
ME1X564K480VACS	0.56	31.5	25	14	27.5	0.8
ME1X564K480VAC	0.56	37	24	13.5	32.5	0.8
ME1X684K480VACS	0.68	31	26	18	27.5	0.8
ME1X684K480VAC	0.68	37	26.5	16	32.5	0.8
ME1X824K480VACS	0.82	31.5	33	18	27.5	0.8
ME1X824K480VAC	0.82	37	26.5	16	32.5	0.8
ME1X105K480VACS	1.0	31.5	33	18	27.5	0.8
ME1X105K480VAC	1.0	37	28.5	18	32.5	0.8
ME1X155K480VACS	1.5	37	34	22	32.5	0.8
ME1X155K480VAC	1.5	51	30.5	20	47.5	0.8
ME1X225K480VAC	2.2	51	34	22	47.5	0.8
ME1X335K480VAC	3.3	51	43.5	29	47.5	0.8

* Notes: Customized dimensions might be available upon request.

EMI Suppression Capacitors

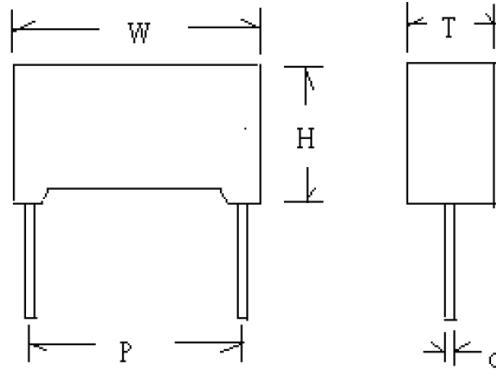


ME1X Series

Class-X1

MERITEK

500VAC



Unit: mm

P/N	SIZE	W±0.5	H±0.5	T±0.5	P±0.5	D±0.05
	μF					
ME1X472K500VACS	0.0047	13	11	5	10	0.6
ME1X472K500VAC	0.0047	18	10	5	15	0.8
ME1X562K500VACS	0.0056	13	11	5	10	0.6
ME1X562K500VAC	0.0056	18	10	5	15	0.8
ME1X682K500VACS	0.0068	13	11	5	10	0.6
ME1X682K500VAC	0.0068	18	10	5	15	0.8
ME1X822K500VACS	0.0082	13	11	5	10	0.6
ME1X822K500VAC	0.0082	18	10	5	15	0.8
ME1X103K500VACS	0.01	13	11	5	10	0.6
ME1X103K500VAC	0.01	18	10	5	15	0.8
ME1X153K500VACS	0.015	13	12	6	10	0.6
ME1X153K500VAC	0.015	18	10	5	15	0.8
ME1X183K500VACS	0.018	13	12	6	10	0.6
ME1X183K500VAC	0.018	18	10	5	15	0.8
ME1X223K500VACS	0.022	12	14	8	10	0.6
ME1X223K500VAC	0.022	17	11	5.5	15	0.8
ME1X273K500VACS	0.027	12	14	8	10	0.6
ME1X273K500VAC	0.027	17	11	5.5	15	0.8
ME1X333K500VAC	0.033	18	12	6	15	0.8
ME1X473K500VAC	0.047	18	13.5	6	15	0.8
ME1X563K500VACS	0.056	18	13.5	7.5	15	0.8
ME1X563K500VAC	0.056	25	14.5	6	22.5	0.8
ME1X683K500VACS	0.068	17	15.5	7.5	15	0.8
ME1X683K500VAC	0.068	25	14.5	6	22.5	0.8
ME1X823K500VACS	0.082	18	16.5	8.5	15	0.8
ME1X823K500VAC	0.082	25	14.5	6	22.5	0.8
ME1X104K500VACS	0.1	17	16.5	9.5	15	0.8
ME1X104K500VAC	0.1	26.5	16.5	7	22.5	0.8
ME1X124K500VACS	0.12	17	19	11	15	0.8
ME1X124K500VAC	0.12	26.5	16.5	7	22.5	0.8

EMI Suppression Capacitors



ME1X Series

Class-X1

MERITEK

500VAC

Unit: mm

P/N	SIZE	W±0.5	H±0.5	T±0.5	P±0.5	D±0.05
	μF					
ME1X154K500VACS	0.15	17	19	11	15	0.8
ME1X154K500VAC	0.15	26.5	17	8.5	22.5	0.8
ME1X184K500VACS	0.18	17	21	12	15	0.8
ME1X184K500VAC	0.18	25	19	8.5	22.5	0.8
ME1X224K500VACS	0.22	26.5	19	10	22.5	0.8
ME1X224K500VAC	0.22	31.5	20	11	27.5	0.8
ME1X274K500VACS	0.27	26	22	12	22.5	0.8
ME1X274K500VAC	0.27	31.5	20	11	27.5	0.8
ME1X334K500VACS	0.33	26	22	12	22.5	0.8
ME1X334K500VAC	0.33	30	21	11.5	27.5	0.8
ME1X394K500VACS	0.39	25	23.5	14	22.5	0.8
ME1X394K500VAC	0.39	31.5	22.5	13	27.5	0.8
ME1X474K500VACS	0.47	31.5	25	14	27.5	0.8
ME1X474K500VAC	0.47	37	24	13.5	32.5	0.8
ME1X564K500VACS	0.56	31.5	25	14	27.5	0.8
ME1X564K500VAC	0.56	37	24	13.5	32.5	0.8
ME1X604K500VACS	0.6	31	26	18	27.5	0.8
ME1X604K500VAC	0.6	37	24	13.5	32.5	0.8
ME1X684K500VACS	0.68	31	26	18	27.5	0.8
ME1X684K500VAC	0.68	37	26.5	16	32.5	0.8
ME1X824K500VACS	0.82	31.5	33	18	27.5	0.8
ME1X824K500VAC	0.82	37	26.5	16	32.5	0.8
ME1X105K500VACS	1.0	31.5	33	18	27.5	0.8
ME1X105K500VAC	1.0	37	28.5	18	32.5	0.8
ME1X125K500VACS	1.2	35.5	31	20	32.5	0.8
ME1X125K500VAC	1.2	51	27.5	17.5	47.5	0.8
ME1X155K500VACS	1.5	37	34	22	32.5	0.8
ME1X155K500VAC	1.5	51	30.5	20	47.5	0.8
ME1X185K500VAC	1.8	51	30.5	20	47.5	0.8
ME1X205K500VAC	2.0	51	34	22	47.5	0.8
ME1X225K500VAC	2.2	51	34	22	47.5	0.8
ME1X275K500VAC	2.7	51	35	24	47.5	0.8
ME1X305K500VAC	3.0	51	43.5	29	47.5	0.8
ME1X335K500VAC	3.3	51	43.5	29	47.5	0.8
ME1X395K500VAC	3.9	51	43.5	29	47.5	0.8
ME1X405K500VAC	4.0	51	43.5	29	47.5	0.8

* Notes: Customized dimensions might be available upon request.