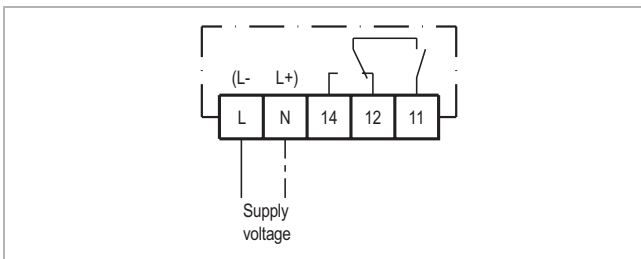


INT511[®] Air flow monitor

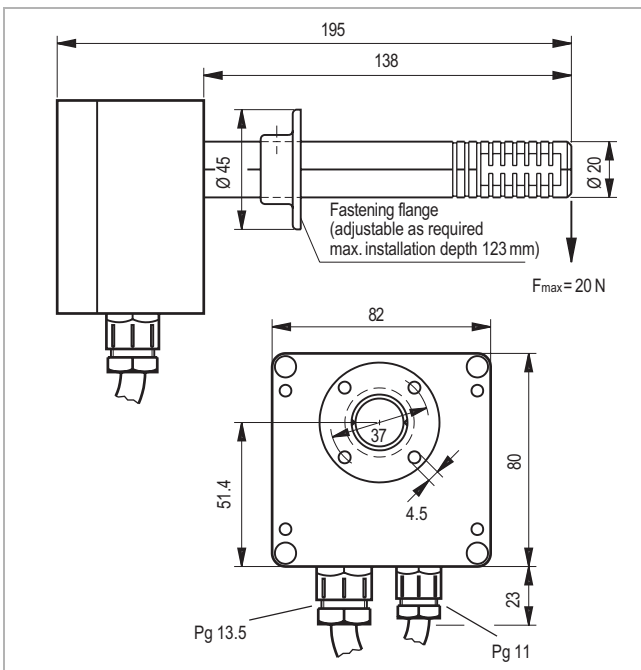
INT511[®]



INT511



Wiring diagram



Dimensions in mm

Application

The KRIWAN INT511 air flow monitor is used for air flow monitoring in building technology, e.g. for monitoring of:

- Filters
- Ventilators
- Air supply / Exhaust air
- Electric air heaters
- Humidifiers
- Exhaust ducts of canteen kitchens
- Regulating flaps

Functional description

The KRIWAN INT511 air flow monitor monitors air flow speeds in the range of 0.2-8m/s according to the calorimetric principle (with temperature compensation).

Using the built-in potentiometer, the switching point can be selected within the setting range (left limit = least air flow).

The relay functions are indicated by an LED (green = flow > set value, or starting transition time).


The relay switches after 1s, the yellow LED indicates the active operating status.

During the starting transition time as well as when the flow is > set value, the contact 11-14 is switched. When the flow is < set value, contact 11-12 is closed after the starting transition time.

Installation note

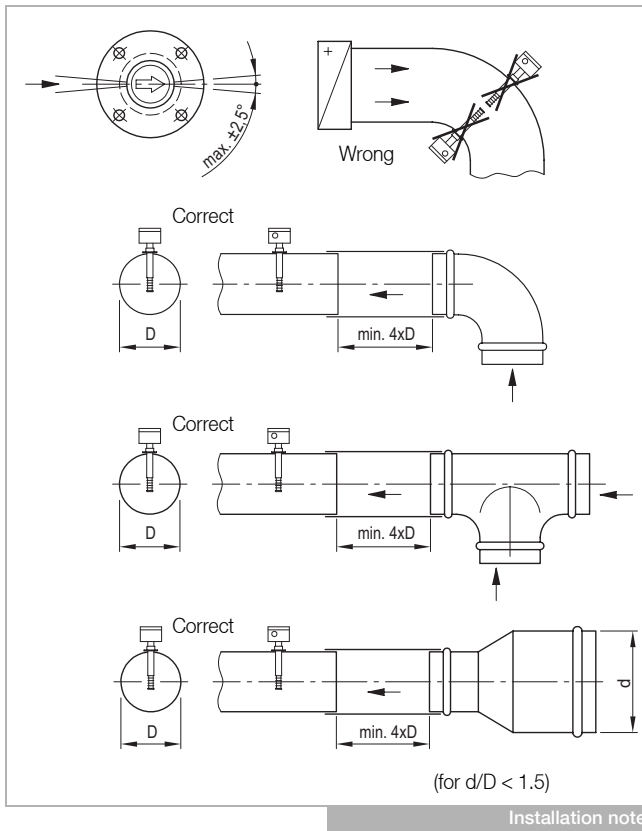
To avoid evaluation errors, the following points should be observed when selecting the installation location:

- Install the sensor only for the medium air
- Do not touch the sensor in the area of the sensor opening
- Install where there is little turbulent flow
- Do not install the sensor directly behind heat exchanger
- Soil deposits of all kinds, in particular wetting by water, need to be avoided

 The mounting, maintenance and operation are to be carried out by an electrician. The valid European and national standards for connecting electrical equipment have to be observed. Connected sensors and connection lines that extend from the terminal box have to feature at least a basic insulation.

INT511[®] Air flow monitor

INT511[®]



Adjustment

1. Remove the clear cap of the connection box.
2. Turn the potentiometer all the way to the right with a suitable screwdriver. Switch the system on. The yellow (operation display) and the green LEDs (OK status) light up. If that is not the case, check the mains connection.
3. Wait for the starting transition time of about 120s to pass. An adjustment is not possible before the starting transition time has passed.
4. Turn the potentiometer anti-clockwise during lowest ventilator speed until the green LED goes out (if the green LED does not go out, then the starting transition time is still active, see point 3) and then turn it back clockwise until the green LED lights up again. To avoid error messages, turn the potentiometer clockwise for about 30° more (alarm is signalled at lesser air flow speeds).

Technical specifications

Supply voltage	DC 24V ±20% 3VA
- 13 N 142	AC 50/60Hz 24V ±10% 3VA
- 31 N 142	AC 50/60Hz 230V ±10% 3VA
- 52 N 142	
Permitted ambient temperature	-20...+60°C
Permitted rel. humidity	0-80% r.h.
Monitoring range	0.2-8m/s adjustable
Max. permissible flow speed	35m/s
Switching hysteresis	Approx. 0.5m/s
Starting transition time	Approx. 120s
Settling time after the end of the starting transition time	From about 5s in the upper spectrum to about 40s in the lower spectrum of the monitoring range
Relay	
- Contact	AC 250V, max. 5A, 300VA ind.
- Mechanical service life	Approx. 1 million switching cycles
Protection class acc. to EN 60529	
- Connection box	IP65
- Sensor	IP20
Connection type	Screw type terminal
Housing material	
- Connection box	PC
- Sensor	PA glass-fibre-reinforced
Mounting	Fastening flange on the sensor pipe
Mounting position of the sensor pipe	90° in direction of flow Opening slits in direction of flow Observe the direction of flow
Dimensions	Refer to dimensions in mm
Weight	Approx. 450g

Order data

INT511 (DC 24V)	13 N 142
INT511 (AC 24V)	31 N 142
INT511 (AC 230V)	52 N 142

Technical changes reserved