



贝特卫士®

更好的电路安全卫士!
You build electronics. We safeguard them!

承 认 书

APPROVAL SHEET

编号 No.	7171500800-A/1-B
日期 Date	2020.11.24

客 户 Customer	
-----------------	--

品 名 Product	Automotive Fuse
系 列 Series	717 Series

料号 Part No.	规格描述 Specification	备注 Remark
贝特电子 Betterfuse		
客 户 Customer		

环保特别提示 Special instructions for environmental protection
本产品:

供应商-贝特电子 Supplier-Betterfuse	零件承认章 Approval Signet	客 户 Customer	零件承认章 Approval Signet
制 作 Make			
审 核 Check			
确 认 Approval			

联络 Contact			
业务 Sales	电话 Telephone	手机 Cellphone	邮箱 E-mail
零件承认后敬请回签一份给我司留存, 或将承认后的封面传真 (0769-8352 1857) 至我司, 谢谢!			



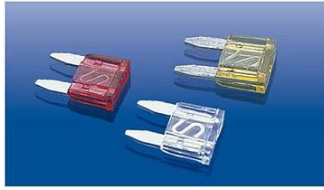
Document Record						
No.	Date	Modified Content	Page	Edition	Prepared/modified by	Checked by
1	2017.11.21	Draft		A/0	J.Q.	Fei Gao
2	2020.11.24	Update Current		A/1	YaLan Wang	Fei Gao
3						
4						
5						
6						
7						
8						
9						
10						
11						
12						

TABLE OF CONTENTS

1. SCOPE AND DESCRIPTION.....	3
2. GENERAL INFORMATION.....	3
3. AGENCY APPROVALS.....	3
4. PART NUMBERING SYSTEM.....	4
5. MECHANICAL SPECIFICATIONS.....	5
6. ELECTRICAL SPECIFICATIONS.....	6
7. ORDERING INFORMATION.....	7



1. SCOPE AND DESCRIPTION



Following electronic product specifications apply to fuses of the 717 series. The 717 series is a Quick Acting type Mid Blade fuse for over-current protection.

Its main applications are for car.

2. GENERAL INFORMATION

General Description

717 Quick Acting (F) Low breaking capacity fuse protection for the automotive industry. The 717 with a 32V DC rating and 1000A Ampere breaking capacity offers excellent assurance with its 100% cold Resistance, and length testing.

Detailed Features

- 717 for the automotive industry,
- Low internal resistance.
- UL248 Special Purpose Fuses(1A – 40A).
- RoHS compliant and HF.

3. AGENCY APPROVALS

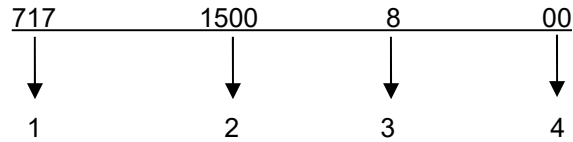
Agency	Agency File Number	Ampere/ Voltage Range



4. PART NUMBERING SYSTEM

4.1 Part Number

Example: 7171500800



1	Product Series	717
2	Ampere Rating/ Code	5A (see table 4.3 below)
3	Voltage Rating	8 – 32V
4	Packaging Code	See table 4.2 below

4.2 Packaging Code Table

CODE	DESIGNATION
00	Bulk (1000PCS)

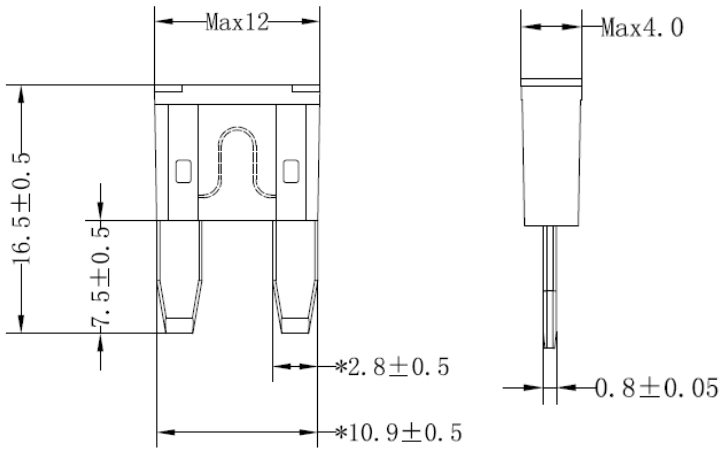
4.3. Ampere Rating Table

AMP CODE	CURRENT RATING	VOLTAGE RATING
1100	1.00	32V
1200	2.00	32V
1300	3.00	32V
1400	4.00	32V
1500	5.00	32V
1750	7.50	32V
2100	10.0	32V
2150	15.0	32V
2200	20.0	32V
2250	25.0	32V
2300	30.0	32V
2350	35.0	32V
2400	40.0	32V



5. MECHANICAL SPECIFICATIONS

Dimensions (unit: mm)



Operating Temperature:

-25°C to 85°C

Storage Conditions:

+10°C to +60°C

Relative humidity: ≤ 75% yearly average
without dew, maximum 30 days at 95%

Vibration Resistance:

24 cycles at 15 min. each (60068-6)
10-60Hz at 0.75mm amplitude
60-2000Hz at 10g acceleration



6. ELECTRICAL SPECIFICATIONS

Time vs Current Characteristics Table

(measured with constant current power supply)

Time vs Current Characteristics:					
Rated Current	110%	135%	200%	350%	600%
1~40A	>4h	0.75~1800s	0.15~5s	40~500ms	20~100ms

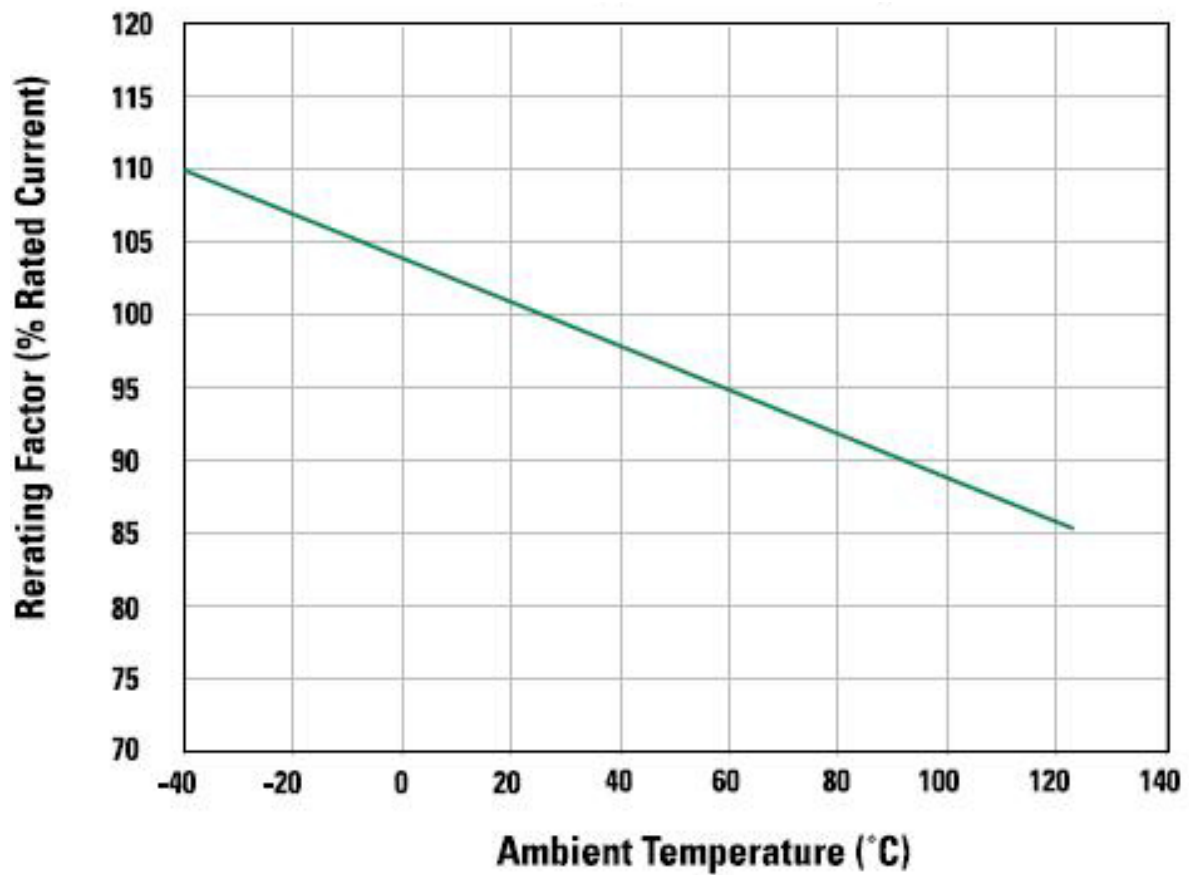
Electrical characteristics

Electrical Characteristics						
Amp Code	Rated Current	Voltage Rating	Typical Voltage Drop Max(mV)	Body Color	Typical Cold Resistance (mΩ)	Approvals
						cURus 32V
1100	1.0A	32V	225	Greygreen	64.00	○
1200	2.0A	32V	200	Grey	36.60	○
1300	3.0A	32V	175	Purple	31.24	○
1400	4.0A	32V	175	Rose	23.50	○
1500	5.0A	32V	175	Orange	17.00	○
1750	7.5A	32V	150	Brown	11.30	○
2100	10.0A	32V	125	Red	8.600	○
2150	15.0A	32V	125	Wathet	6.250	○
2200	20.0A	32V	125	Yellow	4.500	○
2250	25.0A	32V	110	Transparent color	3.670	○
2300	30.0A	32V	100	Light green	3.100	○
2350	35.0A	32V	90	Deep purple	2.750	○
2400	40.0A	32V	85	Pink	2.430	○

Notes: 1. Permissible continuous operating current is $\leq 100\%$ at ambient temperature of 23°C (73.4°F)



Temperature Rerating Curve



7. ORDERING INFORMATION

The following information are necessary in order to place your order with us correctly:

Series No.	Amp Code	Packaging Code	Quantity	Purchase Order No.
717				