

# PBL 3764 Subscriber Line Interface Circuit

## Description

The PBL 3764 Subscriber Line Interface Circuit (SLIC) is a bipolar integrated circuit in 75 V technology which replaces the conventional transformer based analog line interface circuit in PABX and other telecommunications equipment with a modern, compact solid state design. Not only is required PCB area reduced, but lesser component weight and height result as well. The PBL 3764 has been optimized for low cost and to require only a minimum of external components.

The PBL 3764 programmable, constant-current feed system can operate with battery supply voltages down to 24 V to reduce line card power dissipation.

The SLIC incorporates loop current, ground key and ring trip detection functions as well as a ring relay driver.

Two- to four-wire and four- to two-wire voice frequency (vf) signal conversion is accomplished by the SLIC in conjunction with either a conventional CODEC/filter or with a programmable CODEC/filter (e.g. SLAC, SiCoFi, Combo II). The programmable CODEC/filter option provides for flexible line card designs with features such as transmit and receive gains, hybrid balance and two-wire impedance adjustable by the system controller. In the conventional CODEC/filter implementation the two-wire impedance is set by a simple external network.

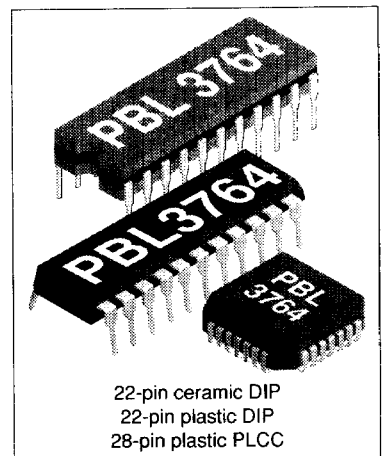
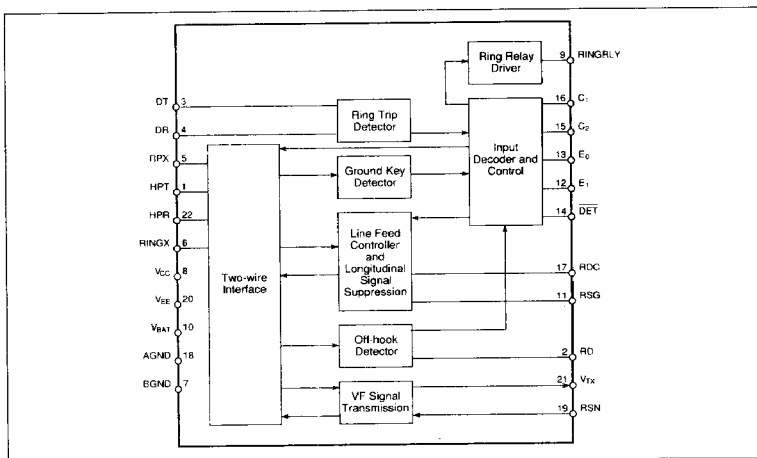
Longitudinal line voltages are suppressed by a feedback loop in the SLIC. Longitudinal balance specifications exceed FCC and EIA requirements.

The PBL 3764 package is 22-pin, dual-in-line, 28-pin j-leaded chip carrier or 32-pin leadless chip carrier.

Refer to Ericsson Components AB family of central office SLICs for applications requiring additional functions.

## Key Features

- Battery feed characteristics programmable via external resistors; feed characteristics independent of SLIC battery supply variations
- Battery supply voltage as low as 24 V for power efficient line card designs
- Ring relay driver
- Loop current, ground key and ring trip detection functions
- Programmable loop current detector threshold
- Hybrid function with all types of CODEC/filter devices
- Programmable line terminating impedance, complex or real
- On-hook transmission
- Longitudinal balance specifications in excess of FCC and EIA requirements
- Low 21 mW on-hook power dissipation
- Tip-ring open circuit state for subscriber loop power denial
- -40 °C to +85 °C ambient temperature range



## Maximum Ratings

Parameter	Symbol	Min	Max	Unit
<b>Temperature, Humidity</b>				
Storage temperature range	$T_{Stg}$	-60	+150	°C
Operating temperature range	$T_{Case}$	-40	+110	°C
Operating junction temperature range	$T_J$	-40	+140	°C
Storage humidity, Note 1	RH	5	95	% RH
<b>Power supply, <math>-40^{\circ}\text{C} \leq T_{Amb} \leq 85^{\circ}\text{C}</math></b>				
$V_{CC}$ with respect to AGND	$V_{CC}$	0.5	7	V
$V_{EE}$ with respect to AGND	$V_{EE}$	-7	0.5	V
$V_{Bat}$ with respect to BGND	$V_{Bat}$	-70	0.5	V
<b>Power dissipation</b>				
Continuous power dissipation at $T_{Amb} \leq 70^{\circ}\text{C}$	$P_D$		1.5	W
Peak power dissipation at $T_{Amb} = 70^{\circ}\text{C}$ , $t < 100\text{ ms}$ , $t_{Rep} > 1\text{ sec}$ .	$P_{DP}$		4	W
<b>Ground</b>				
Voltage between AGND and BGND	$V_G$	-0.3	0.3	V
<b>Relay driver</b>				
Ring relay supply voltage	$V_{Ring}$	0	$V_{Bat} + 75$	V
Ring relay current	$I_{Ring}$		50	mA
<b>Ring trip comparator</b>				
Input voltage	$V_{DT1}$ , $V_{DR}$	$V_{Bat}$	0	V
Input current	$I_{DT1}$ , $I_{DR}$	-5	5	mA
<b>Digital inputs, outputs (C1, C2, E0, E1, DET)</b>				
Input voltage	$V_{ID}$	0	$V_{CC}$	V
Output voltage ( $\overline{DET}$ not active)	$V_{OD}$	0	$V_{CC}$	V
Output current ( $\overline{DET}$ )	$I_{OD}$		5	mA
<b>TIPX and RINGX terminals, <math>-40^{\circ}\text{C} \leq T_{Amb} \leq 85^{\circ}\text{C}</math></b>				
TIPX or RINGX voltage, continuous (referenced to AGND), Note 2	$V_{TA}$ , $V_{RA}$	$V_{Bat}$	2	V
TIPX or RINGX, pulse < 10 ms, $t_{Rep} > 10\text{ s}$ , Note 2	$V_{TA}$ , $V_{RA}$	$V_{Bat} - 20$	5	V
TIPX or RINGX, pulse < 1 $\mu\text{s}$ , $t_{Rep} > 10\text{ s}$ , Note 2	$V_{TA}$ , $V_{RA}$	$V_{Bat} - 40$	10	V
TIP or RING, pulse < 250 ns, $t_{Rep} > 10\text{ s}$ , Note 3	$V_{TA}$ , $V_{RA}$	$V_{Bat} - 70$	15	V
TIPX or RINGX current	$I_{DCMET}$		70	mA

## Recommended Operating Conditions

Parameter	Symbol	Min	Max	Unit
Case temperature	$T_{Case}$	-40	100	°C
$V_{CC}$ with respect to AGND	$V_{CC}$	4.75	5.25	V
$V_{EE}$ with respect to AGND	$V_{EE}$	-5.25	-4.75	V
$V_{Bat}$ with respect to BGND	$V_{Bat}$	-58	-24	V

## Notes

1. Applicable for ceramic package.
2. A diode in series with the  $V_{Bat}$  input increases the permitted continuous voltage and pulse < 10 ms to -70 V. A pulse  $\leq 1\mu\text{s}$  is increased to the greater of  $|-70\text{ V}|$  and  $|V_{Bat} - 40\text{ V}|$ .
3.  $R_{F1}$ ,  $R_{F2} \geq 20\ \Omega$  is also required. Pulse is supplied to TIP and RING outside  $R_{F1}$ ,  $R_{F2}$ .

**Electrical Characteristics**

-40 °C ≤ T<sub>Amb</sub> ≤ 85 °C, V<sub>CC</sub> = +5 V ±5%, V<sub>EE</sub> = -5 V ±5%, V<sub>Bat</sub> = -28 V, AGND=BGND, R<sub>SG</sub> = ∞, R<sub>DC1</sub> = R<sub>DC2</sub> = 41.2 kΩ, C<sub>HP</sub> = 10 nF, C<sub>DC</sub> = 1.5 μF, Z<sub>L</sub> = 600 Ω, unless otherwise specified. All pin number references in the text and figures refer to the 22-pin DIP unless otherwise indicated.

Parameter	Ref fig	Conditions	Min	Typ	Max	Unit
<b>Two-wire port</b>						
Overload level, V <sub>TRO</sub>	1	Z <sub>L</sub> = 600 Ω, 1% THD Note 1	3.1			V <sub>Peak</sub>
Input impedance, Z <sub>TR</sub>		Note 2		20	35	Ω/wire
Longitudinal impedance, Z <sub>LT</sub> , Z <sub>LR</sub>		0 < f < 100 Hz				
Longitudinal current limit, I <sub>LT</sub> , I <sub>LR</sub>		active state			20	mA <sub>Peak</sub> /wire
		stand-by state			5	mA <sub>Peak</sub> /wire
Longitudinal to metallic balance, B <sub>LM</sub>		IEEE standard 455-1985				
		0.2 kHz < f < 4.0 kHz				
		0°C ≤ T <sub>Amb</sub> ≤ 70°C	63	70		dB
		-40°C ≤ T <sub>Amb</sub> ≤ 85°C	55	70		dB
Metallic to longitudinal balance, B <sub>ML</sub>		FCC part 68, paragraph 68.310				
		0.2 kHz < f < 1.0 kHz	60	65		dB
		1.0 kHz < f < 4.0 kHz	50	55		dB
Longitudinal to metallic balance, B <sub>LME</sub>	2	0.2 kHz < f < 4.0 kHz				
		$B_{LME} = 20 \cdot \text{Log} \left  \frac{E_L}{V_{TR}} \right $				
		0°C ≤ T <sub>Amb</sub> ≤ 70°C	63	70		dB
		-40°C ≤ T <sub>Amb</sub> ≤ 85°C	55	70		dB
Longitudinal to four-wire balance, B <sub>LFE</sub>	2	0.2 kHz < f < 4.0 kHz				
		$B_{LFE} = 20 \cdot \text{Log} \left  \frac{E_L}{V_{TX}} \right $				
		0°C ≤ T <sub>Amb</sub> ≤ 70°C	63	70		dB
		-40°C ≤ T <sub>Amb</sub> ≤ 85°C	55	70		dB
Metallic to longitudinal balance, B <sub>MLE</sub>	3	0.2 kHz < f < 4.0 kHz	50	55		dB
		$B_{MLE} = 20 \cdot \text{Log} \left  \frac{E_{TR}}{V_L} \right , E_{RX} = 0$				
Four-wire to longitudinal balance, B <sub>FLE</sub>	3	0.2 kHz < f < 4.0 kHz	50	55		dB
		$B_{FLE} = 20 \cdot \text{Log} \left  \frac{E_{RX}}{V_L} \right $				
		E <sub>TR</sub> source removed				

Figure 1. Overload level, V<sub>TRO</sub>, two-wire port.

$$\frac{1}{\omega C} \ll R_L, R_L = 600 \text{ ohms}$$

$$R_T = 600 \text{ kohms}, R_{RX} = 300 \text{ kohms}$$

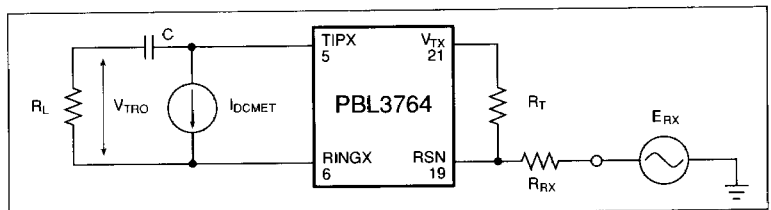
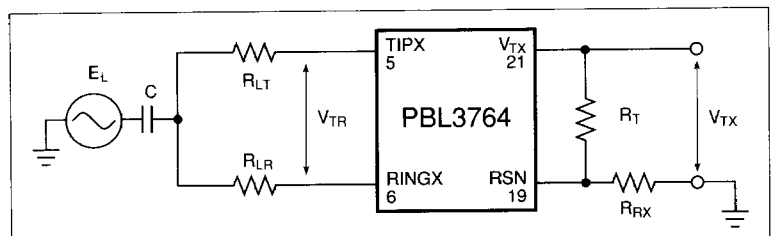


Figure 2. Longitudinal to metallic (B<sub>LME</sub>) and Longitudinal to four-wire (B<sub>LFE</sub>) balance.

$$\frac{1}{\omega C} \ll 150 \text{ ohms}, R_{LT} = R_{LR} = 300 \text{ ohms}$$

$$R_T = 600 \text{ kohms}, R_{RX} = 300 \text{ kohms}$$



Parameter	Ref fig	Conditions	Min	Typ	Max	Unit
Two-wire return loss, $r$		$r = 20 \cdot \text{Log} \frac{ Z_{TR} + Z_L }{ Z_{TR} - Z_L }$ $Z_{TR} \approx Z_L = \text{nom. } 600 \Omega$ 0.2 kHz < $f$ < 0.5 kHz 0.5 kHz < $f$ < 1.0 kHz 1.0 kHz < $f$ < 3.4 kHz, Note 10	25 27 23			dB dB dB
TIPX idle voltage, $V_{Ti}$		active, $I_L = 0$ stand-by, $I_L = 0$		-4 0		V V
RINGX idle voltage, $V_{Ri}$		active, $I_L = 0$ stand-by, $I_L = 0$		-24 -28		V V

**Four-wire transmit port (VTX)**

Overload level, $V_{TXO}$	4	Load impedance > 20 k $\Omega$ , 1% THD, Note 3	3.1			$V_{Peak}$
Output offset voltage, $\Delta V_{TX}$		0°C ≤ $T_{Amb}$ ≤ 70°C -40°C ≤ $T_{Amb}$ ≤ 85°C	-25 -30	±5 ±5	25 30	mV mV
Output impedance, $z_{TX}$		0.2 kHz < $f$ < 3.4 kHz		<5	20	$\Omega$
TIPX-RINGX metallic voltage to $V_{TX}$ voltage gain, $G_{TX}$		0.3 kHz < $f$ < 3.4 kHz 0°C ≤ $T_{Amb}$ ≤ 70°C -40°C ≤ $T_{Amb}$ ≤ 85°C	0.988 0.980	1.000 1.000	1.012 1.020	ratio ratio

**Four-wire receive port (RSN)**

Receive summing node (RSN) dc voltage		$I_{RSN} = 0$ mA		0		V
Receive summing node (RSN) impedance		0.2 kHz < $f$ < 3.4 kHz		<10	20	$\Omega$
Receive summing node (RSN) current ( $I_{RSN}$ ) to metallic loop current ( $I_M$ ) gain, $G_{RX}$		0.3 kHz < $f$ < 3.4 kHz 0°C ≤ $T_{Amb}$ ≤ 70°C -40°C ≤ $T_{Amb}$ ≤ 85°C	988 980	1000 1000	1012 1020	ratio ratio

**Frequency response**

Two-wire to four-wire, $g_{2,4}$	5	0.3 kHz < $f$ < 3.4 kHz relative to 0 dBm, 1.0 kHz. $E_{RX} = 0$ V 0°C ≤ $T_{Amb}$ ≤ 70°C -40°C ≤ $T_{Amb}$ ≤ 85°C	-0.1 -0.2	±0.03 ±0.03	0.1 0.2	dB dB
Four-wire to two-wire, $g_{4,2}$	5	0.3 kHz < $f$ < 3.4 kHz relative to 0 dBm, 1.0 kHz. $E_G = 0$ V 0°C ≤ $T_{Amb}$ ≤ 70°C -40°C ≤ $T_{Amb}$ ≤ 85°C	-0.1 -0.2	±0.03 ±0.03	0.1 0.2	dB dB

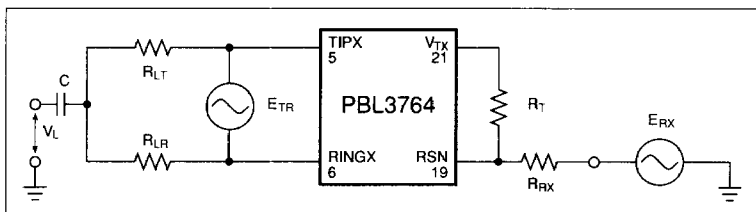


Figure 3. Metallic to longitudinal and four-wire to longitudinal balance.

$$\frac{1}{\omega C} \ll 150 \Omega, R_{LT} = R_{LR} = 300 \Omega$$

$$R_T = 600 \text{ k}\Omega, R_{RX} = 300 \text{ k}\Omega$$

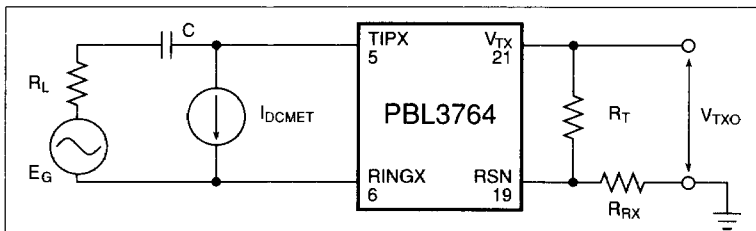


Figure 4. Overload level,  $V_{TXO}$ , four-wire transmit port.

$$\frac{1}{\omega C} \ll R_L, R_L = 600 \Omega$$

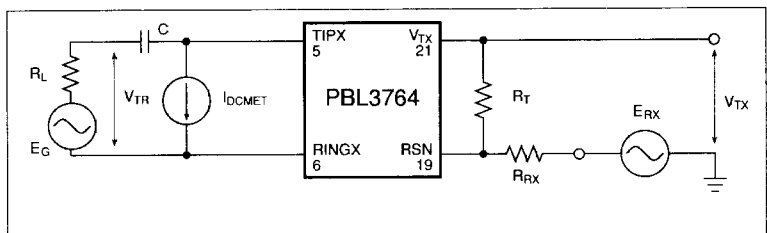
$$R_T = 600 \text{ k}\Omega, R_{RX} = 300 \text{ k}\Omega$$

Parameter	Ref fig	Conditions	Min	Typ	Max	Unit
Four-wire to four-wire, $G_{4,4}$	5	0.3 kHz < f < 3.4 kHz relative to 0 dBm, 1.0 kHz. $E_G = 0$ V $0^\circ\text{C} \leq T_{\text{Amb}} \leq 70^\circ\text{C}$ $-40^\circ\text{C} \leq T_{\text{Amb}} \leq 85^\circ\text{C}$	-0.1 -0.2	$\pm 0.03$ $\pm 0.03$	0.1 0.2	dB dB
<b>Insertion loss</b>						
Two-wire to four-wire, $G_{2,4}$	5	0 dBm, 1.0 kHz, Note 4 $G_{2,4} = 20 \cdot \text{Log} \left  \frac{V_{\text{TX}}}{V_{\text{TR}}} \right $ , $E_{\text{RX}} = 0$ $0^\circ\text{C} \leq T_{\text{Amb}} \leq 70^\circ\text{C}$ $-40^\circ\text{C} \leq T_{\text{Amb}} \leq 85^\circ\text{C}$	-0.1 -0.2	0 0	0.1 0.2	dB dB
Four-wire to two-wire, $G_{4,2}$	5	0 dBm, 1.0 kHz, Notes 4, 5 $G_{4,2} = 20 \cdot \text{Log} \left  \frac{V_{\text{TR}}}{E_{\text{RX}}} \right $ , $E_G = 0$ $0^\circ\text{C} \leq T_{\text{Amb}} \leq 70^\circ\text{C}$ $-40^\circ\text{C} \leq T_{\text{Amb}} \leq 85^\circ\text{C}$	-0.1 -0.2	0 0	0.1 0.2	dB dB
<b>Gain tracking</b>						
Two-wire to four-wire	5	Ref. -10 dBm, 1.0 kHz, Note 7 -40 dBm to +3 dBm -55 dBm to -40 dBm	-0.1	$\pm 0.03$ $\pm 0.03$	0.1	dB dB
Four-wire to two-wire	5	Ref. -10 dBm, 1.0 kHz, Note 8 -40 dBm to +3 dBm -55 dBm to -40 dBm	-0.1	$\pm 0.03$ $\pm 0.03$	0.1	dB dB
<b>Noise</b>						
Idle channel noise at two-wire (TIPX-RINGX) or four-wire ( $V_{\text{TX}}$ ) output		C-message weighting Psophometrical weighting Note 6		7.5 -83	8.9 -81.6	dBmC dBmp
<b>Harmonic distortion</b>						
Two-wire to four-wire		0 dBm, 1.0 kHz test signal		-65	-54	dB
Four-wire to two-wire		0.3 kHz < f < 3.4 kHz		-65	-54	dB
<b>Battery feed characteristics</b>						
Constant loop current, $I_L$		$I_L = \frac{2500}{R_{\text{DC1}} + R_{\text{DC2}}}$ , $R_{\text{DC1}}, R_{\text{DC2}}$ in k $\Omega$	$0.9 I_L$	$I_L$	$1.1 I_L$	mA
Stand-by state loop current, $I_L$ , tolerance range		$I_L = \frac{ V_{\text{BAT}}  - 3}{R_L + 1800}$ $T_A = 25^\circ\text{C}$	$0.8 I_L$	$I_L$	$1.2 I_L$	mA
<b>Loop current detector</b>						
On-threshold, $I_{\text{LTHON}}$		$R_D$ in k $\Omega$ , Note 9 $0^\circ\text{C} \leq T_{\text{Amb}} \leq 70^\circ\text{C}$ $-40^\circ\text{C} \leq T_{\text{Amb}} \leq 85^\circ\text{C}$	$403/R_D$ $372/R_D$	$465/R_D$ $465/R_D$	$520/R_D$ $558/R_D$	mA mA
Off-threshold, $I_{\text{LTHOF}}$		$R_D$ in k $\Omega$ , Note 9 $0^\circ\text{C} \leq T_{\text{Amb}} \leq 70^\circ\text{C}$ $-40^\circ\text{C} \leq T_{\text{Amb}} \leq 85^\circ\text{C}$	$355/R_D$ $325/R_D$	$405/R_D$ $405/R_D$	$455/R_D$ $485/R_D$	mA mA

**Figure 5.**  
Frequency response, insertion loss, gain tracking.

$$\frac{1}{\omega C} \ll R_L, R_L = 600 \Omega$$

$$R_T = 600 \text{ k}\Omega, R_{\text{RX}} = 300 \text{ k}\Omega$$



Parameter	Ref fig	Conditions	Min	Typ	Max	Unit
Hysteresis, $\Delta I_{LTHgk}$		$R_D$ in kohms, Note 9 $0^\circ\text{C} \leq T_{Amb} \leq 70^\circ\text{C}$ $-40^\circ\text{C} \leq T_{Amb} \leq 85^\circ\text{C}$	35/ $R_D$ 25/ $R_D$	60/ $R_D$ 60/ $R_D$	90/ $R_D$ 95/ $R_D$	mA mA
<b>Ground key detector</b>						
$I_{TIPx}$ and $I_{RINGx}$ current difference, $\Delta I_{LOn}$ , to trigger the ground key detector		$0^\circ\text{C} \leq T_{Amb} \leq 70^\circ\text{C}$ $-40^\circ\text{C} \leq T_{Amb} \leq 85^\circ\text{C}$	9 8	12 12	16 17	mA mA
$I_{TIPx}$ and $I_{RINGx}$ current difference, $\Delta I_{LOff}$ , to return the triggered ground key detector to idle state		$0^\circ\text{C} \leq T_{Amb} \leq 70^\circ\text{C}$ $-40^\circ\text{C} \leq T_{Amb} \leq 85^\circ\text{C}$	4 3	7 7	11 12	mA mA
Hysteresis, $\Delta I_{LTH}$		$ \Delta I_{LOn} - \Delta I_{LOff} $ $0^\circ\text{C} \leq T_{Amb} \leq 70^\circ\text{C}$ $-40^\circ\text{C} \leq T_{Amb} \leq 85^\circ\text{C}$	3 0	5 5	8 9	mA mA
<b>Ring trip detector</b>						
Offset voltage, $\Delta V_{DTR}$		Source resistance, $R_S = 0 \Omega$	-20		20	mV
Input bias current, $I_B$		$I_B = (I_{DT} + I_{DR})/2$	-500	-100		nA
Input resistance						
unbalanced			1			M $\Omega$
balanced			3			M $\Omega$
Input common mode range, $V_{DT}, V_{DR}$			$V_{Bat}$		-2	V
<b>Ring relay driver</b>						
Saturation voltage, $V_{OL}$		$I_{OL} = 25 \text{ mA}$		1.0	1.5	V
Off state leakage current, $I_{LK}$		$V_{OH} = 12 \text{ V}$			10	$\mu\text{A}$
<b>Digital inputs (C1, C2, E0, E1)</b>						
Input low voltage, $V_{IL}$			0		0.8	V
Input high voltage, $V_{IH}$			2.0		$V_{CC}$	V
Input low current, $I_{IL}$		$V_{IL} = 0.4 \text{ V}$				
C1, C2			-200			$\mu\text{A}$
E0, E1			-100			$\mu\text{A}$
Input high current, $I_{IH}$		$V_{IH} = 2.4 \text{ V}$			40	$\mu\text{A}$
<b>Detector output (DET)</b>						
Output low voltage, $V_{OL}$		$I_{OL} = 2 \text{ mA}$			0.45	V
Output high voltage, $V_{OH}$		$I_{OH} = 100 \mu\text{A}$	2.7			V
Internal pull-up resistor			10	15	20	k $\Omega$
<b>Power dissipation (<math>V_{Bat} = -28\text{V}</math>)</b>						
$P_1$		Open circuit state, $C_1, C_2 = 0, 0$ Stand-by state,		15		mW
$P_2$		$C_1, C_2 = 1, 1$ ; on-hook Active state, $C_1, C_2 = 0, 1$		21		mW
$P_3$		On-hook, $R_L = \infty \Omega$		100	115	mW
$P_4$		Off-hook, $R_L = 0 \Omega$		0.9	1.1	W
$P_5$		Off-hook, $R_L = 300 \Omega$		0.7	0.75	W
$P_6$		Off-hook, $R_L = 600 \Omega$		0.4	0.5	W
<b>Temperature guard</b>						
Junction threshold temperature, $T_{JG}$					150	$^\circ\text{C}$
<b>Power supply currents</b>						
$V_{CC}$ current, $I_{CC}$		Open circuit state		1.2	1.5	mA
$V_{EE}$ current, $I_{EE}$		$C_2, C_1 = 0, 0$		0.5	0.8	mA
$V_{Bat}$ current, $I_{Bat}$		On-hook		0.2	0.4	mA

Parameter	Ref fig	Conditions	Min	Typ	Max	Unit
$V_{CC}$ current, $I_{CC}$		Stand-by state		1.4	1.7	mA
$V_{EE}$ current, $I_{EE}$		$C_2, C_1 = 1, 1$		0.5	0.8	mA
$V_{Bat}$ current, $I_{Bat}$		On-hook		0.4	0.6	mA
$V_{CC}$ current, $I_{CC}$		Active state		4.0	5.5	mA
$V_{EE}$ current, $I_{EE}$		$C_2, C_1 = 1, 0$		1.5	2.2	mA
$V_{Bat}$ current, $I_{Bat}$		On-hook		2.6	3.9	mA
<b>Power supply rejection ratios</b>						
$V_{CC}$ to 2- or 4-wire port		Active State	48	50		dB
$V_{EE}$ to 2- or 4-wire port		$C_2, C_1 = 1, 0$	48	50		dB
$V_{Bat}$ to 2- or 4-wire port		50Hz < f < 3400Hz, $V_n = 100mV$	48	50		dB

**Notes**

- The overload level is specified at the two-wire port with the signal source at the four-wire receive port.
- The two-wire impedance is programmable by selection of external component values according to:  
 $Z_{TRX} = Z_T / |G_{TX} G_{RX}|$  where:  
 $Z_{TRX}$  = impedance between the TIPX and RINGX terminals  
 $Z_T$  = programming network between the  $V_{TX}$  and RSN terminals  
 $G_{TX}$  = transmit gain, nominally = 1  
 $G_{RX}$  = receive current gain, nominally = -1000 (current defined as positive when flowing into the receive summing node (RSN), and when flowing from Tip to Ring).
- The overload level is specified at the four-wire transmit port,  $V_{TX}$ , with the signal source at the two-wire port. Note that the gain from the two-wire port to the four-wire transmit port is  $G_{TX} = 1$ .
- Fuse resistors  $R_F$  impact the insertion loss as explained in the text, section Transmission. The specified insertion loss is for  $R_F = 0$ .
- The specified insertion loss tolerance does not include errors caused by external components.
- The two-wire idle noise is specified with the port terminated in 600 ohms ( $R_L$ ) and with the four-wire receive port grounded ( $E_{RX} = 0$ ; see figure 5).  
The four-wire idle noise at  $V_{TX}$  is specified with the two-wire port terminated in 600 ohms ( $R_L$ ). The noise specification is with respect to a 600 ohm impedance level at  $V_{TX}$ . The four-wire receive port is grounded ( $E_{RX} = 0$ ).
- The level is specified at the two-wire port.
- The level is specified at the four-wire receive port and referenced to a 600 ohm impedance level.
- The loop current value, at which the loop current detector changes state, is programmable by selecting the value of resistor  $R_D$ .  $R_D$  connects between pins RD (2) and  $V_{EE}$  (20). The programming resistor can be calculated as  $R_D = K_2 / I_{L,TH}$ , where  $K_2$  is the conversion factor and  $I_{L,TH}$  is the loop current threshold. Numerical values for  $K_2$  are given in the table in the form  $K_2/R_D$ . For further information, refer to the section "Loop monitoring functions", "Loop current detector."
- Higher return loss values can be achieved by adding a reactive component to  $R_T$ , the two-wire terminating impedance programming resistance, e.g., by dividing  $R_T$  into two equal halves and connecting a capacitor from the common point to ground. For  $R_T = 600$  kohms this capacitor would be approximately 30 pF. Increasing  $C_{HP}$  to 0.033  $\mu F$  improves low-frequency return loss.

**Pin Description**

Refer to figure 6. Note: all pin number references in the text and figures refer to the 22-pin DIP unless otherwise specified.

DIP	PLCC	Symbol	Description
1	21	HPT	Tip side of ac/dc separation capacitor $C_{HP}$ . Other end of $C_{HP}$ connects to pin 22, HPR.
2	22	RD	Off-hook detector programming resistor $R_D$ in parallel with filter capacitor $C_D$ connect from RD to $V_{EE}$ .
3	23	DT	Inputs to the ring trip comparator. With DR more positive than DT the detector output, DET (pin 14), is at logic level low, indicating off-hook condition. The ring trip network connects to these two inputs.
4	25	DR	
5	27	TIPX	The TIPX and RINGX pins connect to the tip and ring leads of the two-wire
6	28	RINGX	interface via overvoltage protection components and ring relay (and optional test relay).
7	2	BGND	Battery ground
8	4	$V_{CC}$	+5V power supply
9	5	RINGRLY	Ring relay driver output. Open collector. Sinks 50 mA to BGND. Must be protected by external inductive kick-back diode.
10	6	$V_{Bat}$	Battery supply voltage, -24V to -58V. Negative with respect to BGND (pin 7).

11	7	RSG	Saturation guard programming resistor, $R_{SG}$ , connects from this terminal to $V_{EE}$ (pin 20). Refer to section "Battery feed" for detailed information.
12	8	E1	TTL compatible enable input. Enables desired detector to be gated to the $\overline{DET}$ (pin 14) output. Refer to section Enable inputs for detailed information.
13	9	E0	TTL compatible enable input. Enables the $\overline{DET}$ (pin 14) output when set to logic level low and disables the $\overline{DET}$ output when set to logic level high. Refer to section Enable inputs for detailed information.
14	11	$\overline{DET}$	Detector output. Inputs C1 (pin 16) and C2 (pin 15) together with enable inputs E0 (pin 13) and E1 (pin 12) select one of the three detectors to be connected to the $\overline{DET}$ output. A logic low at the enabled $\overline{DET}$ output indicates a triggered detector condition. The $\overline{DET}$ output is open collector with internal pull-up resistor (approximately 15 kohms to $V_{CC}$ (pin 8)).
15	12	C2	C1 and C2 are TTL compatible inputs controlling the SLIC operating states. Refer to section Control inputs for details.
16	13	C1	
17	14	RDC	Constant current feed is programmed by two resistors connected in series from this pin to the receive summing node (RSN, pin 19). The resistor junction point is decoupled to AGND to isolate the ac signal components.
18	15	AGND	Analog and digital ground. Analog ground is a quiet ground for vf signal processing circuits.
19	16	RSN	Receive summing node. 1000 times the current (dc and ac) flowing into this pin equals the metallic (transversal) current flowing from RINGX (pin 6) to TIPX (pin 5). Programming networks for constant current feed, two-wire impedance and receive gain connect to the receive summing node.
20	18	$V_{EE}$	-5V power supply.
21	19	$V_{TX}$	Transmit vf output. The ac voltage difference between TIPX (pin 5) and RINGX (pin 6), the ac metallic voltage, is reproduced as an unbalanced AGND referenced signal at $V_{TX}$ with a gain of one. The two-wire impedance programming network connects between $V_{TX}$ and RSN (pin 19).
22	20	HPR	Ring side of ac/dc separation capacitor $C_{HP}$ . Other end of $C_{HP}$ capacitor connects to pin 1, HPT.
3, 10	N/C		Some of the pins marked N/C will be used for heat sinking and may be internally connected to $V_{Bat}$ . Contact the factory for further information before making external connections to these pins.
17, 24	N/C		
26	TIPX <sub>Sense</sub>		
1	RINGX <sub>Sense</sub>		TIPX <sub>Sense</sub> and RINGX <sub>Sense</sub> are internally connected to TIPX and RINGX respectively. TIPX <sub>Sense</sub> and RINGX <sub>Sense</sub> are used during manufacturing, but require no connections in SLIC applications, i.e. leave open.

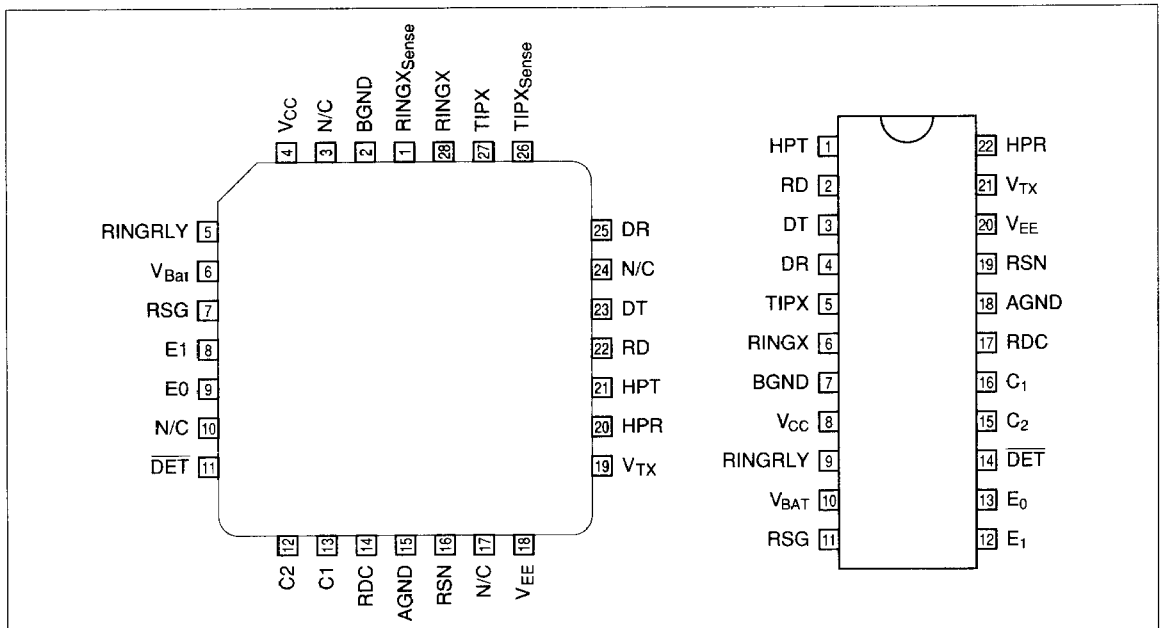


Figure 6. Pin configuration, 28--pin j-leaded chip carrier and 22-pin dual-in line package, top view.



# Functional Description and Applications Information

## Transmission

### General

A simplified ac model of the transmission circuits is shown in figure 7. Circuit analysis yields:

$$V_{TR} = V_{TX} + I_M \cdot 2R_F \quad (1)$$

$$\frac{V_{TX}}{Z_T} + \frac{V_{RX}}{Z_{RX}} = \frac{I_M}{1000} \quad (2)$$

$$V_{TR} = E_G - I_M \cdot Z_L \quad (3)$$

where:

$V_{TX}$  is a ground referenced unity gain version of the ac metallic voltage between the TIPX and RINGX terminals.

$V_{TR}$  is the ac metallic voltage between tip and ring.

$E_G$  is the line open circuit ac metallic voltage.

$I_M$  is the ac metallic current.

$R_F$  is a fuse resistor.

$Z_L$  is the line impedance.

$Z_T$  determines the SLIC TIPX to RINGX impedance.

$Z_{RX}$  controls four- to two-wire gain.

$V_{RX}$  is the analog ground referenced receive signal.

### Two-wire impedance

To calculate  $Z_{TR}$ , the impedance presented to the two-wire line by the SLIC including the fuse resistors  $R_F$ , let:

$$V_{RX} = 0.$$

$$\text{From (1) and (2): } Z_{TR} = Z_T / 1000 + 2R_F$$

Thus with  $Z_{TR}$  and  $R_F$  known:

$$Z_T = 1000 \cdot (Z_{TR} - 2R_F)$$

Example:

Calculate  $Z_T$  to make  $Z_{TR} = 900\Omega$  in series with  $2.16 \mu F$ .  $R_F = 20 \Omega$

$$Z_T = 1000 \cdot \left( 900 + \frac{1}{j\omega \cdot 2.16 \cdot 10^{-6}} - 2 \cdot 20 \right)$$

which yields:

$$Z_T = 860 \text{ k}\Omega \text{ in series with } 2.16 \text{ nF.}$$

### Two-wire to four-wire gain

From (1) and (2) with  $V_{RX} = 0$ :

$$G_{2-4} = \frac{V_{TX}}{V_{TR}} = \frac{Z_T / 1000}{Z_T / 1000 + 2R_F}$$

### Four-wire to two-wire gain

From (1), (2) and (3) with  $E_G = 0$ :

$$G_{4-2} = \frac{V_{TR}}{V_{RX}} = - \frac{Z_T}{Z_{RX}} \cdot \frac{Z_L}{Z_T / 1000 + 2R_F + Z_L}$$

For applications where  $Z_T / 1000 + 2R_F \ll Z_L$ , the expression for  $G_{4-2}$  simplifies to:

$$G_{4-2} = - \frac{Z_T}{Z_{RX}} \cdot \frac{1}{2}$$

### Four-wire to four-wire gain

From (1), (2) and (3) with  $E_G = 0$ :

$$G_{4-4} = \frac{V_{TX}}{V_{RX}} = - \frac{Z_T}{Z_{RX}} \cdot \frac{Z_L + 2R_F}{Z_T / 1000 + 2R_F + Z_L}$$

### Hybrid function

The PBL 3764 SLIC forms a particularly flexible and compact line interface when used with a SLAC (Subscriber Line Audio Processing Circuit) or other programmable CODEC/ filters. The SLAC allows for system controller adjustment of hybrid balance to accommodate different line impedances without change of hardware. In addition, the SLAC permits transmit and receive gain adjustments in 0.1 dB steps. Please, refer to SLAC or other programmable CODEC/filter data sheets for design information.

The hybrid function can also be implemented utilizing the uncommitted amplifier in conventional CODEC/filter

combinations. Please, refer to figure 8. Via impedance  $Z_B$ , a current proportional to  $V_{RX}$  is injected into the summing node of the combination CODEC/filter amplifier. As can be seen from the expression for the four-wire to four-wire gain a voltage proportional to  $V_{RX}$  is returned to  $V_{TX}$ . This voltage is converted by  $R_{TX}$  to a current flowing into the same summing node. These currents can be made to cancel by letting:

$$\frac{V_{TX}}{R_{TX}} + \frac{V_{RX}}{Z_B} = 0 \quad (E_G = 0)$$

The four-wire to four-wire gain,  $G_{4,4}$ , includes the required phase shift and thus the balance network  $Z_B$  can be calculated from:

$$Z_B = - R_{TX} \cdot \frac{V_{RX}}{V_{TX}}$$

$$= R_{TX} \cdot \frac{Z_{RX}}{Z_T} \cdot \frac{Z_T / 1000 + 2R_F + Z_L}{Z_L + 2R_F}$$

Example:

Calculate  $R_B$  for the line interface shown in figure 10.

$$R_B = 20 \cdot 10^3 \cdot \frac{634 \cdot 10^3}{562 \cdot 10^3} \cdot \frac{562 \cdot 10^3 / 1000 + 2 \cdot 20 + 600}{600 + 2 \cdot 20}$$

$$= 42.37 \text{ kohms (i.e. standard value } 42.2 \text{ kohms, 1\%)}$$

### Longitudinal impedance

A feed back loop counteracts

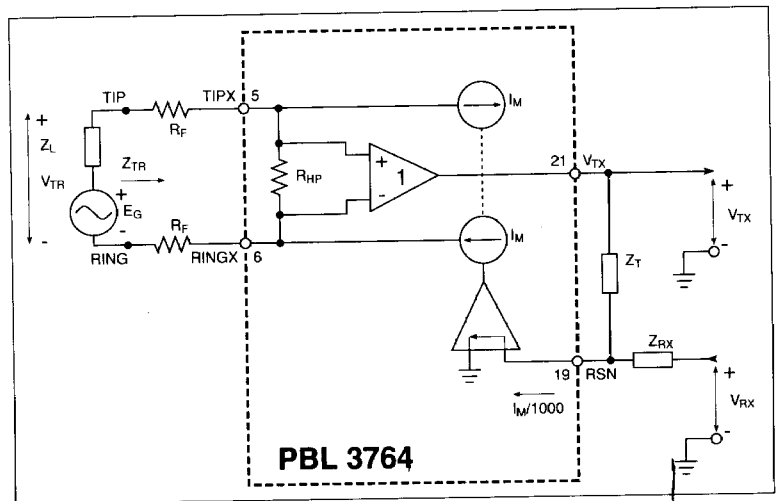


Figure 7. Simplified ac transmission circuit.

longitudinal voltages at the two-wire port by injecting longitudinal currents in opposing phase. Thus longitudinal disturbances will appear as longitudinal currents and the TIPX and RINGX terminals will experience very small longitudinal voltage excursions, leaving metallic voltages well within the SLIC common mode range. This is accomplished by comparing the instantaneous two-wire longitudinal voltage to an internal longitudinal reference voltage,  $V_{LBIAS}$ . As shown below, the SLIC appears as 20 ohms per wire to longitudinal disturbances. It should be noted that longitudinal currents may exceed the dc loop current without disturbing the vf transmission. Refer to figure 9.

Circuit analysis yields:

$$(V_L/2 + V_L/2)/R_{L1} = I_L/1000$$

which reduces to  $R_{LT} = R_{LR} = V_L/I_L = 20$  ohms where:

- $R_L = 20$  kohms
- $R_{LT} = R_{LR} =$  longitudinal resistance/wire
- $V_L =$  longitudinal voltage at TIPX, RINGX
- $I_L =$  longitudinal current

**Ac transmission circuit stability**

To ensure stability of the feedback loop shown in block diagram form in figure 7 two compensation capacitors  $C_{TC}$  and  $C_{RC}$  are required. Figure 10 includes these capacitors. Recommended value is 2200 pF.

**Ac - dc separation capacitor,  $C_{HP}$**

The high pass filter capacitor connected between terminals 1 and 22 provides the separation between circuits sensing tip-ring dc conditions and circuits processing ac signals. A  $C_{HP}$  value of 10 nF will position the low end frequency response 3dB break point at 48 Hz ( $f_{3dB} = 1/(2 \cdot \pi \cdot R_{HP} \cdot C_{HP})$ )

where  $R_{HP} \approx 330$  kohms.

**Battery Feed**

The block diagram in figure 11 shows the PBL 3764 battery feed system.

For a tip to ring dc voltage  $V_{TR}$  less than the saturation guard reference voltage  $V_{SGREF}$ , the SLIC emulates a constant-current feed characteristic. The constant current is independent of the actual battery voltage,  $V_{BAT}$ , connected to the SLIC.

With the tip to ring DC voltage  $V_{TR}$  exceeding  $V_{SGREF}$ , the feed characteristic changes to a nearly-constant voltage feed. This is to prevent the tip and ring drive amplifiers from distorting the AC signal as might have otherwise occurred due to insufficient voltage margin between  $V_{TR}$  and  $V_{BAT}$  (pin 10). Thus the SLIC automatically adjusts the tip to ring dc voltage  $V_{TR}$  to the maximum safe value.

With the SLIC in the stand-by state ( $C_1, C_2 = 1, 1$ ) a resistive feed characteristic is enabled.

The following text explains the three battery feed cases in more detail.

**Case 1: SLIC in the active state;**

$$V_{TR} < V_{SGREF}$$

In the active state  $C_1 = 0$  and  $C_2 = 1$ . In this operating state tip to ring voltages  $V_{TR}$  less than  $V_{SGREF}$  cause the block titled saturation guard (figure 11) to be disabled, i.e. its output is equal to zero. For this case circuit analysis yields:

$$R_{DC1} + R_{DC2} = \frac{2.5V}{I_L} \cdot 1000$$

where:

$I_L =$  constant loop current (independent of the loop resistance  $R_L$ )

$R_{DC1} + R_{DC2} =$  the programming resistance which sets the constant loop current

For tip to ring voltages  $V_{TR}$  less than  $V_{SGREF}$  the PBL 3764 thus emulates a constant current feed with the magnitude of the constant current set by the resistors,  $R_{DC1}$  and  $R_{DC2}$ .

Capacitor  $C_{DC}$  at the  $R_{DC1} - R_{DC2}$  common point removes vf signals from the battery feed control loop.  $C_{DC}$  is calculated according to:

$$C_{DC} = T \cdot \left( \frac{1}{R_{DC1}} + \frac{1}{R_{DC2}} \right), \text{ where } T = 30\text{ms}$$

Note that  $R_{DC1} = R_{DC2}$  yields minimum  $C_{DC}$  value.

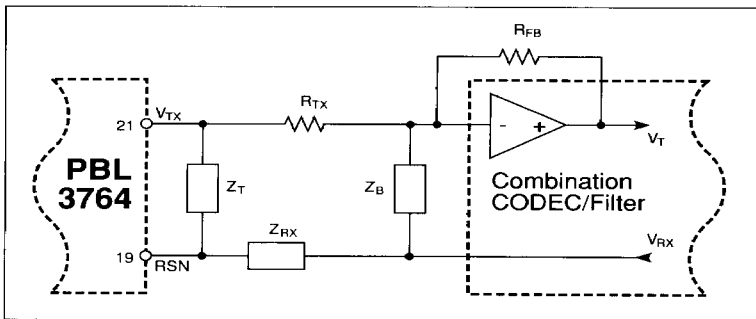


Figure 8. Hybrid function

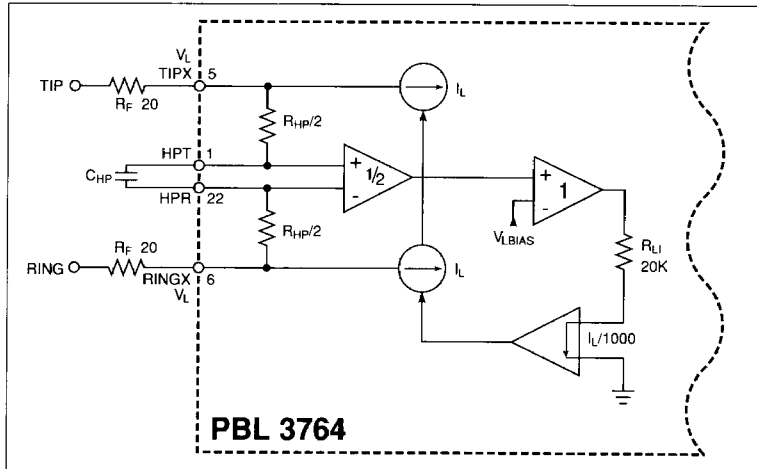


Figure 9. Longitudinal impedance.

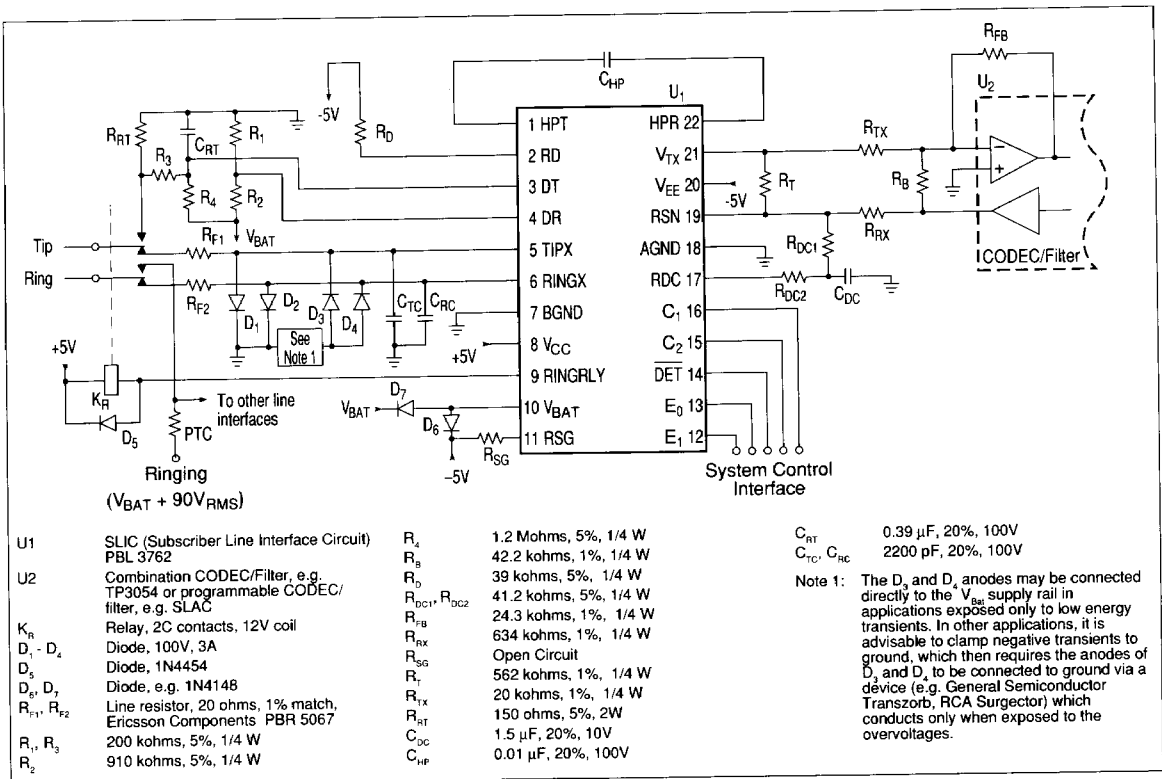


Figure 10. Single-channel subscriber line interface with PBL 3764 and combination CODEC/filter.

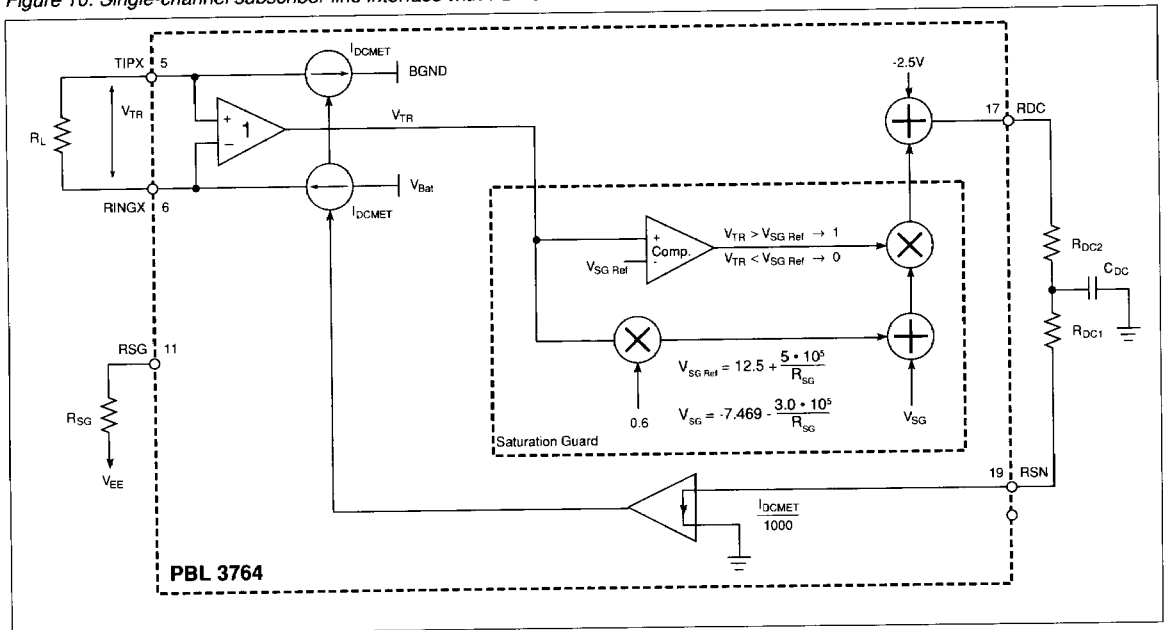


Figure 11. Battery feed ( $C_2, C_1 = 1, 0$ ; active state).

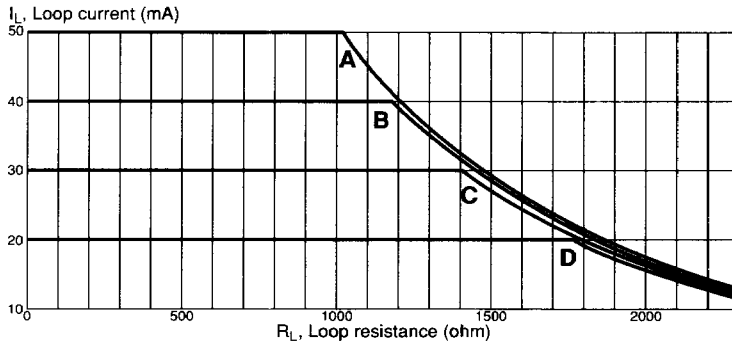


Figure 12. Loop current as a function of loop resistance.

$V_{Bat} = -48\text{ V}$ ,  $R_{SG} = 21.4\text{ k}\Omega$   
 Curve A:  $R_{DC1} + R_{DC2} = 50.0\text{ k}\Omega$   
 Curve B:  $R_{DC1} + R_{DC2} = 62.5\text{ k}\Omega$   
 Curve C:  $R_{DC1} + R_{DC2} = 83.3\text{ k}\Omega$   
 Curve D:  $R_{DC1} + R_{DC2} = 125.0\text{ k}\Omega$

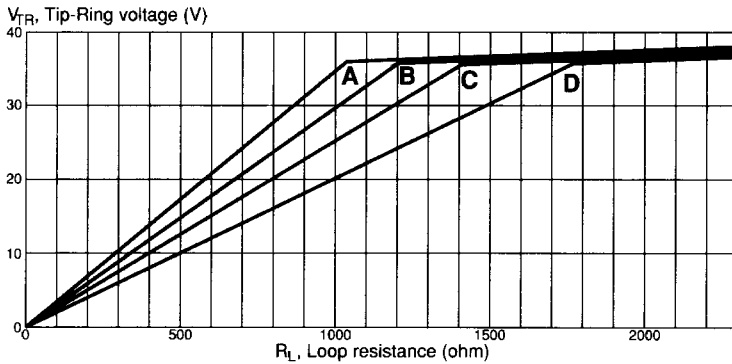


Figure 13. Tip-ring voltage as a function of loop resistance.

$V_{Bat} = -48\text{ V}$ ,  $R_{SG} = 21.4\text{ k}\Omega$   
 Curve A:  $I_{Const} = 35\text{ mA}$   
 Curve B:  $I_{Const} = 30\text{ mA}$   
 Curve C:  $I_{Const} = 25\text{ mA}$   
 Curve D:  $I_{Const} = 20\text{ mA}$

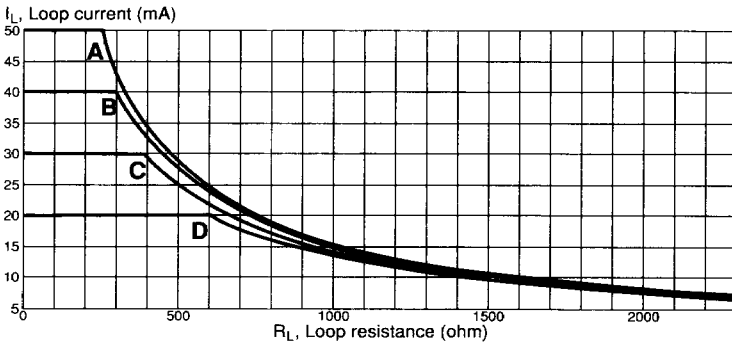


Figure 14. Loop current as a function of loop resistance.

$V_{Bat} = -24\text{ V}$ ,  $R_{SG} = \infty$   
 Curve A:  $R_{DC1} + R_{DC2} = 50.0\text{ k}\Omega$   
 Curve B:  $R_{DC1} + R_{DC2} = 62.5\text{ k}\Omega$   
 Curve C:  $R_{DC1} + R_{DC2} = 83.3\text{ k}\Omega$   
 Curve D:  $R_{DC1} + R_{DC2} = 125.0\text{ k}\Omega$

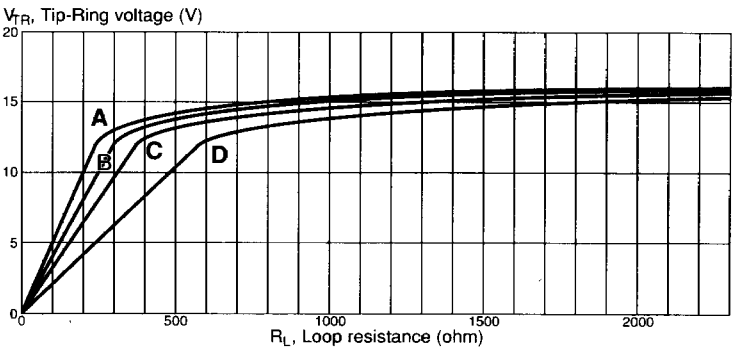


Figure 15. Tip-ring voltage as a function of loop resistance.

$V_{Bat} = -24\text{ V}$ ,  $R_{SG} = \infty$   
 Curve A:  $I_{Const} = 50\text{ mA}$   
 Curve B:  $I_{Const} = 40\text{ mA}$   
 Curve C:  $I_{Const} = 30\text{ mA}$   
 Curve D:  $I_{Const} = 20\text{ mA}$

Figure 16. Overload level,  $V_{TRO}$  as a function of  $V_{Margin}$ .

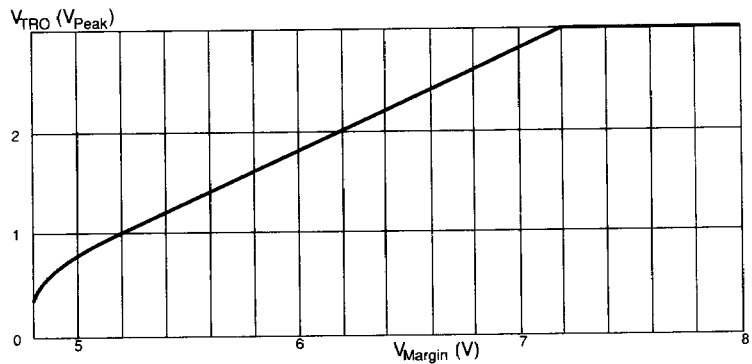


Figure 17. Loop resistance at  $I_L = 18mA$  as a function of  $V_{Margin}$  at open loop.

$V_{Bat} = -48V$

Curve A:  $I_{Const} = 20mA$

Curve B:  $I_{Const} = 25mA$

Curve C:  $I_{Const} = 30mA$

Curve D:  $I_{Const} = 35mA$

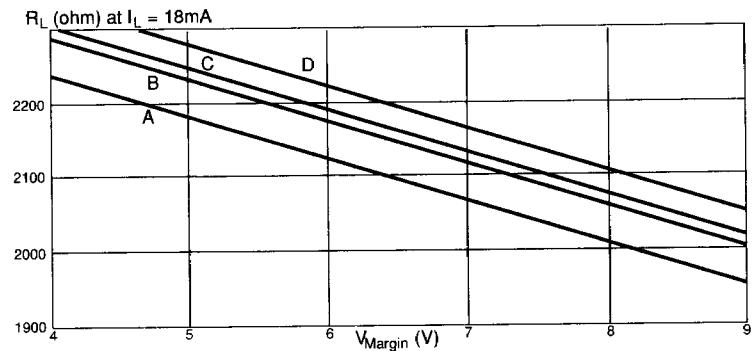


Figure 18. Power derating.

$$P = \frac{T_J - T_{Amb}}{\Theta_{JA}} \quad P = \text{Power}$$

$T_{Amb}$  = Ambient Temperature

Curve A:  $T_J = 110^\circ C$ , Junction Temperature  
 $\Theta_{JA} = 50^\circ C/W$ , Junction-to-ambient Thermal Resistance

Curve B:  $T_J = 140^\circ C$ , Junction Temperature  
 $\Theta_{JA} = 50^\circ C/W$ , Junction-to-ambient Thermal Resistance

Curve C:  $T_J = 140^\circ C$ , Junction Temperature  
 $\Theta_{JA} = 36.5^\circ C/W$ , Junction-to-ambient Thermal Resistance (heatsink added to PBL 3764)

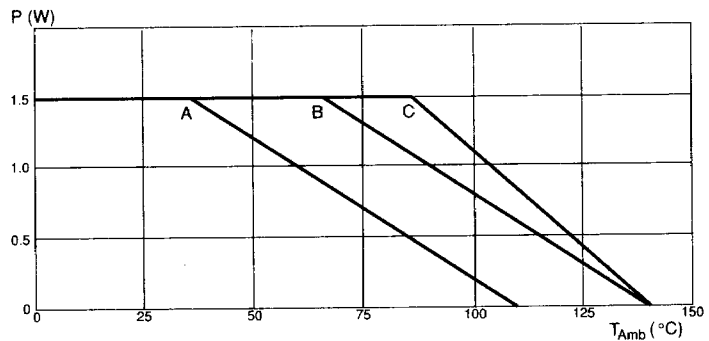
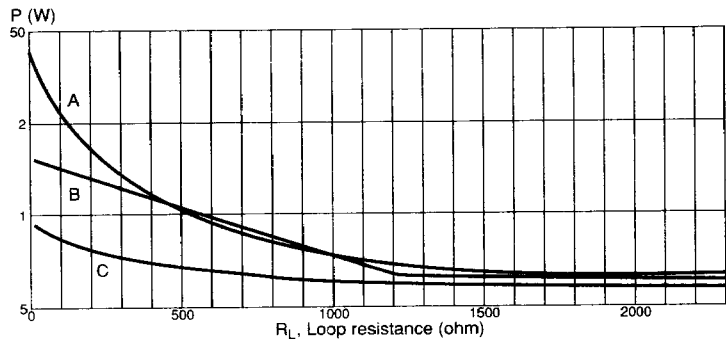


Figure 19. Power Dissipation.

Curve A: Conventional 2 X 400Ω feed

Curve B: PBL 3764, -48V, 30mA

Curve C: PBL 3764, -28V, 30mA



**Case 2: SLIC in the active state**

$$V_{TR} > V_{SGRef}$$

In the active state  $C_1 = 0$  and  $C_2 = 1$ . The saturation guard reference voltage is user programmable according to:

$$V_{SGRef} = 12.5 + \frac{5 \cdot 10^5}{R_{SG}}$$

where:

$R_{SG}$  = saturation guard reference programming resistor in ohms.

$V_{SGRef}$  = saturation guard reference voltage in volts.

Once the dc metallic voltage,  $V_{TR}$ , exceeds the saturation guard reference voltage,  $V_{SGRef}$ , the saturation guard becomes active and the following expression describes the battery feed characteristic:

$$V_{TR} = R_L \cdot \frac{16.66 + 5 \cdot 10^5 / R_{SG}}{R_L + (R_{DC1} + R_{DC2}) / 600}$$

where  $R_{SG}$ ,  $R_L$  and  $V_{TR}$  have the same meaning as described above.

At open loop, i.e.  $R_L \rightarrow \infty$ , the saturation guard limits the tip-ring voltage to:

$$V_{TR} = 16.66 + (5 \cdot 10^5) / R_{SG}$$

Figures 13 through 15 illustrate the PBL 3764 loop feed with  $V_{Bat} = -48V$  and  $V_{Bat} = -24V$ .

For applications where the tip-to-ring DC voltage,  $V_{TR}$ , approaches the  $V_{Bat}$  value,  $R_{SG}$  should be adjusted as follows:

As a general guideline, adjust  $R_{SG}$  in the  $V_{TR}$  expression above to yield  $V_{TRMax} \leq |V_{Bat}| - 8V$  at maximum loop resistance. Maintaining  $V_{TR}$  below this limit ensures vf signal transmission through the SLIC without clipping.

$R_{SG}$  can be calculated from:

$$R_{SG} = \frac{5 \cdot 10^5}{(|V_{Bat}| - V_{Margin}) \cdot [1 + (R_{DC1} + R_{DC2}) / 600 R_L] - 16.66V}$$

where:

$V_{Margin} = 8V$  to allow a maximum overload level,  $V_{TRDC}$ , of 3.1V.

If transmission is required at open loop, i.e.,  $R_L \rightarrow \infty$ , the above expression simplifies to:

$$R_{SG} = \frac{5 \cdot 10^5}{|V_{Bat}| - V_{Margin} - 16.66V}$$

In applications where the longest possible two-wire loop length is important, it is possible to increase the maximum loop resistance at minimum allowable loop current by reducing the voltage margin  $V_{Margin} = |V_{Bat}| - V_{TRMax}$  from the 8V

suggested above. Doing so will, however, reduce the overload level from 3.1  $V_{Peak}$  as shown in figure 16. Figure 17 shows the typical maximum loop resistance at 18mA as a function of the voltage margin for several values of programmed constant-current feed and  $V_{Bat} = -48V$ .

**Case 3: SLIC in the stand-by state.**

In the stand-by state  $C_1 = 1$  and  $C_2 = 1$ . With the SLIC operating in the stand-by, power saving, state the tip and ring drive amplifiers are disconnected and a resistive battery feed is engaged. The loop current can be calculated from:

$$I_L \approx \frac{|V_{Bat}| - 3V}{R_L + 1800 \Omega}$$

where:

$I_L$  = loop current

$R_L$  = loop resistance

$V_{Bat}$  = battery supply voltage

**PBL 3764 power dissipation**

The short circuit SLIC power dissipation  $P_S$  is

$$P_{STot} = I_{LS} \cdot (|V_{Bat}| - I_{LS} \cdot 2R_F) + 0.1W$$

where:

$V_{Bat}$  is the battery voltage connected to the SLIC at pin 10,

$R_F$  is the line resistance, 20  $\Omega$

$$I_{LS} = \frac{2.5V}{R_{DC1} + R_{DC2}} \cdot 1000 \text{ is the constant loop current.}$$

Consult the power derating diagram, figure 18, to determine allowable safe dissipation. For extreme reliability requirements select maximum 110°C junction temperature and for normal requirements maximum 140°C. Note that a short circuited loop is not a normal operating condition. The terminating equipment will add some dc resistance (200  $\Omega$  to 300  $\Omega$ ) even if the wire resistance is near 0  $\Omega$ .

Figure 18 compares line feed power dissipation as a function of loop resistance for three cases: feed resistor dissipation for a conventional 2  $\cdot$  400 ohm resistive feed, PBL 3764 with 30 mA constant current feed and  $V_{Bat} = -48V$  and PBL 3764 with 30 mA constant current feed and  $V_{Bat} = -28V$ . The diagram illustrates the significant PBL 3764 power savings compared to the 2  $\cdot$  400 ohm feed.

**Temperature guard**

A ring to ground short circuit fault condition as well as other improper operating conditions may cause excessive SLIC power dissipation. If junction temperature increases beyond 150°C, the temperature guard will trigger, causing the SLIC to be set to a high-impedance state. In this high-impedance state, power dissipation is reduced and the junction temperature will return to a safe value. Once below 150°C, the SLIC is returned back to its normal operating mode and will remain in that state, assuming the fault condition has been removed.

**PBL 3764 long loop vf transmission**

To ensure that the maximum vf signal intended to be received/transmitted by the SLIC will not experience limiting in the TIPX (pin 5)/RINGX (pin 6) drive amplifiers at long loops, the saturation guard must be correctly programmed. The section, "Battery Feed, Case 2" describes how to calculate a value for the saturation guard programming resistor  $R_{SG}$ .

**Loop Monitoring Functions**

The loop current, ground key and ring trip detectors report their status through a common output, DET (pin 14). The detector to be connected to DET is selected via the four bit wide control interface C1, C2, E0, E1. Please refer to section Control Inputs for a description of the control interface.

**Loop current detector**

The loop current value, at which the loop current detector changes state, is programmable by selecting the value of resistor  $R_D$ .  $R_D$  connects between pins RD (2) and  $V_{EE}$  (20). Figure 20 shows a block diagram of the loop current detector. The two-wire interface produces a current flowing out of pin RD (2):

$$I_{RD} = |I_{TIP} - I_{RING}| / 600 = I_L / 300$$

where  $I_{TIP}$  and  $I_{RING}$  are currents flowing into the TIPX and RINGX terminals and  $I_L$  is the loop current. The voltage generated by  $I_{RD}$  across the programming resistor  $R_D$  is compared to an internal 1.25 V reference via a comparator with hysteresis, shown as positive feedback resistor  $R_H$  in the block diagram.  $R_H$  adds an additional voltage component,  $\Delta V_H$ , across  $R_D$ , causing the loop current

detector on-threshold to be slightly higher than the off-threshold, i.e. hysteresis. A logic low results at the DET (pin 14) output when the loop current exceeds the on-threshold:

$$(I_{LTHON}/300) \cdot R_D - \Delta V_{HOH} > 1.25V.$$

Taking the hysteresis voltage into account, the value for  $R_D$  can be calculated for a desired  $I_{LTHON}$  as:

$$R_D = 465/I_{LTHON}$$

$R_D$  is in kohms for  $I_{LTHON}$  in mA.

A logic high results at the DET (pin 14) output when the loop current is less than the off-threshold:

$$(I_{LTHOH}/300) \cdot R_D + \Delta V_{HOH} (= 0) < 1.25V.$$

The loop current off-threshold for a known  $R_D$  is then:  $I_{LTHOH} = 375/R_D$ .

The filter capacitor is calculated according to  $C_D = T/R_D$  with time constant  $T = 0.5$  ms. Note that  $C_D$  may not be required if the DET output is software filtered.

**Ground key detector**

The ground key detector circuit examines the difference in TIPX and RINGX currents. Should the current difference exceed the threshold value,  $\Delta I_{LOH}$ , the detector is triggered. As the current difference decreases the detector is reset at current threshold  $\Delta I_{LOH}$ .  $\Delta I_{LOH} > \Delta I_{LOH}$ , i.e. the detector has hysteresis. The triggered detector results in a logic low at the DET (pin 14) output, assuming the ground key detector has been selected via the four-bit control input ( $C_1, C_2, E_0, E_1$ ). For  $\Delta I_{LOH}$  and  $\Delta I_{LOH}$  numerical values please refer to table "Electrical characteristics".

**Ring trip detector**

Ring trip detection is accomplished by connecting an external network to a comparator in the SLIC with inputs DT (pin 3) and DR (pin 4). The ringing source can be balanced or unbalanced superimposed on  $V_{BAT}$ . The unbalanced ringing source may be applied to either the ring lead or the tip lead with return via the other wire. A ring relay driven by the SLIC ring relay driver connects the ringing source to tip and ring.

The ring trip function is based on a polarity change at the comparator input when the line goes off-hook. In the on-hook state no dc current flows through the loop and the voltage at comparator input DT is more positive than the voltage at

input DR. When the line goes off-hook, while the ring relay is energized, dc current flows and the comparator input voltage reverses polarity.

Figure 21 is an example of a ring trip detection network. This network is applicable, when the ring voltage superimposed on  $V_{BAT}$  is injected on the ring lead of the two-wire port. The dc voltage across sense resistor  $R_{RT}$  is monitored by the ring trip comparator input DT via the network  $R_3, R_4$  and  $C_{RT}$ . Input DR is set to a reference voltage by resistors  $R_1$  and  $R_2$ . With the line on-hook (no dc current) DT is more positive than DR and the DET output will report logic level high, i.e. the detector is not tripped. When the line goes off-hook, while ringing, a dc current will flow through the

loop including sense resistor  $R_{RT}$  and will cause input DT to become more negative than input DR. This changes output DET to logic level low, i.e. tripped detector condition. The system controller (or line card processor) responds by de-energizing the ring relay, i.e. ring trip.

Complete filtering of the 20 Hz ac component at terminal DT is not necessary. A toggling DET output can be examined by a software routine to determine the duty cycle. When the DET output is at logic level low for more than half the time, off-hook condition is indicated.

**Relay Driver**

The PBL 3764 SLIC incorporates a ring relay driver designed as open

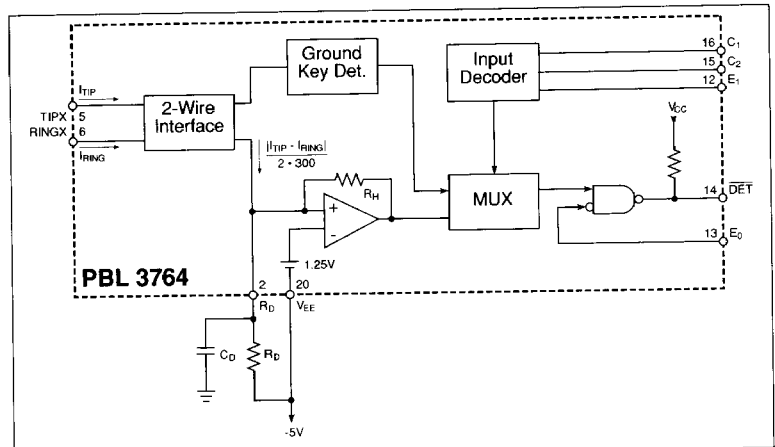


Figure 20. Loop current and ground key detectors.

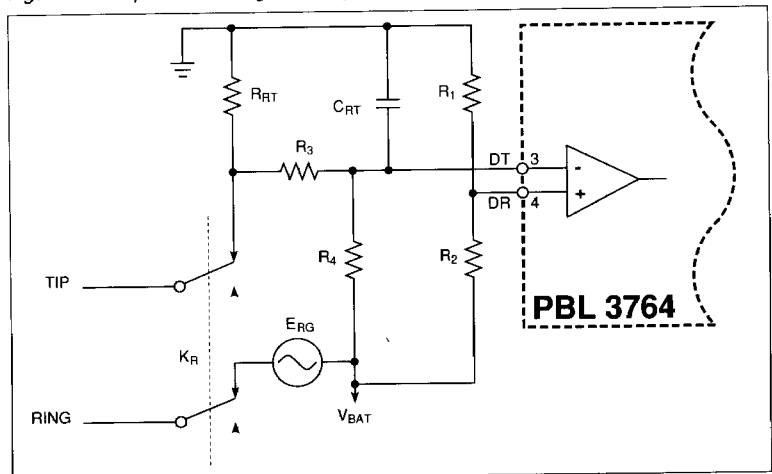


Figure 21. Ring trip network.

collector (npn) with a current sinking capability of 50 mA. The drive transistor emitter is connected to BGND. An external inductive kick-back clamp diode must be employed to protect the drive transistor.

### Control Inputs

The PBL 3764 SLIC has two TTL compatible control inputs, C<sub>1</sub> and C<sub>2</sub>. A decoder in the SLIC interprets the control input conditions and sets up the commanded operating state.

#### Open circuit state (C<sub>2</sub>, C<sub>1</sub> = 0, 0)

In the Open Circuit State the TIPX and RINGX line drive amplifiers as well as other circuit blocks are powered down. This causes the SLIC to present a high impedance to the line. Power dissipation is at a minimum. No detectors are active.

#### Ringing State (C<sub>2</sub>, C<sub>1</sub> = 0, 1)

The ring relay driver and the ring trip detector are activated. TIPX and RINGX are in the high impedance state and signal transmission is inhibited.

#### Active State (C<sub>2</sub>, C<sub>1</sub> = 1, 0)

TIPX is the terminal closest to ground and sources loop current while RINGX is the more negative terminal and sinks loop current. Vf signal transmission is normal. Both the loop current and the ground key detectors are activated. Inputs E<sub>0</sub> and E<sub>1</sub> control the selection of one of these detectors to be gated to the  $\overline{\text{DET}}$  output. Please, refer to section Enable Inputs.

#### Stand-By State (C<sub>2</sub>, C<sub>1</sub> = 1, 1)

In the Stand-by State the line drive amplifiers are disconnected. The loop feed is converted to resistive form according to:

$$I_L \approx \frac{|V_{\text{BAT}}| - 3V}{R_L + 1800 \Omega}$$

where:

I<sub>L</sub> = loop current (A)

V<sub>Bat</sub> = battery supply voltage (V)

R<sub>L</sub> = loop resistance (ohm)

The standby short circuit loop current (I<sub>LS</sub>) for V<sub>Bat</sub> = -28V is then limited to:

$$I_{\text{LS}} \approx 13.9 \text{ mA.}$$

The SLIC on-hook power dissipation

State	E0	E1	C1	C2	SLIC operating state	Active detector	$\overline{\text{DET}}$ Output
1	0	0	0	0	Open circuit	No active detector	Logic level high
2	0	0	0	1	Active	Ground key detector	Ground key status
3	0	0	1	0	Ringing	No active detector	Logic level high
4	0	0	1	1	Stand-by	Ground key detector	Ground key status
5	0	1	0	0	Open circuit	No active detector	Logic level high
6	0	1	0	1	Active	Loop current detector	Loop current status
7	0	1	1	0	Ringing	Ring trip detector	Ring trip status
8	0	1	1	1	Stand-by	Loop current detector	Loop current status
9	1	0	0	0	Open circuit	<div style="display: flex; align-items: center; justify-content: center;"> <div style="border-left: 1px solid black; border-right: 1px solid black; height: 100px; margin-right: 10px;"></div> <div style="text-align: center;"> <p>Note 1</p> </div> <div style="border-left: 1px solid black; border-right: 1px solid black; height: 100px; margin-left: 10px;"></div> </div>	<p>Logic level high Note 1</p>
10	1	0	0	1	Active		
11	1	0	1	0	Ringing		
12	1	0	1	1	Stand-by		
13	1	1	0	0	Open circuit		
14	1	1	0	1	Active		
15	1	1	1	0	Ringing		
16	1	1	1	1	Stand-by		

Table 1. SLIC operating states.

Note 1 For operating states 9-16 active detectors are as for operating states 1-8. The  $\overline{\text{DET}}$  output is, however, disabled and remains at logic level high regardless of detector status.

Note 2 For operating states 1- 8 the  $\overline{\text{DET}}$  output is enabled and will report the status of the active detector. Logic level low indicates a triggered detector.

is 20mW at V<sub>Bat</sub> = -28V.

Both the loop current and ground key detectors are activated in this operating state. Inputs E<sub>0</sub> and E<sub>1</sub> control the selection of one of these detectors to be gated to the  $\overline{\text{DET}}$  output. Please, refer to section "Enable Inputs".

Table 1 summarizes the above description of the control inputs.

#### Enable Inputs (E<sub>0</sub>, E<sub>1</sub>)

Two TTL compatible enable inputs E<sub>0</sub> (pin 13) and E<sub>1</sub> (pin 12) control the function of the  $\overline{\text{DET}}$  (pin 14) output.

E<sub>0</sub>, when set to logic level low, enables the  $\overline{\text{DET}}$  output, which is a collector output with internal pull-up resistor (approx. 15 kohms). A  $\overline{\text{DET}}$  output at logic level low indicates triggered detector condition (loop current above threshold current, ground key depressed or telephone off-hook during the ringing cycle). A  $\overline{\text{DET}}$  output at logic level high indicates a non triggered detector condition.

E<sub>0</sub>, when set to logic level high, disables the  $\overline{\text{DET}}$  output; i.e. it appears as a resistor connected to V<sub>CC</sub>.

E<sub>1</sub>, when set to logic level low, gates the ground key detector to the  $\overline{\text{DET}}$  output.

E<sub>1</sub>, when set to logic level high, gates the loop or ring trip detector to the  $\overline{\text{DET}}$  output.

Table 1 summarizes the above description of the enable inputs.

#### Overvoltage Protection

The PBL 3764 SLIC must be protected against overvoltages and power crosses. Refer to "Maximum Ratings," TIPX and RINGX terminals for maximum allowable transient voltages that may be applied to the SLIC. The circuit shown in figure 10 utilizes diodes together with a clamping device to protect against high voltage transients.

Diodes D<sub>1</sub> and D<sub>2</sub> clamp positive transients directly to ground. These two diodes are reverse biased by the normal negative tip, ring operating voltages.

Diodes D<sub>3</sub> and D<sub>4</sub> clamp negative transients to ground via a device, which is not conducting when exposed to the normal, negative tip, ring operating voltages, but will conduct when exposed to negative transient voltages. This device is necessary since D<sub>3</sub> and D<sub>4</sub> would otherwise be forward biased in the normal operating mode. A zener diode type



device (e.g. General Semiconductor Tranzorb) is suitable for lower energy transients and an SCR type device (e.g. RCA Surgector) is suitable for higher energy transients due to its voltage foldback characteristic. In applications requiring protection only against low energy transients, it is acceptable to connect the anodes of  $D_3$  and  $D_4$  directly to the  $V_{Bat}$  supply rail, thus eliminating the need for a device to block normal operating voltages.

The line resistors,  $R_f$ , serve the dual purpose of being non-destructing energy dissipaters, when transients are clamped and of being fuses when the line is exposed to a power cross. Ericsson Components AB line resistor PBR 5067 is designed for this application.

### Power-up Sequence

The voltage at pin  $V_{Bat}$  sets the substrate voltage, which must at all times be kept more negative than the voltage at any other pin to prevent possible latch-up. The correct power-up sequence is ground and  $V_{Bat}$ , then other supplies and signal leads.

A diode with a 2A current rating connected with its cathode to  $V_{EE}$  and anode to  $V_{Bat}$  ensures the presence of the most-negative supply voltage at the  $V_{Bat}$  pin, if the  $V_{Bat}$  supply voltage should be absent. The  $V_{Bat}$  pin should not be applied at a faster rate than corresponds to the time constant formed by a 5.1ohm resistor in series with the  $V_{Bat}$  pin and a 0.47  $\mu$ F capacitor from the  $V_{Bat}$  pin to ground. This RC network may be shared by several SLICs.

### Printed Circuit Board Lay-out

Care in PCB lay-out is essential for proper PBL 3764 function. The components connecting to the RSN pin (19) should be in close proximity of that pin such that no interference is injected into the RSN terminal. Ground plane surrounding the RSN pin is advisable.

The two ground pins AGND and BGND should be connected together on the PCB at the device location.

### Ordering Information

Package	Temp. Range	Part No.
Plastic DIP	0 to 70°C	PBL 3764N*
Ceramic DIP	0 to 70°C	PBL 3764J
Ceramic DIP	-40 to 85°C	PBL 3764/2J
PLCC	0 to 70°C	PBL 3764QN*
CLCC	0 to 70°C	PBL 3764QC
CLCC	-40 to 85°C	PBL 3764/2QC
LLCC	0 to 70°C	PBL 3764CC

\*: Contact factory for availability