

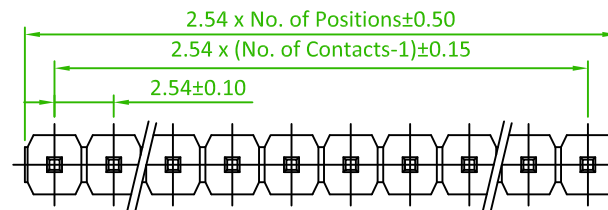
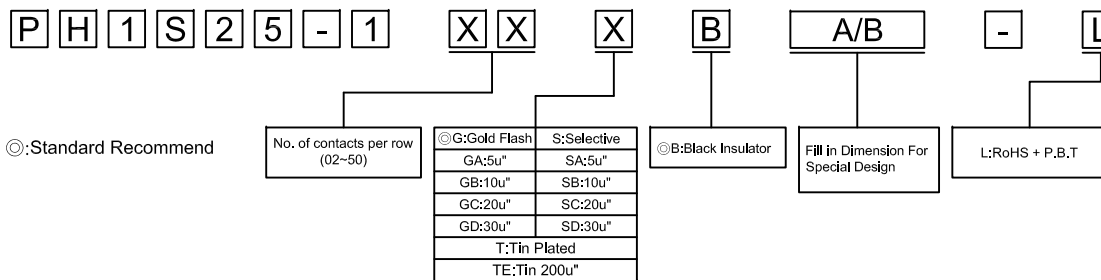
### SPECIFICATION

Current Rate:3 AMP  
 Insulation Resistance:1000M Ω Min.  
 Contact Resistance:20m Ω Max.  
 Dielectric voltage:1000V AC for one minute  
 Operation Temperature:-40 °C to +105 °C

### MATERIAL

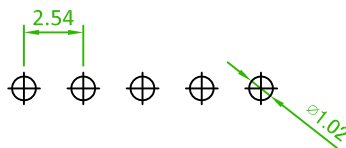
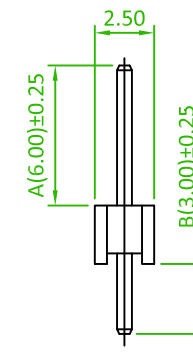
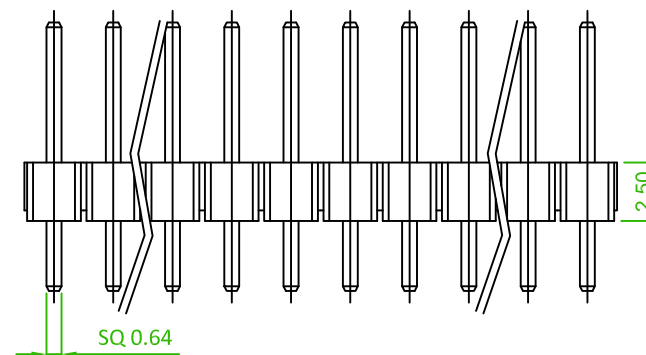
Insulator:Polyester,UL 94V-0◎Standard:P.B.T  
 Contact Pin:Copper Alloy

### ORDER INFORMATION




◎:Standard dimensions

Total length	Dim.A	Dim.B
11.60	6.00	3.00
13.90	8.10	3.30



Recommended PCB Layout  
 (PCB TOLERANCE ±0.05)

 糧德精密有限公司 Amtek Technology Co., Ltd. TEL:886-2-2268-8036 FAX:886-2-2268-8035	品名 TITLE	PIN HEADER 2.54mm STRAIGHT TYPE PLASTIC HEIGHT 2.5mm				
	品號 PART NO.	PH1S25-1XX-L			日期 DATE	2012/03/23
	圖號 DRAWING NO.	PH1S25-1XX-L	版本 REV.	A	繪圖 DRAWN	Joe
	客戶品號 CUSTOMER P/N		比例 SCALE	FREE	核對 CHECKED	Sinnys
	公差 TOLERANCE	.X ±0.35 .XX ±0.25	單位 UNIT	mm	核准 APPROVED	James

AREA	REV.	DESCRIPTION	DATE