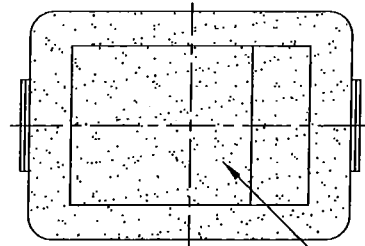
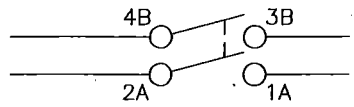


RF-1003

SWITCHING CIRCUIT

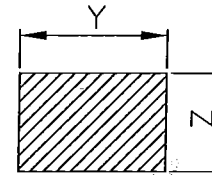


To see
CAP marking

ROCKER SWITCH MODEL: RF-1003
Rating: 10GPA/250V AC 50/60Hz T85
TV-5/125V AC 50/60Hz T85

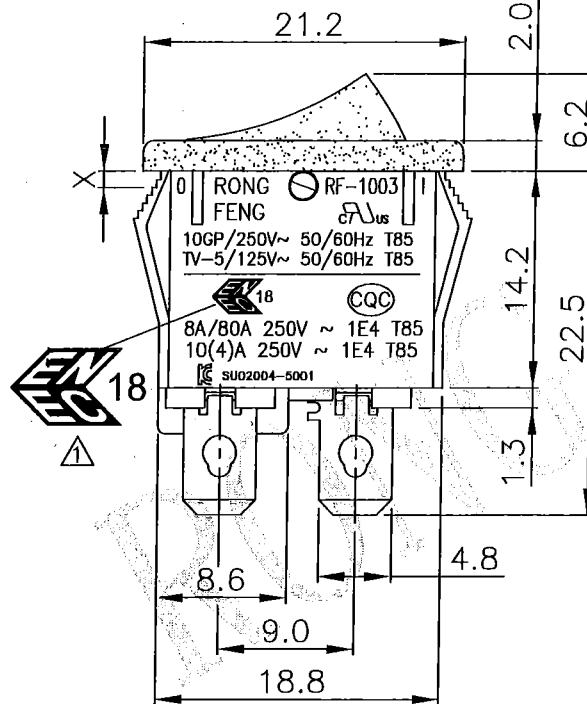
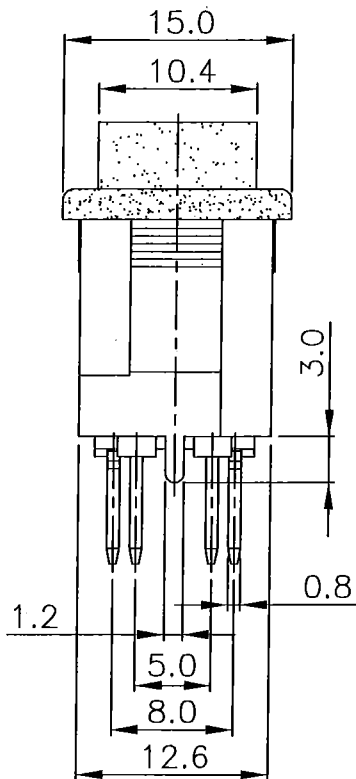
Approvals: UL/cUL
Rating: 8A/80A 250V AC 1E4 T85
10(4)A 250V AC 1E4 T85

Approvals: ENEC/CQC/KTL



PANEL CUTOUT DIMENSION TABLE

X(PANEL THICKNESS)	Y(CUTOUT DIMENSION)	Z(CUTOUT DIMENSION)
0.75~1.25mm	19.2± β^2 mm	12.9± β^{15} mm
1.25~2mm	19.4± β^2 mm	12.9± β^{15} mm



Part No.	Color		CAP marking	備註
	Cap	Body		
RF-1003-BBC8E2H2T	Black	Black		
RF-1003-BBC8E2H1C	Black	Black		VO材質
RF-1003-BBC8E2H1T	Black	Black		
RF-1003-BBE8E2H2T	Black	Black		
RF-1003-BBE8E2H1T	Black	Black		
RF-1003-BBG8E2H1C	Black	Black		VO材質
RF-1003-BBG8E2H1T	Black	Black		
RF-1003-BBH8E2H2T	Black	Black		
RF-1003-BBA8E2H1T	Black	Black		
RF-1003-BBA8E2H1C	Black	Black		VO材質
RF-1003-BBV8E2H1T	Black	Black		

NO.	DESCRIPTION	APPROVED	DATE	ANGLE	GENERAL TOLERANCE	approved	checked	designed	drawn	ALL SIZE ARE IN	MM	
5					GRADATION					SCALE	2:1	
4					TOLERANCE					MAT'L	**	
3					X	±0.4				MATERIAL NO.		
2	Del (N)		103.11.24	X.X	±0.3				MAN	DRAWING NO.		
1			103.11.24	X.XX	±0.1					DRAWING NO.		
					±1°					RF-1003-481234HT(無煙)		930605

RONG FENG INDUSTRIAL CO.,LTD.

RF-1003-481234HT(無煙)

930605