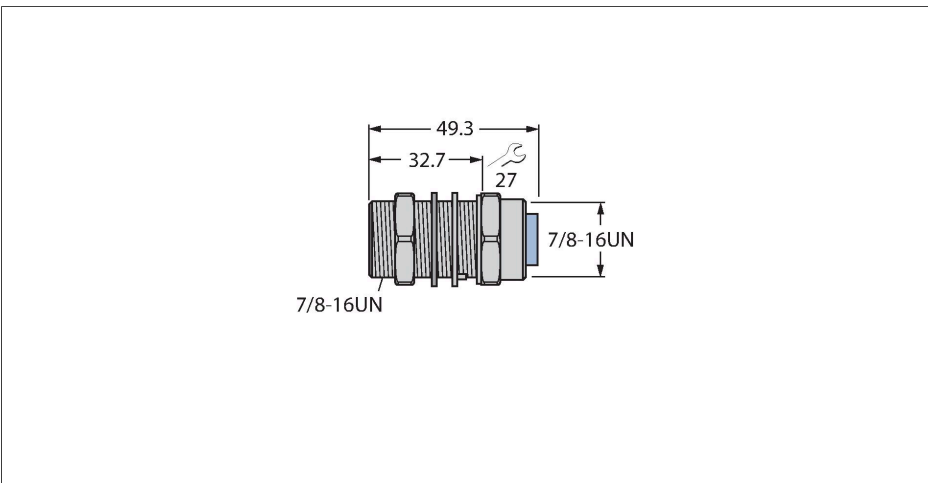


RSF RKF 57/22

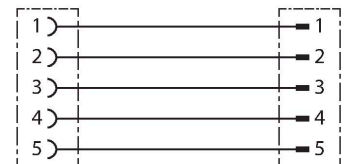
Accessories for Fieldbus Systems – Wall/panel feed-through



Features

- Design: 7/8" adapter
- 5-pin feedthrough male/female
- For use in CAN (DeviceNet, CANopen) applications
- Ampacity: 9 A
- Rated voltage: 600 V
- Temperature range: -40 °C...+105 °C
- Protection class: NEMA 1, 3, 4 and IEC IP67

Diagram



Technical data

Type	RSF RKF 57/22
Ident. no.	U2309-6
Connector A	Female Receptacle, Straight
Number of pins	5
Contacts	Brass
Contact carriers	TPU, Blue
Connector body	Metal, CuZn, Nickel-plated
Mounting type	front panel mounting
Connector B	Male Receptacle
Network protocol	DeviceNet CANopen
Rated voltage	600 V
Ambient temperature	
Stationary	-40 °C...+105 °C