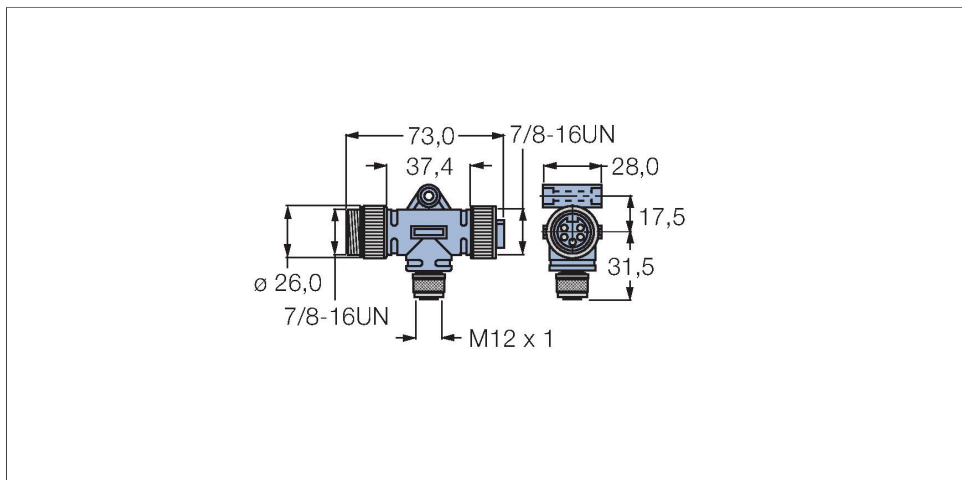


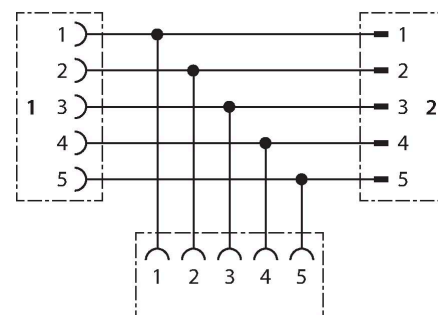
# RSM FKM RKM 57

## Accessories for Fieldbus Systems



### Features

- Design: M12 adapter with two 7/8" exits
- T-splitter, 5-pin
- For use in CAN (DeviceNet™, CANopen) applications



### Technical data

Type	RSM FKM RKM 57
Ident. no.	U0142
Number of contacts	5
Connector body	Plastic
Mechanical life	> 100 Mating cycles
Protection class	When coupled - IP67, Only in screwed condition
Connector B	Straight
Contacts	Metal, CuZn, Gold-plated
Contact carriers	Plastic
Connector body	Plastic
Seal	Plastic
Mechanical lifespan	> 100 Mating cycles
Protection class	When coupled - IP67, only when plugged in
Fieldbus	DeviceNet CANopen
Rated voltage	250 V
Current	4 A
Insulation resistance	$\geq 10^8 \Omega$
forward resistance	$\leq 5 \text{ m}\Omega$
Ambient temperature	
Temperature range (dynamic)	-40 °C...+75 °C