



SEP0402E SERIES~ High Current SMD Power Inductors



PART NUMBERING SYSTEM

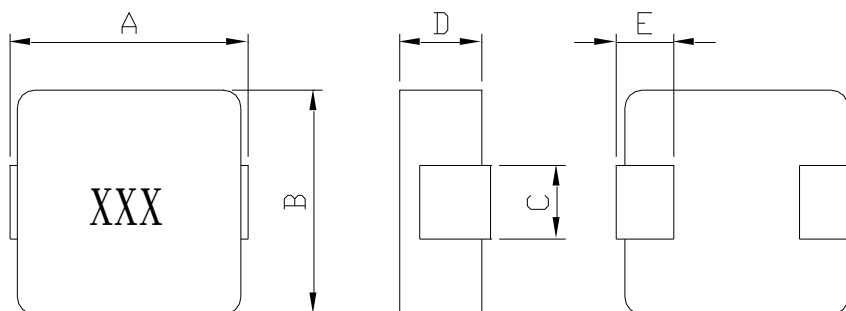
SEP	0402E	—	3R3M	—	LF
TYPE	DIMENSIONS		INDUCTANCE		LEAD FREE

FEATURES :

- Low profile (2.0mm max. height) and 4.6 mm max. square.
- Magnetically shielded and low DC resistance and Suitable for large current .
- Ideal for DC – DC converter inductor application in hand help personal Computer ,etc .
- Frequency range up to 5MHZ .
- Large current handling capability .

SHAPES AND DIMENSIONS :

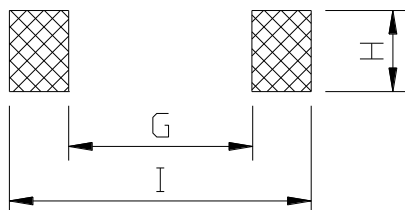
UNIT : mm



A=5.0 Max. B=4.4 Max. C=0.8±0.3 D=2.1 Max. E=1.5±0.3

RECOMMENDED PATTERNS

UNIT : mm



H=2.5 G= 2.2 I = 5.2

SEP0402E SERIES~ High Current SMD Power Inductors

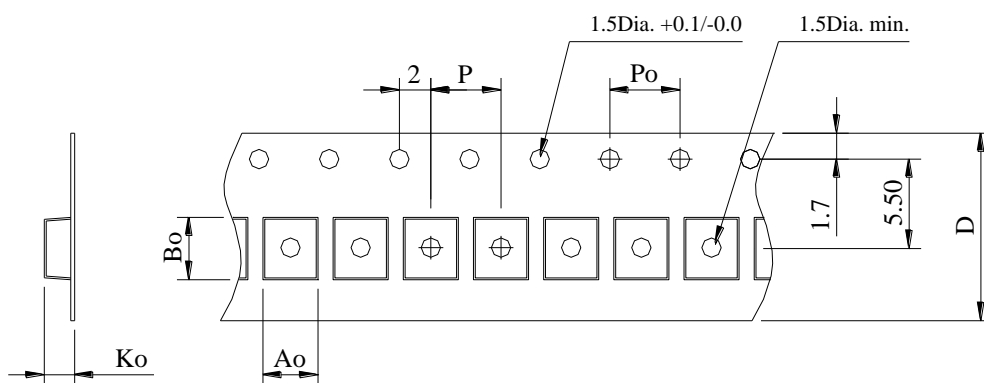


SPECIFICATION TABLE

PART NUMBER	INDUCTANCE (μ H)	Isat (A) (Typ.)	Irms (A) (Typ.)	DCR (m Ω) (Max.)	TEST FREQ. (f)
SEP0402E-R10M-LF	0.10 \pm 20%	22.0	12.0	4.0	100KHz/0.25V
SEP0402E-R22M-LF	0.22 \pm 20%	12.5	9.0	6.6	100KHz/0.25V
SEP0402E-R47M-LF	0.47 \pm 20%	9.5	7.0	14.0	100KHz/0.25V
SEP0402E-R56M-LF	0.56 \pm 20%	9.0	6.0	14.5	100KHz/0.25V
SEP0402E-1R0M-LF	1.0 \pm 20%	7.0	4.5	27.0	100KHz/0.25V
SEP0402E-1R5M-LF	1.5 \pm 20%	6.0	4.0	46.0	100KHz/0.25V
SEP0402E-2R2M-LF	2.2 \pm 20%	5.0	3.0	58.0	100KHz/0.25V
SEP0402E-3R3M-LF	3.3 \pm 20%	4.0	2.0	87.0	100KHz/0.25V
SEP0402E-4R7M-LF	4.7 \pm 20%	1.75	1.70	105.0	100KHz/0.25V

- Isat : DC current at which the inductance drops 20% (typ) from its value without current.
- I rms : Average current for a 40°C temperature rise above 25°C ambient.
- Operating temperature range -55°C to +120°C , Electrical specifications at 25°C.

PACKAGING SPECIFICATION



STAYLE	Q' TY (PCS)	DIMENSIONS (m/m)					
		Ao	Bo	Ko	P	Po	D \pm 0.3
13''	2,000	4.5 \pm 0.1	5.5 \pm 0.1	2.3 \pm 0.1	12	4.0	12

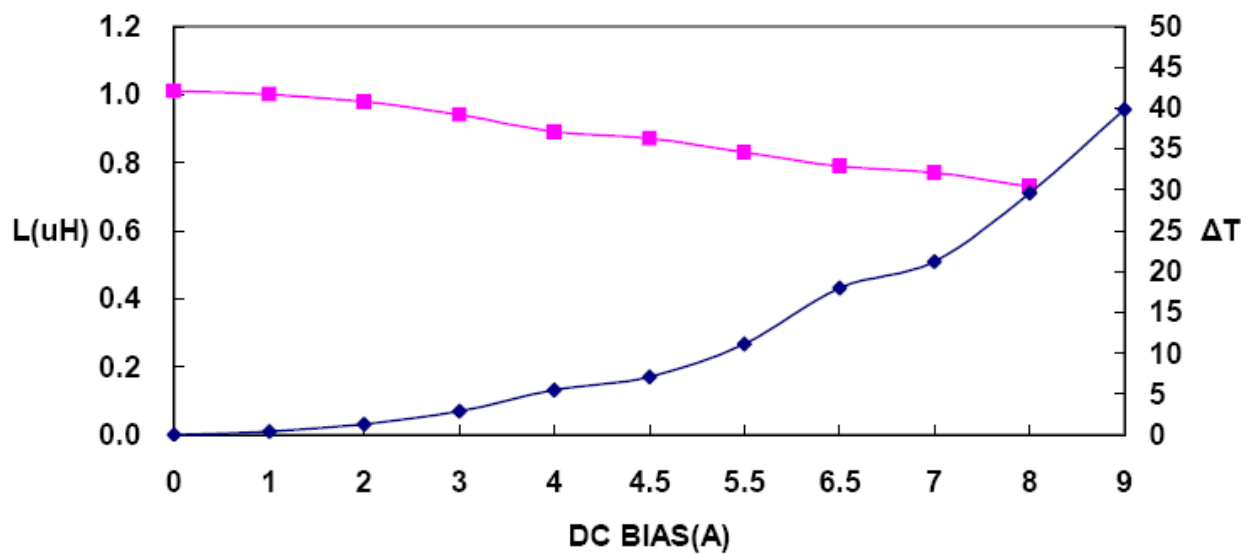


SEP0402E SERIES~ High Current SMD Power Inductors



DC BIAS vs INDUCTANCE and TEMP. RISE (ΔT)

SEP0402E-1R0M-LF



SEP0402E-1R5M-LF

