

SIMPLIFIED SCHEMATIC DIAGRAM

MINIMUM INSERTION LOSS - 50Ω CIRCUIT			
COMMON MODE		DIFFERENTIAL MODE	
MHz	min. I.L. (dB)	MHz	min. I.L. (dB)
.01	20	.01	15
.05	30	.05	30
.15	65	.15	60
.50	65	.50	65
1.5	65	1.5	65
5.0	60	5.0	60
20	65	20	60

TEST SPECIFICATIONS

HI-POT (1 sec.)
 L/L 1768 VDC
 L/N, L/G 2250 VDC

Rated Voltage: 480 VAC max.
 Rated Current: at 480 VAC 30 A max.
 Line Frequency: 50/60 Hz

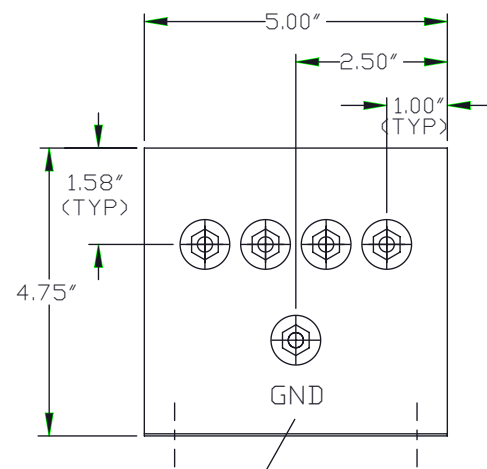
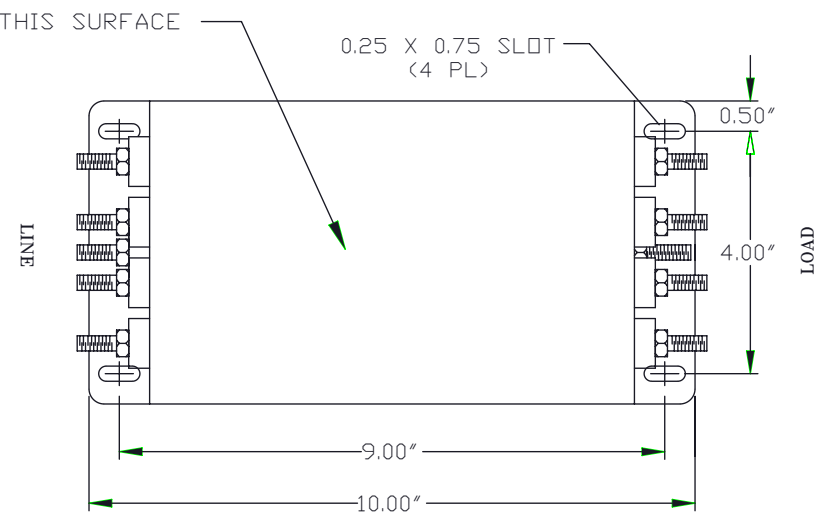
ENVIRONMENTAL SPECIFICATIONS

Ambient Temperature Range: 0°C to 40°C
 (Operating at Rated Current)
 Humidity Range: 0% to 95% R.H.

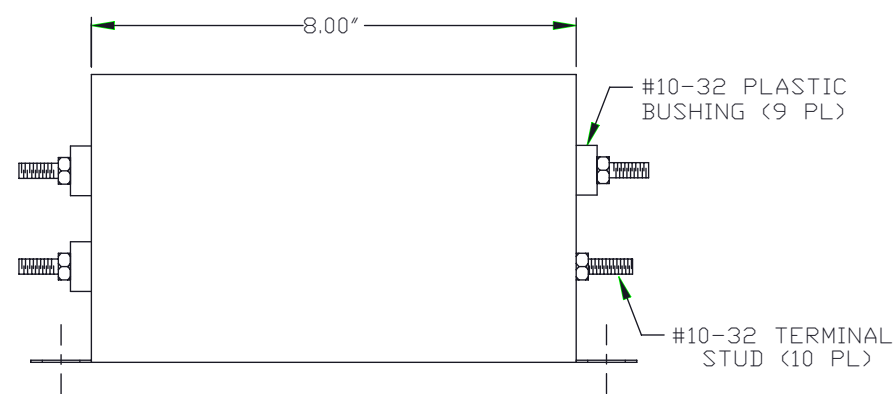
Approvals: NONE
 RoHS Compliant



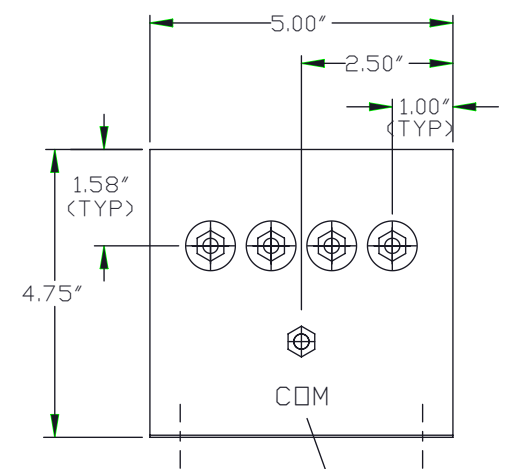
APPLY LABELS TO THIS SURFACE



4 APPLY "GND" BLACK INK STAMP HERE



4 APPLY "COM" BLACK INK STAMP HERE



CONFIDENTIAL-PROPRIETARY TO TRI-MAG, LLC. NOT TO BE SHARED WITH THIRD PARTY WITHOUT WRITTEN PERMISSION FROM TRI-MAG, LLC.

CAD FILENAME: SF2034 RevC B 4.dwg	SCALE: N/A	DRAWN: MGN	CHECKED: CJD	DATE: 5-30-14
FOR TOLERANCE AND CHANGED INFORMATION SEE SHEET 1	SIZE: B	SHT. 4 OF 4	DWG NO. SF2034	REV. C