

2.00mm

(0.079") PITCH CONNECTOR

Wire to Board Connectors

Wafer

Straight

Dip Type

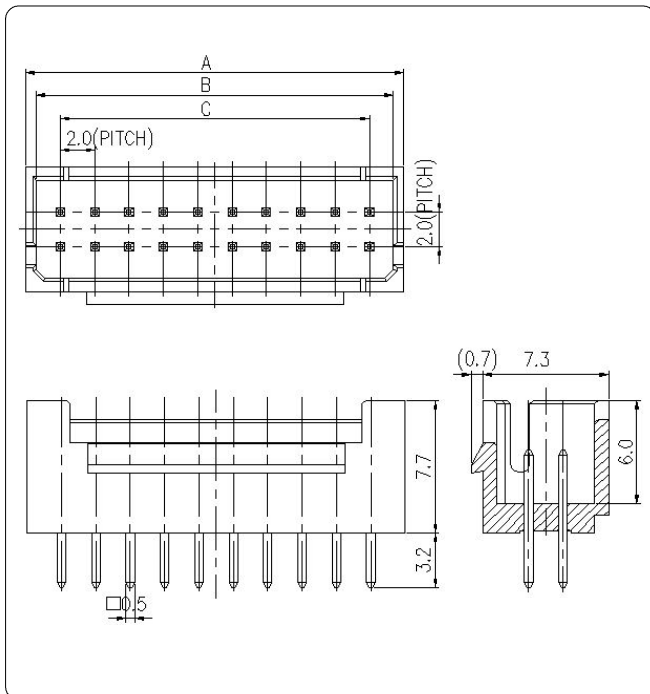


Material

I/NO	DESCRIPTION	MATERIAL
1	WAFER	NYLON 66, UL94V-0
2	PIN	Brass, Tin-plated

Available Pin

PARTS NO.	A	B	C
SMW200-14C	16.0	14.8	12.0
SMW200-16C	18.0	16.8	14.0
SMW200-18C	20.0	18.8	16.0
SMW200-20C	22.0	20.8	18.0
SMW200-22C	24.0	22.8	20.0
SMW200-24C	26.0	24.8	22.0
SMW200-26C	28.0	26.8	24.0
SMW200-28C	30.0	28.8	26.0
SMW200-30C	32.0	30.8	28.0
SMW200-32C	34.0	32.8	30.0
SMW200-40C	42.0	40.8	38.0



Specification

ITEM	SPEC
Voltage Rating	AC/DC 250V
Current Rating	AC/DC 3A
Operating Temperature	-25°C~+85°C
Contact Resistance	30mΩ MAX
Withstanding Voltage	AC1000V/1min
Insulation Resistance	1000MΩ MIN
Applicable Wire	-
Applicable P.C.B	1.2~1.6mm
Applicable FPC/FFC	-
Solder Height	-
Crimp Tensile Strength	-
UL FILE NO	E108706

