

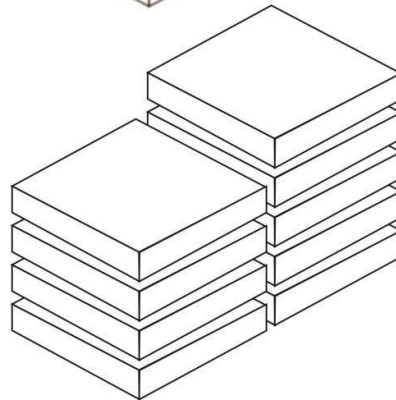
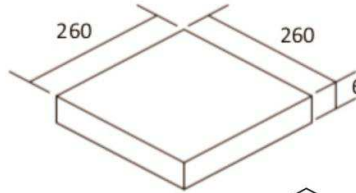
Product Specification

Packing Specification



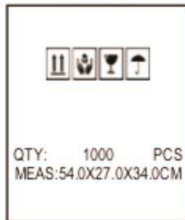
Inner Box

100 pcs / Inner Box
 Inner Box dimension: 260 x 260 x 6 (mm)
 (Box thickness: 2mm)



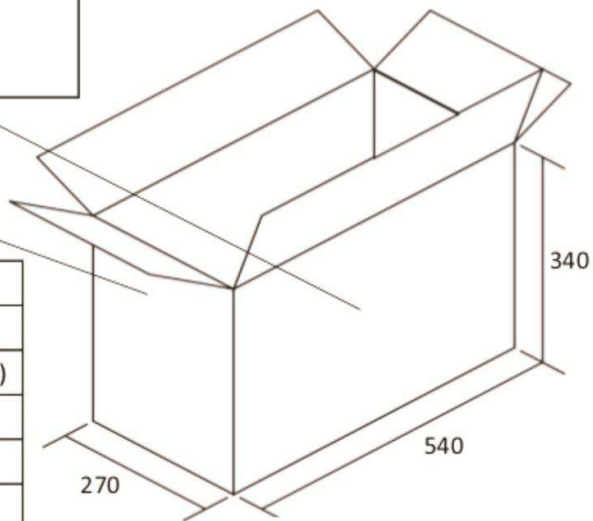
10 Inner Box / Carton
 (2 Inner Box / layer x 5 layers / carton)

Side Mark



Master Mark

ITEM:
 MANUFACTURER:
 CONSIGNEE:
 DATE OF PRODUCTION:
 DESCRIPTION:
 QTY: 1000PCS/CTN

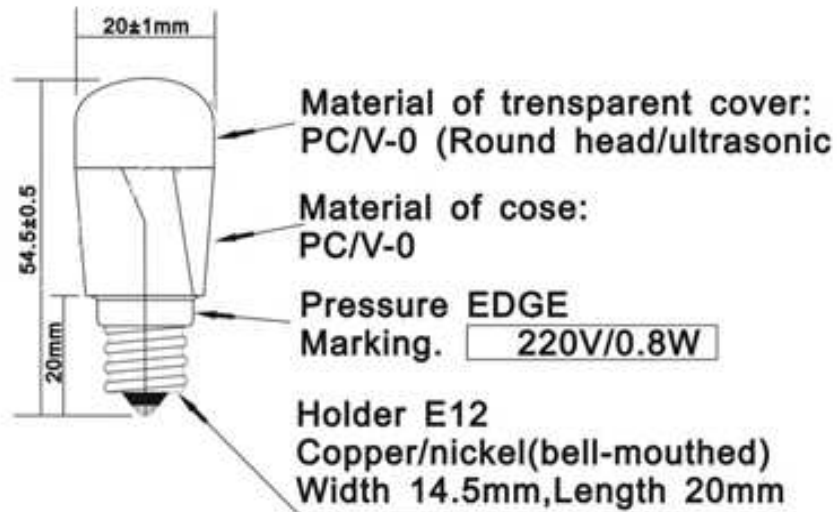


Carton	
Quantity	1,000pcs/carton
Dimension	540 x 270 x 340 (mm)
N.Weight	7.5kg/carton
G.Weight	10kg/carton
Thickness	7mm

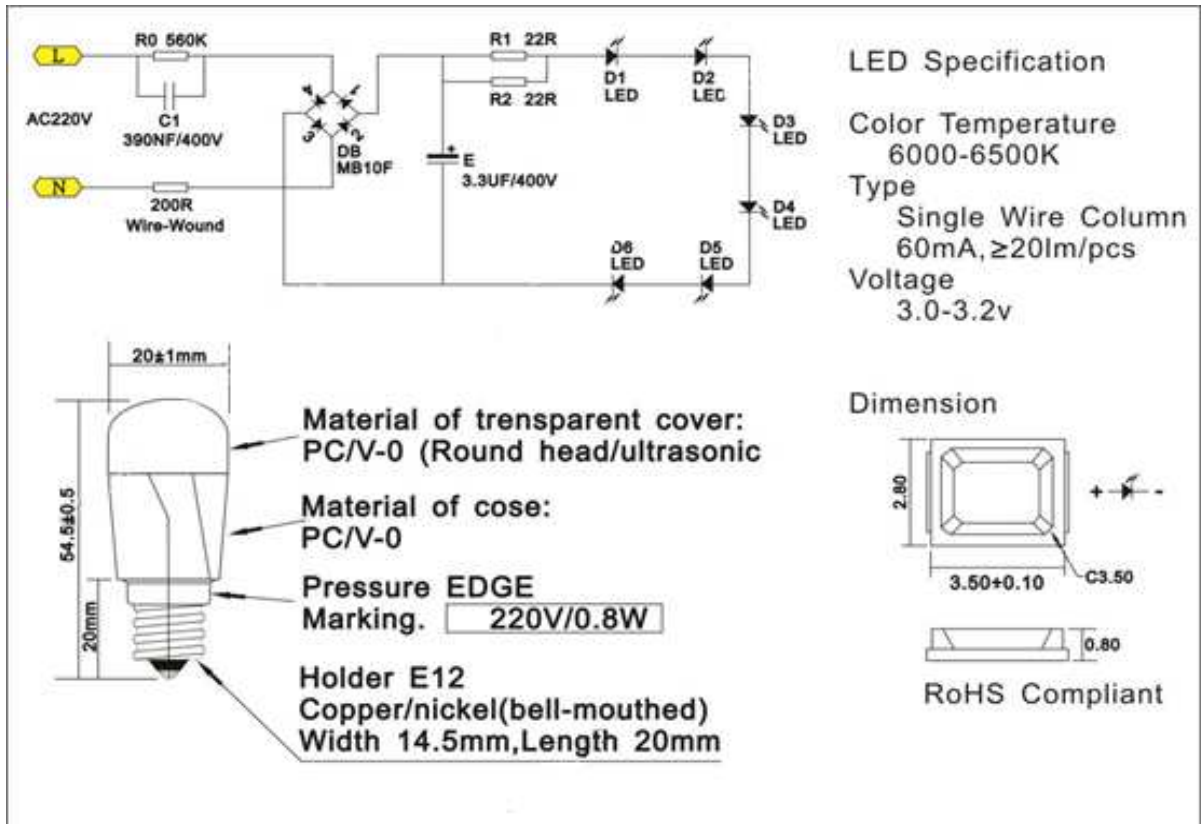
Product Specification

Socket/Holder	E12
Product Mass	7.5g
Lifetime	20000Hr average)@Tem 25 ° C Humidity ≥60%
Lumen Maintenance	1000Hr ≥90%
Dimming Function	No
Light Colour	Cool White
Total Luminous Flux/Lumen	40lm-10%
Luminescence	No Significant difference of colour & brightness between LED
Rendering Index	≥75
Input Voltage	220-240VAC
Input Frequency	50HZ
Current	28mA ±5%
Power-Wattafe	0.8W ±5%
Rated voltage	220V
Insulation Voltage	Exert 2KV, No breakdown or discharge
Insulation Resistance	≥50MΩ
Operating Temperature	-20° C to 40° C
Storage Humidity	≤ 80%
LED Type	Single wire column 60mA, ≥20lm/pcs
LED Dimension	L=3.5*W=2.8*T=0.8
LED Voltage	3.0-3.2V
LED Color Temperature	6000-6500K
LED Lifetime	20000Hrs(@Temp.25 ° C Humidity ≥60%)
PCB Sheet	RF-4(Double side)(LED-6-12)
PCB&Copper Thickness	1mm & 1 ounce

Product Specification



Item	Specification
Description	LED Blub Clear(SMD type)
Applications	Lighting in Refridgerator
internal Schematic	<p> AC220V L N R0 560K C1 390NF/400V 200R Wire-Wound DB MB10F R1 22R R2 22R E 3.3UF/400V D1 LED D2 LED D3 LED D4 LED D5 LED D6 LED </p>



Input Voltage	220V-240V AC
Power/Wattage	0.80W±10%
Lumen	40LM-10%
Average Lifetime (Hr)	20000 (@Temp. 25°C Humidity ≥ 60%)
Operating Temperature	-20°C-40°C
LED Luminescence	No significant difference of colour and brightness between Light Emitting Diode
Isolation Voltage	Exert 2KV No breakdown or discharge
Lumen Maintenance	1000H ≥ 90%

PCB Specification

Sheet:
 FR-4(Double side)
 (LED-6-12)
 PCB Thickness
 1 mm
 Copper Thickness
 1 ounce
 RoHS Compliant

RoHS Compliant				Unit mm			Scale 1:1
5				Approve	Check	Design	Part Name LED T20X57 220V 0.8W E12/20 Clear (LED:6)
4							
3				DSGN			
2							
1							
Rev	Remarks	Date	Sign				