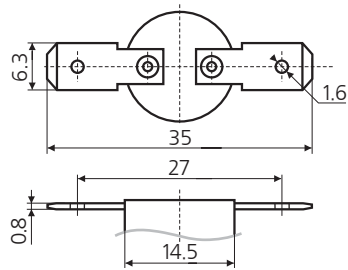


## BASIC TECHNICAL DATA

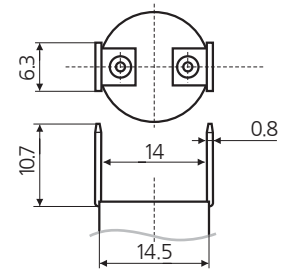
Parameter	Value
Rated voltage, V, not more	~250
Rated current, A, at power coeff. 0,95, not more	10
Rated current, A, at power coeff. 0,6, not more	6,3
Number of automatic cycles, at rated current 10 A and power coeff. 0,95, not less than	10 000
Operating temperature, °C	250 to 425
Tolerance of operating temperature, %	± 6
Reset temperature, lower than operating temperature, °C, on	60 ± 10; 100 ± 10; 150 ± 10
Transient resistance, Ω, not more	0,05
Contact operating time, ms, not more	3
Electric strength of insulation, V, not less than	1500
Insulation resistance, MΩ, not less than	50
Heating speed, K/min	minimum-0,1, maximum-1,0
Degrees of protection provided by enclosure	IP4X

**Table 1.1 (TERMINALS)**

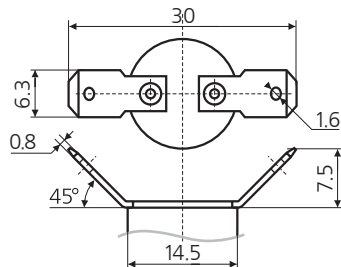
**T 01**



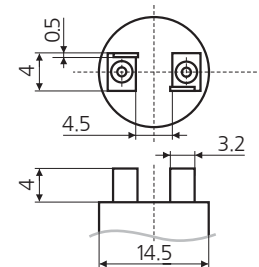
**T 02**



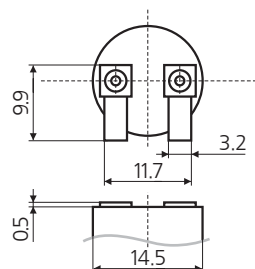
**T 03**



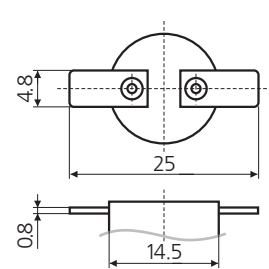
**T 06**



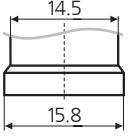
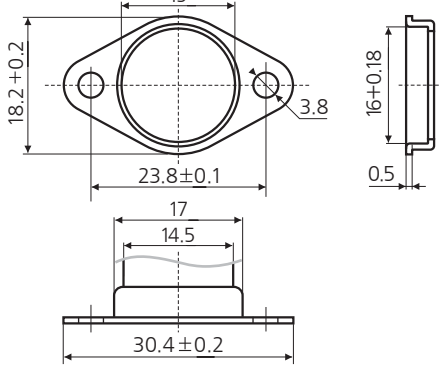
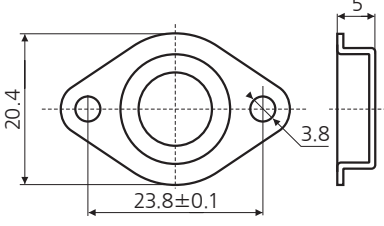
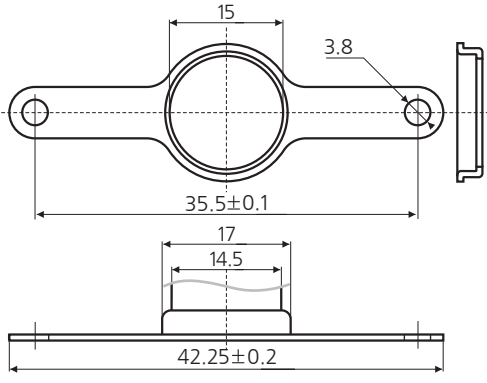
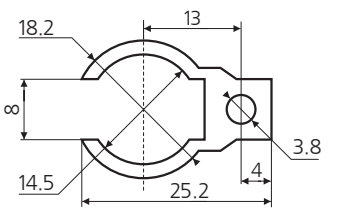
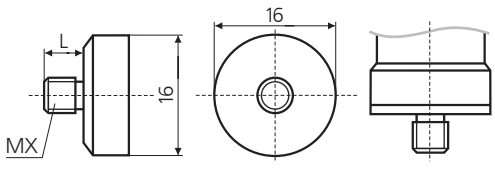
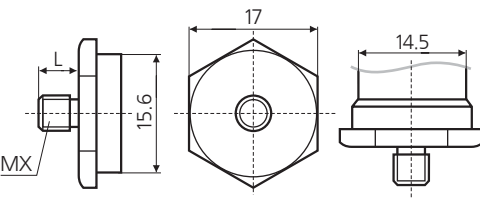
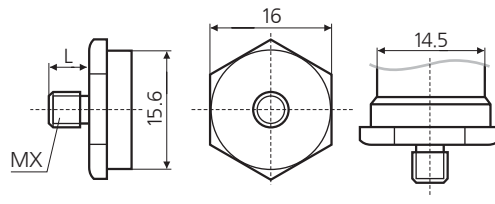
**T 07**



**T 08**



**Table 1.2 (MOUNTING)**

<p><b>MG 00</b> NO MOUNTING</p>		<p><b>MG 01</b> ROTATION OR FIXED CLIP</p>	
<p><b>MG 02</b> CAP-FLANGE</p>		<p><b>MG 03</b> ROTATION CLIP</p>	
<p><b>MG 04</b> CLIP WITH ONE FIXING HOLE</p>		<p><b>MG 06</b> SCREW CAP ROUND</p>	 <p>Screw parameters (MX, L) to be specified on the order form</p>
<p><b>MG 07</b> SCREW CAP HEXAHEDRAL 17</p>	 <p>Screw parameters (MX, L) to be specified on the order form</p>	<p><b>MG 08</b> SCREW CAP HEXAHEDRAL 16</p>	 <p>Screw parameters (MX, L) to be specified on the order form</p>

**Table 1.3 (BODY and/or CASE)**

<p><b>B1C</b> CERAMIC BODY</p>		<p><b>B2C</b> CERAMIC BODY</p>	
--------------------------------	---	--------------------------------	---

**PART ORDERING SYSTEM**

<p><b>TK24HT</b> 1</p>	<p><b>TX</b> 2</p>	<p><b>MGX*</b> 3</p>	<p><b>BXX</b> 4</p>	<p><b>X±X</b> 5</p>	<p><b>X±X</b> 6</p>
----------------------------	------------------------	--------------------------	-------------------------	-------------------------	-------------------------

<p><b>1</b></p>	<p>Thermostat model</p>
<p><b>2</b></p>	<p>Terminals version (select from Table 1.1)</p>
<p><b>3</b></p>	<p>Mounting version (select from Table 1.2)</p>
<p><b>4</b></p>	<p>Body version (select from Table 1.3)</p>
<p><b>5</b></p>	<p>Operating temperature value in °C and tolerance in ± %</p>
<p><b>6</b></p>	<p>Reset temperature value in °C and tolerance in ± %</p>

**Example:** TK24HT - T01 - MG04 - B2C - 350 ± 6% - 200 ± 10%  
 \*For screw cap mountings, screw parameters must be specified when placing an order.