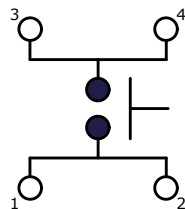
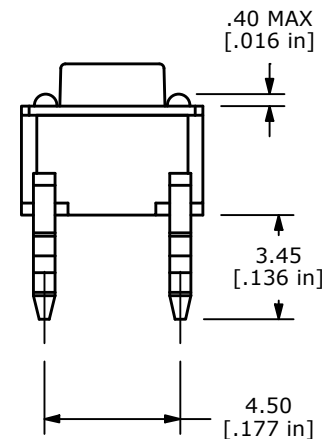
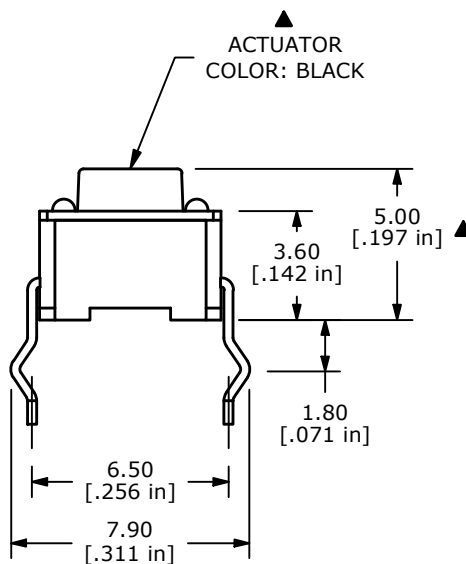
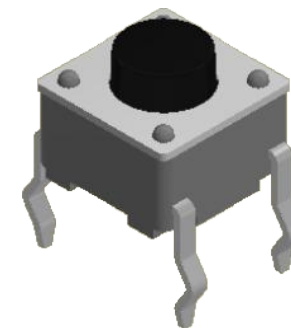
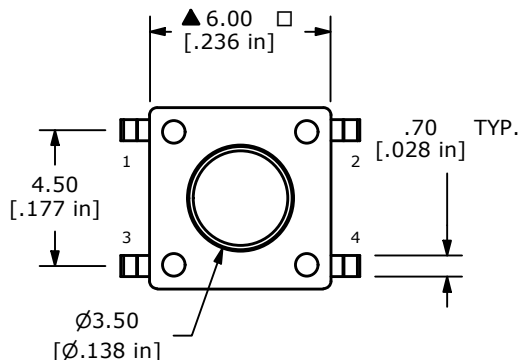


P.C.B. LAYOUT



CIRCUIT: SPST ▲



NOTES:

1. ALL DIMENSIONS IN MM
2. GENERAL TOLERANCE: X.X=±0.4  
X.XX=±0.25
3. TERM. NOS. FOR REFERENCE ONLY.
4. RATING: 12VDC, 50mA
- ▲5. OPERATING FORCE: 160 ± 50 gf
6. TRAVEL: 0.25mm +0.20/-0.10MM
7. CONTACT RESISTANCE: 100 MILLI OHMS MAX. (INITIAL)
8. MECHANICAL/ELECTRICAL LIFE 100,000 CYCLES MIN.
- ▲9. CONTACT MATERIAL: SILVER
10. ▲ DENOTES CRITICAL PARAMETER
11. OPERATING TEMP: -40°C TO 85°C



|     |        |                               |          |    |
|-----|--------|-------------------------------|----------|----|
| D   | 24544  | CHANGED OPERATING TEMPERATURE | 10/19/20 | JM |
| C   | 20846  | REDRAWN                       | 10/25/12 | rc |
| REV | PCR NO | DESCRIPTION                   | DATE     | BY |

|                    |            |    |         |     |
|--------------------|------------|----|---------|-----|
| TITLE TL1105AF160Q |            |    |         |     |
| SCALE              | DATE       | DR | DWG     | REV |
| 4:1                | 10/25/2012 | RC | P010002 | D   |

THE INFORMATION CONTAINED IN THIS DOCUMENT IS PROPRIETARY TO E-SWITCH AND IS NOT TO BE COPIED OR TRANSFERRED