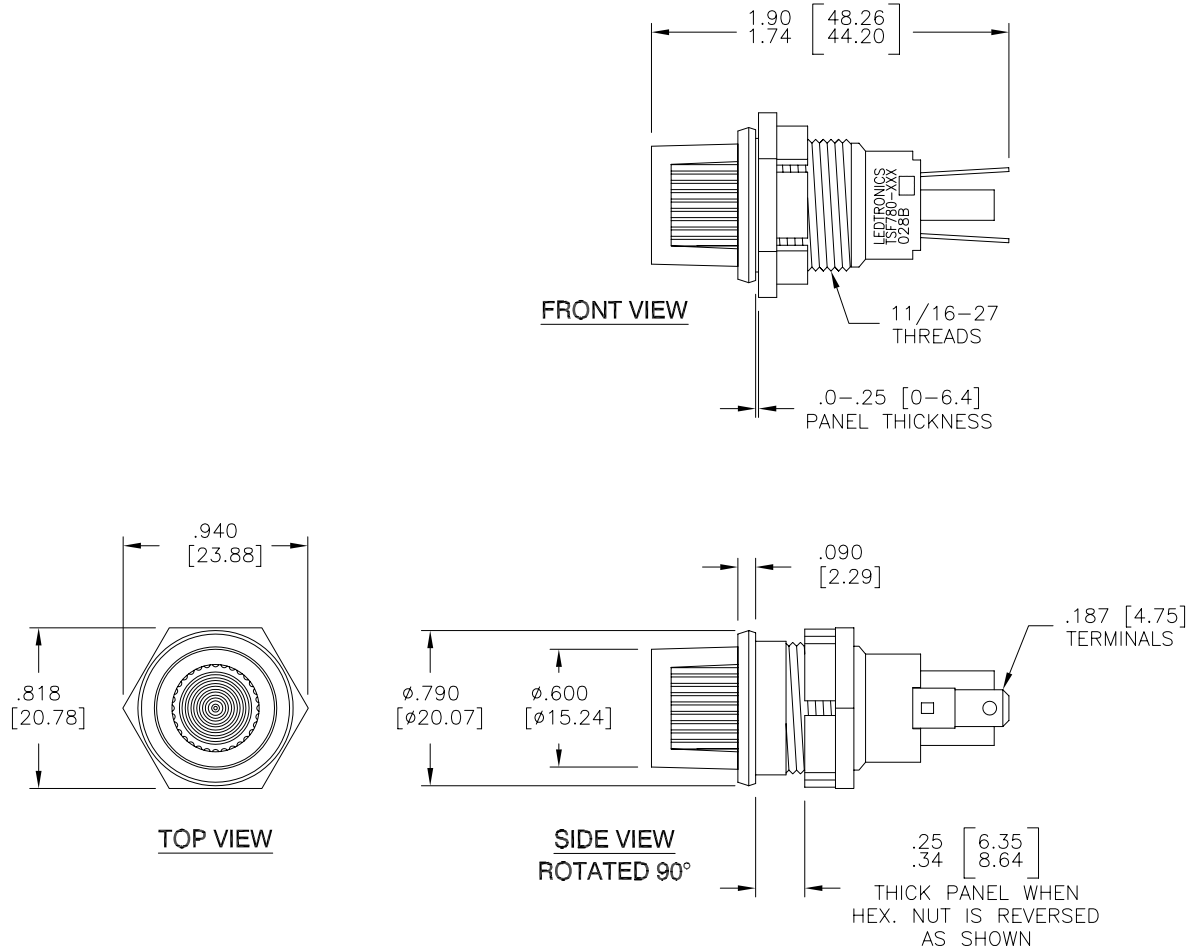


LTR	REVISION	DATE	APPD
A	050311-LUV01: CHG. OAL FROM 1.82 TO 1.74/1.90	05-05-11	GP



NOTES:

1. ALL DIMENSIONS ARE IN INCHES [MILLIMETERS].
2. MOUNTING DIAMETER: Ø11/16"
3. PARTS WITH (*) ARE "RoHS" CERTIFIED.
4. LENS MATERIAL: POLYCARBONATE-UV STABILIZED. (UL94V-2)
5. HOLDER MATERIAL:
 TERMINALS: NICKEL PLATED BRASS
 BODY: BLACK POLYESTER
 HEX NUT: POLYESTER



REVISION NOTIFICATION	
<input type="checkbox"/>	PMA
<input type="checkbox"/>	UL
<input type="checkbox"/>	MADE IN USA
<input type="checkbox"/>	CUSTOMER _____
<input type="checkbox"/>	OTHER

TSF780-0ER-028B	SUPER RED	24/28Vdc	20	250	CLEAR RED	637	120°
TSF780-0UO-028B *	SUPER ORANGE	24/28Vdc	15	98	CLEAR AMBER	610	120°
TSF780-2AG-028B	AQUA GREEN	24/28Vdc	20	750	CLEAR GREEN	518	120°
LEDTRONICS PART NO.	COLOR EMITTED	ELECTRICAL TEST					VIEWING ANGLE FULL BEAM WIDTH @ 50% INTENSITY
		INPUT VOLTAGE, V	Read I mA (typ)	Iv, mcd (typ)	LENS TYPE/COLOR	λP nm	



-PROPRIETARY-
 This document contains Proprietary information of LEDTRONICS, INC. It may not be copied, used or disclosed for any purpose without the prior express written consent of LEDTRONICS, INC.

.XXX ± .010 TOLERANCE PER ANSI-Y14.5
 .XX ± .025 (UNLESS OTHERWISE STATED)
 ANGLES ± 0°,30'
 FRACT. ± 1/32

TITLE TSF780-XXX-028B							
DWG NO CMMS0320-CUST		SCALE 1:1		SHEET 1 OF 1		DATE 06-26-07	
CODE IDENT NO. 8Z410	DWG BY GP	CHK BY 06-26-07	QA 05-05-11	RD 05-06-11	MFG 05-06-11	R&D 05-05-11	BJ