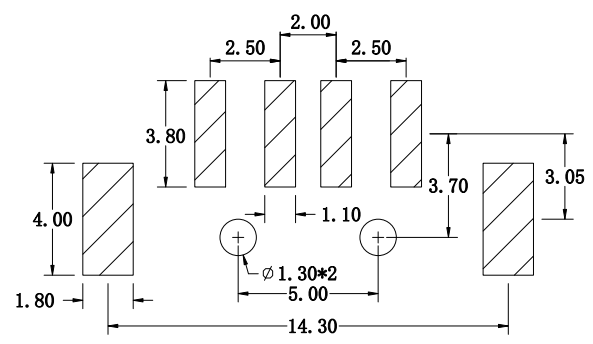
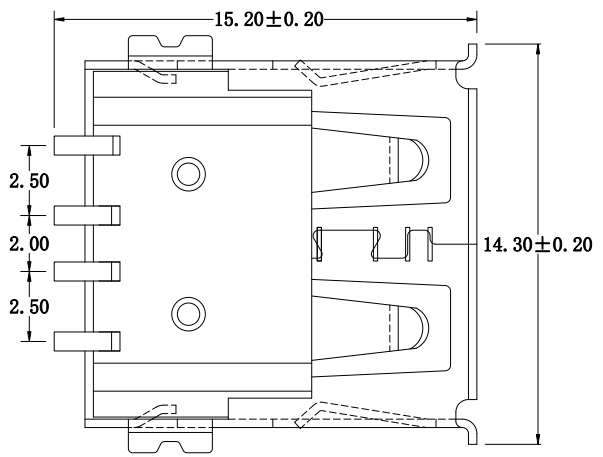
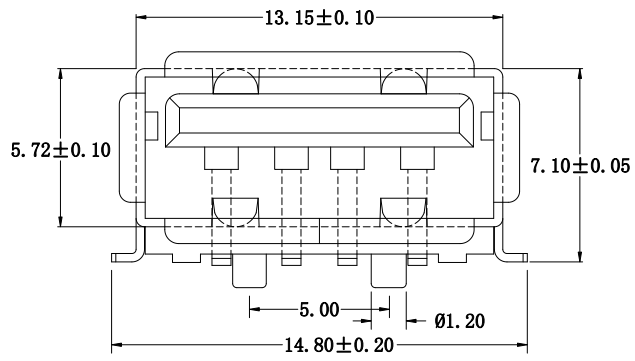
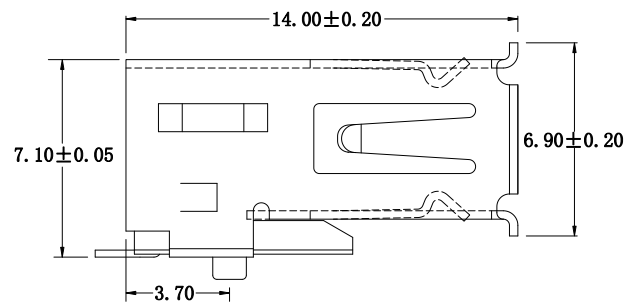


1 2
文件类型: 产品图面

4		5				
REV.	ECN NO.	DESCRIPTION	DRWN	APPD.	DATE.	



Specifications:
Electrical:
 1. Current Rating
 1.5A/contact terminal
 2. Voltage Rating
 30V DC
 3. Contact Resistance
 30 milliohms MAX
 4. Dielectric Withstanding Voltage:
 500 V AC AT Sea Level
 5. Insulation Resistance:
 1000MEGA ohms MIN
Mechanical:
 1. Connector Mate and Unmate Force
 Mate force:3.75kgf (MAX)
 Unmate force:1.02kgf (MIN)
 2. Terminal Retention
 1.2kgf (MIN)
Material:
 1. Housing:
 Hing Temperature Tnermaplastics,
 UI 94V-0 PBT/LCP White/Black
 2. Contact:Copper Alloy C2680
 3. Shell: Copper Alloy C2680/SPCC
Finish:
 1. Contact: Plated Gold in Mating Area;
 Tin On Solder Talls
 2. Shell:
 Nickel Plating

UNITS MM	SCALE 1:1
GENERAL TOLERANCE	
X.	±0.30
X.X	±0.20
X.XX	±0.10
X.°	±3°
X.X°	±2°

上海爱默电子科技有限公司

DR.	Aaron	TITLE: USB A/F 90° SMT			
CHK.	Aaron	MAT'L:	DWG NO: JYUB001-1F		
APPD.	PANYUFENG	DATE: 2011.06.28	P	PART NO:	SIZE A4

1 2 3 4 5 6