

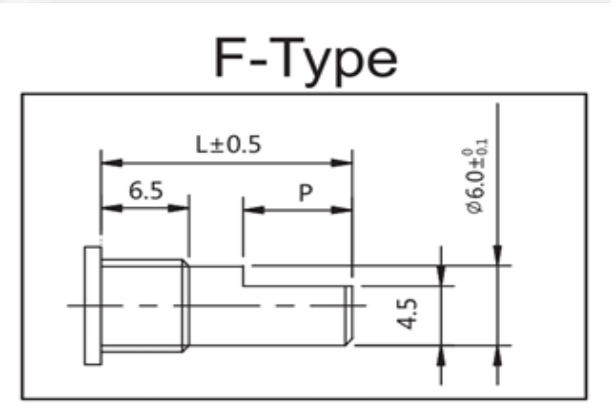
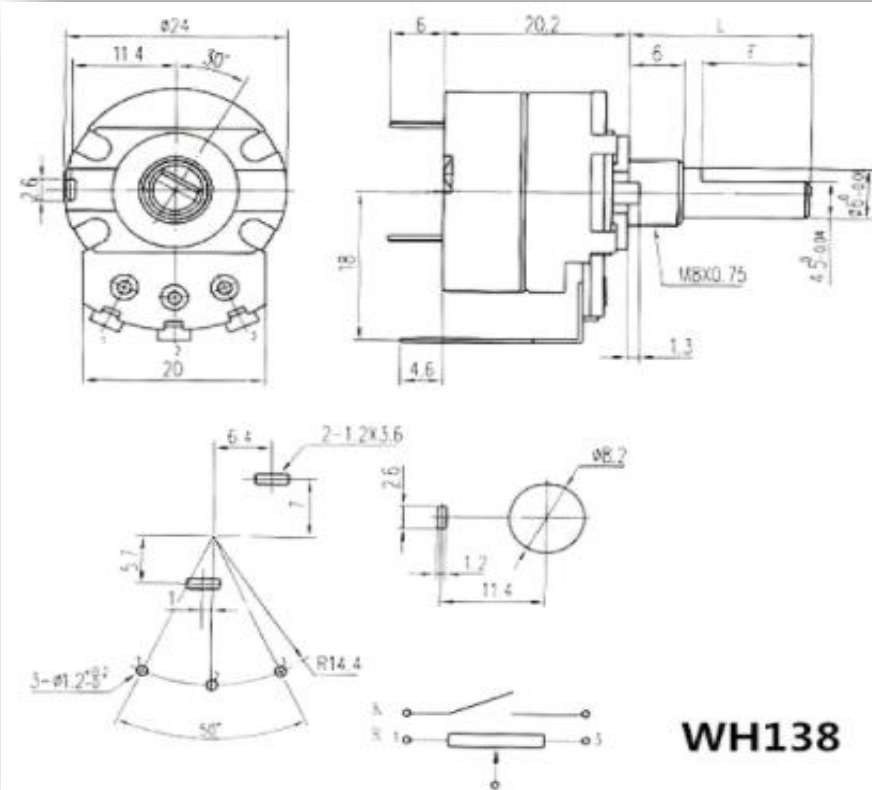
WH138



Short Description:

Carbon Film Potentiometer WH138 Mechanical Characteristics Total Rotational Angle $300^{\circ} \pm 10^{\circ}$ Rotational Torque 20~200gf.cm Stop Strength 6.0kgf.cm Min Switch Working Angle $50^{\circ} \pm 10^{\circ}$ Electrical Characteristics Total Resistance 1K ohm ~ 2M ohm Resistance Tolerance $\pm 20\%$ Resistance Taper B Taper Rated Power 0.5W Max. Operating Voltage 500V Operating Temperature $-10^{\circ}\text{C} \sim +100^{\circ}\text{C}$ Insulation Resistance $\geq 100\text{M ohm}$ at DC 500V Rotational Noise $\leq 47\text{mV}$ Switch Power Rating 1A a...

Carbon Film Potentiometer WH138		
Mechanical Characteristics	Total Rotational Angle	$300^{\circ} \pm 10^{\circ}$
	Rotational Torque	20~200gf.cm
	Stop Strength	6.0kgf.cm Min
	Switch Working Angle	$50^{\circ} \pm 10^{\circ}$
Electrical Characteristics	Total Resistance	1K ohm ~ 2M ohm
	Resistance Tolerance	$\pm 20\%$
	Resistance Taper	B Taper
	Rated Power	0.5W
	Max. Operating Voltage	500V
	Operating Temperature	$-10^{\circ}\text{C} \sim +100^{\circ}\text{C}$
	Insulation Resistance	$\geq 100\text{M ohm}$ at DC 500V
	Rotational Noise	$\leq 47\text{mV}$
	Switch Power Rating	1A at AC/DC 125V
Rotational Life	10,000 cycles	



BOCHEN MPN	SERIES	DESCRIPTION	RESISTANCE	SHAFT LENGTH (L)	(P)
WTH138-AF20B252	WTH138	POT 2.5K	2.5 KOHM	15.0 MM	7 MM
WTH138-AF20B502	WTH138	POT 5k	5.0 KOHM	15.0 MM	7 MM