



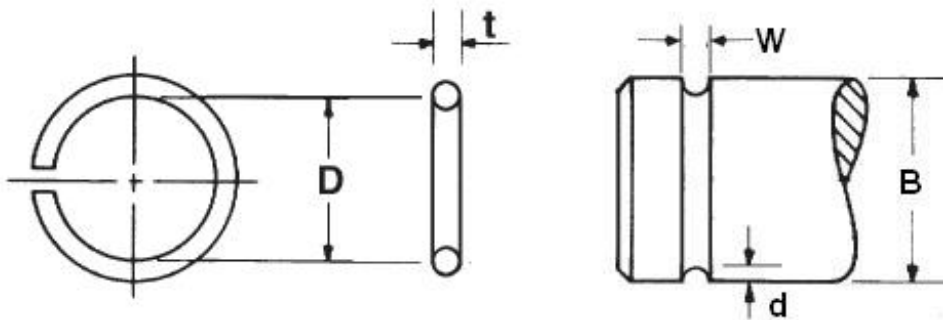
www.americanringmfg.com

XRC-317 Retaining Ring Spec Sheet



Part Number: XRC-317

XRC Series - Round Section Closed Wire Rings



Ring Specs

(D) Free Diameter:	0.288	+0.000 / -0.017	in.
(t) Thickness:	0.035	+0.002 / -0.002	in.
(b) Radial Wall:	0.035	0.002 / -0.002	in.

Groove Specs:

(B) Application Diameter:	0.312		in.
(G) Groove Diameter:	0.290	+0.000 / -0.000	in.
(W) Groove Width:	0.037	+0.000 / -0.000	in.
Groove Depth:	0.011		in.

Other Specs

Approximate Weight per 1000:	0.270		lbs.
-------------------------------------	-------	--	------