



深圳市亞磊科技有限公司

SHENZHEN YALEI TECHNOLOGY CO.,LTD

地址(Add): 广东省深圳市宝安区沙井镇黄埔社区东环路46号厂房1栋9楼
电话(Tel): (86)755-29547103 33938753 传真(Fax): (86)755-33818280

P/N: YLC-G525J₂YG₂-H

Descriptions:

- ◇ φ5.0mm standard type, Low Brightness LED
- ◇ Emitting Color: Yellow-Green
- ◇ Lens color: Water Clear

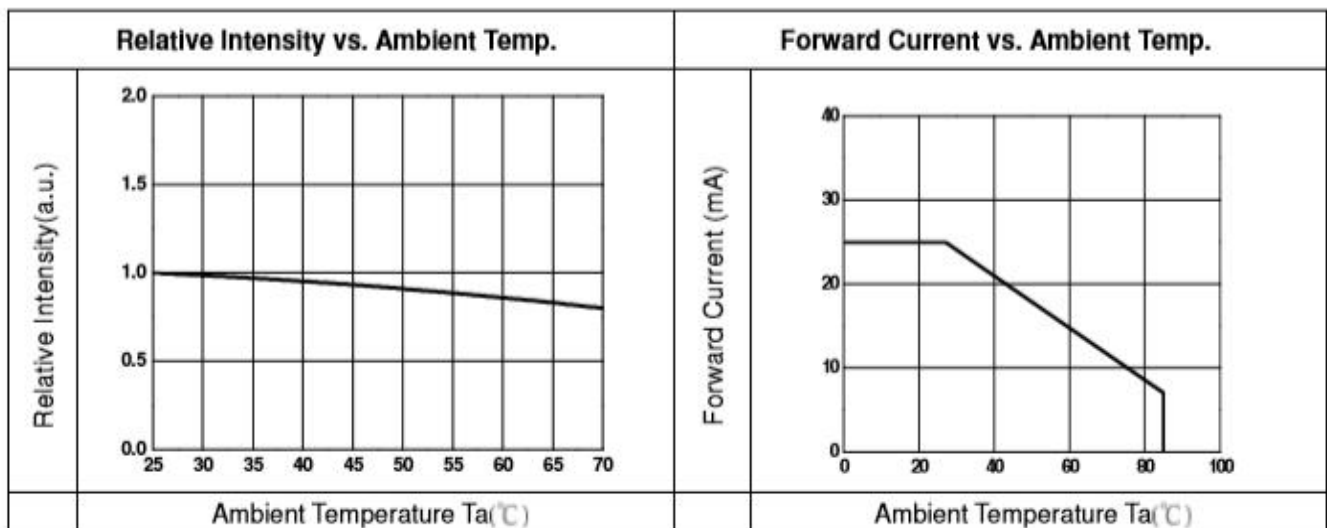


Absolute Maximum Rating(TA=25°C)

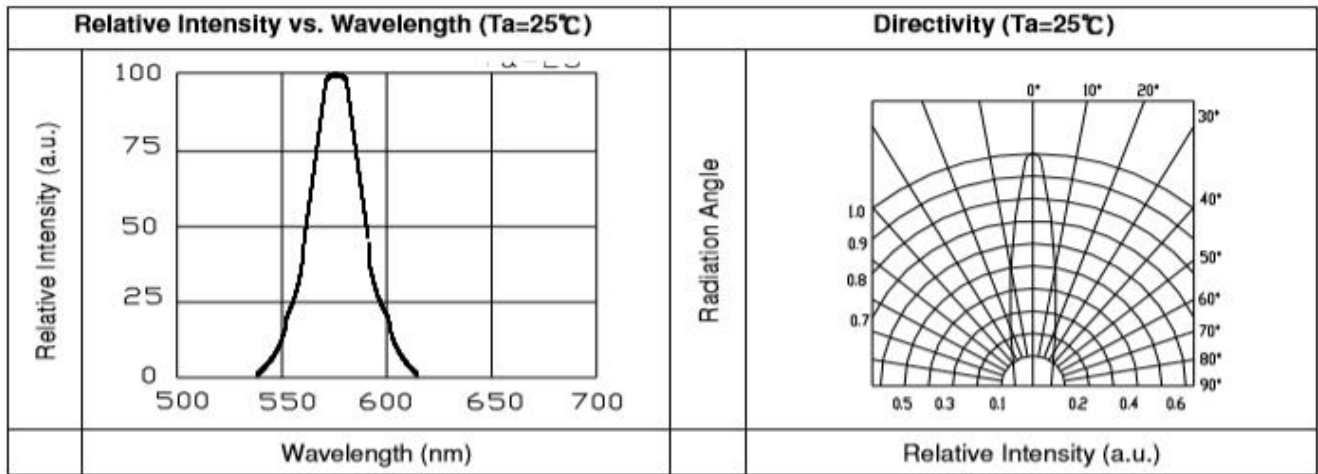
| Items | Symbol | Absolute Maximum Rating | Unit |
|-----------------------------|------------------|------------------------------|------|
| Reverse Voltage | V _R | 5 | V |
| Reverse current | I _R | 5 | uA |
| Peak Current(duty) | I _{FP} | 60 | mA |
| Power Dissipation | P | 180 | mW |
| Operating Temperature range | T _{OPR} | -20 ~ +70 | °C |
| Lead soldering temperature | T _{SOL} | Max. 260°C for 3 second Max. | |

Electro-optical characteristics(TA=25°C)

| Parameter | Symbol | Min | Typ. | Max | Unit | Test Condition |
|--------------------------|-------------------|-----|------|-----|------|----------------|
| Forward voltage | V _F | 1.8 | 2.0 | 2.5 | V | IF=60 mA |
| Luminous intensity | I _v | 100 | | 600 | mcd | IF=60 mA |
| Peak emission wavelength | λ _p | 565 | 570 | 575 | nm | IF=60 mA |
| Half intensity angle | 2θ ^{1/2} | | 25 | | deg | IF=60 mA |



Typical Electro-Optical Characteristics Curves



Application diagram and Dimensions

