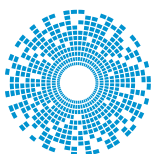




Buffet/Galley Connectors

Connectors, Receptacles & Plugs



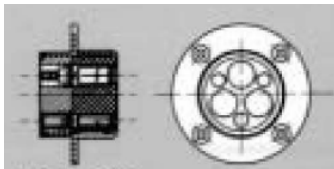
cinch
CONNECTIVITY SOLUTIONS
a bel group

Buffet/Galley Connectors

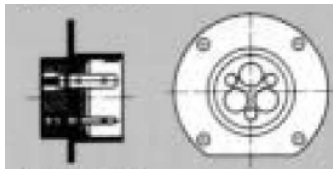
The Buffet (Galley) Connectors are recognized as the industry standard by airframe and Galley equipment Manufacturers worldwide.

Cinch Connectivity Solutions is a leader in quality and innovation in manufacturing this extensive line of connectors. Manufactured using FAA approved Quality Assurance Procedures (FAR Part 2).

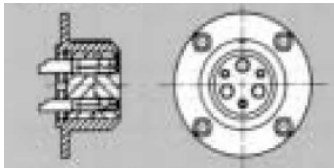
Cinch Connectivity Solutions produces high quality products. These products are intended to be used in accordance with the specifications described in this catalog. Any use or application that deviates from the stated operating specifications is not recommended and may be unsafe. A limited warranty is applicable. Except for obligations assumed by Cinch Connectivity Solutions under warranty, Cinch will be not be liable for any loss, damage, repairs, incidental or consequential damages of any kind, whether or not based upon expressed or implied warranty, contract, negligence, or liability arising from the application or manufacture or repair of these products. This catalog is not a contractual offering; it is for informational purposes only.



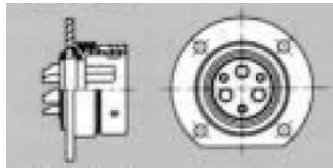
ACR-6-33



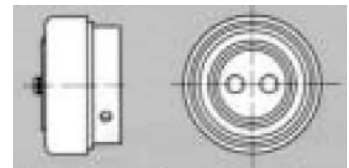
ACR-6-34



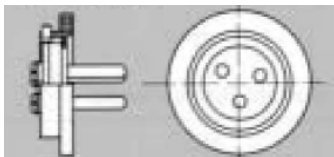
ACC-6-33



ACC-6-34



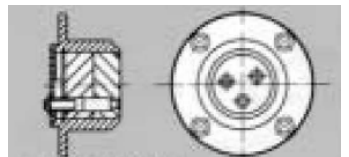
AC16534/-1



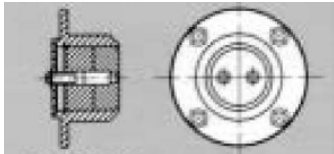
AC16706-1/-2/-5



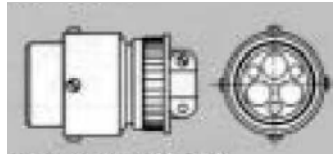
AC16813



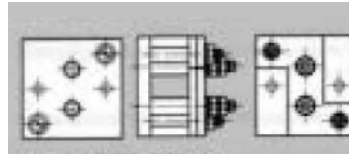
AC16707/-2



AC16371



ACC-6-21CG-3/4



AC13303/-1/-2

A Manufacturer of Quality Connectors

PART NUMBER CROSS REFERENCE

RECEPTACLES		PLUGS	
Cinch	ITT CANNON	Cinch	ITT CANNON
ACIH-33 (CIUIIPJ)	Not Available	ACR-6-34 (CRIMP)	Not Available
ACC13303-2	CA13303-2	ACC-6-34	BUC-6-34
ACC13303-1	CA13303-t	AC16706-5S'	Not Available
ACC13303	CA13303	AC16706-5	CA16706-5
ACC-6-33	BUC-6-33	AC16706-1S'	Not Available
ACC-6-21 CG-3/4	BUC-6-21CG-3/4	AC16706-1	CA16706-1
AC16707-2	CA16707-2	AC16534-1S'	Not Available
AC16707	CA16707	AC16534-1	CA16534-1
AC16371	CA1637t	AC16534	CA16534
		AC16113	CA16813
		AC16706-2	CA16706-2

MATING GUIDE

RECEPTACLES (SOCKET CONTACTS)	PLUGS (PIN CONTACTS)										
	ACR-6-34 (CRIMP)	ACC-6-34	AC16706-5S'	AC16706-5	AC16706-1S'	AC16706-1	AC16534-1S'	AC16534-1	AC16534	AC16113	AC16706-2
ACR-6-33 (CRIMP)	X	X									
ACC-6-33	X	X									
ACC-6-21 CG-3/4	X	X									
AC16707					X	X					X
AC16707-2			X	X							
AC16371							X	X	X	X	
ACC13303											
ACC13303-1											
ACC13303-2											

"NOTE • = Stainless Steel Shell

"ACC-and are registered trademarks of Cinch Connectivity Solutions

Electrical Data

Termination Type:

ACA =Crimp

AC. ACC = Solder or Screw-Post

(Screw size = No. 4 or No. 2 as shown for applicable connector)

Materials and Finishes:

Shells: Steel, Brass. or Aluminum
(finish as noted per connector)

Contacts: Copper Alloy. Silver Plated

Operating Voltage:

28 VDC, 120 VAC

Contact Electrical Ratings:

NOTE: Current ratings are for bundled cables

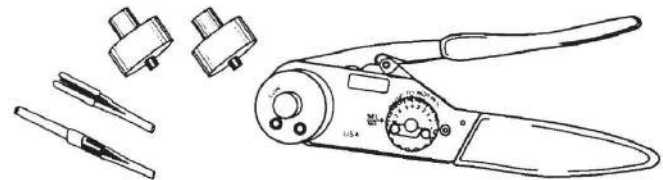
Solder Contact or Screw Size	Current Rating/Amps.
4 Ga.	80
10 Ga. or No. 4 Screw	30
12 Ga. or No. 2 Screw	10

Crimp Contact and AWG Wire Size	Current Rating/Amps.
10 Ga. with 10 AWG	30
10 Ga. with 14 AWG	17
10 Ga. with 16 AWG	13
4 Ga. with 14 AWG	17
4 Ga. with 16 AWG	13

Termination Tooling

CONTACT PIN	DESCRIPTION	ACRTC01 SETTING
806-0599-130	#10P-10 AWG	8
857-0591-130	#10S-10 AWG	8
806-0599-130/A	#10P-12-AWG	5
857-0591-130/A	#10S-12 AWG	5
806-0599-130/B	#10P-14/16 AWG	5
857-0591-130/B	#10S-14/16 AWG	5
806-0598-130	#4P-14/16 AWG	5
85 7-0590-130	#4S-14/16 AWG	5

USED WITH ACRTC01



ACRTC01 TOOL KIT

PART NUMBER OR IDENTIFYING NUMBER	NOMENCLATURE DESCRIPTION
ACRTC01	CRIMP TOOL
ACRTC01/A	ADAPTER
ACRTC01/B	ADAPTER
ACRTC01 /C	ADAPTER
M81969/14-05	PLASTIC REMOVAL TOOL
M81969/14-06	PLASTIC REMOVAL TOOL

A Manufacturer of Quality Connectors

PART NUMBER CROSS REFERENCE

RECEPTACLES		PLUGS	
Cinch	ITT CANNON	Cinch	ITT CANNON
ACIH-33 (CIUIPJ	Not Available	ACR-6-34 (CRIMP)	Not Available
ACC13303-2	CA13303-2	ACC-6-34	BUC-6-34
ACC13303-1	CA13303-t	AC16706-5S'	Not Available
ACC13303	CA13303	AC16706-5	CA16706-5
ACC-6-33	BUC-6-33	AC16706-1S'	Not Available
ACC-6-21 CG-3/4	BUC-6-21CG-3/4	AC16706-1	CA16706-1
AC16707-2	CA16707-2	AC16534-1S'	Not Available
AC16707	CA16707	AC16534-1	CA16534-1
AC16371	CA1637t	AC16534	CA16534
		AC16113	CA16813
		AC16706-2	CA16706-2

MATING GUIDE

RECEPTACLES (SOCKET CONTACTS)	PLUGS (PIN CONTACTS)										
	ACR-6-34 (CRIMP)	ACC-6-34	AC16706-5S'	AC16706-5	AC16706-1S'	AC16706-1	AC16534-1S'	AC16534-1	AC16534	AC16113	AC16706-2
ACR-6-33 (CRIMP)	X	X									
ACC-6-33	X	X									
ACC-6-21 CG-3/4	X	X									
AC16707					X	X					X
AC16707-2			X	X							
AC16371							X	X	X	X	
ACC13303											
ACC13303-1											
ACC13303-2											

"NOTE • = Stainless Steel Shell

"ACC-and are registered trademarks of Cinch Connectivity Solutions

Electrical Data

Termination Type:

ACA =Crimp

AC. ACC = Solder or Screw-Post

(Screw size = No. 4 or No. 2 as shown for applicable connector)

Materials and Finishes:

Shells: Steel, Brass. or Aluminum
(finish as noted per connector)

Contacts: Copper Alloy. Silver Plated

Operating Voltage:

28 VDC, 120 VAC

Contact Electrical Ratings:

NOTE: Current ratings are for bundled cables

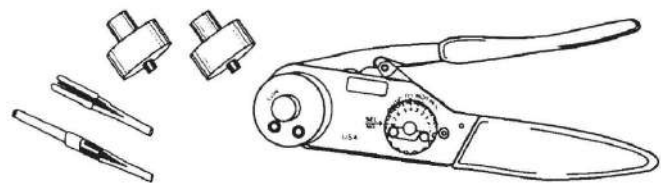
Solder Contact or Screw Size	Current Rating/Amps.
4 Ga.	80
10 Ga. or No. 4 Screw	30
12 Ga. or No. 2 Screw	10

Crimp Contact and AWG Wire Size	Current Rating/Amps.
10 Ga. with 10 AWG	30
10 Ga. with 14 AWG	17
10 Ga. with 16 AWG	13
4 Ga. with 14 AWG	17
4 Ga. with 16 AWG	13

Termination Tooling

CONTACT PIN	DESCRIPTION	ACRTC01 SETTING
806-0599-130	#10P-10 AWG	8
857-0591-130	#10S-10 AWG	8
806-0599-130/A	#10P-12-AWG	5
857-0591-130/A	#10S-12 AWG	5
806-0599-130/B	#10P-14/16 AWG	5
857-0591-130/B	#10S-14/16 AWG	5
806-0598-130	#4P-14/16 AWG	5
85 7-0590-130	#4S-14/16 AWG	5

USED WITH ACRTC01



ACRTC01 TOOL KIT

PART NUMBER OR IDENTIFYING NUMBER	NOMENCLATURE DESCRIPTION
ACRTC01	CRIMP TOOL
ACRTC01/A	ADAPTER
ACRTC01/B	ADAPTER
ACRTC01 /C	ADAPTER
M81969/14-05	PLASTIC REMOVAL TOOL
M81969/14-06	PLASTIC REMOVAL TOOL

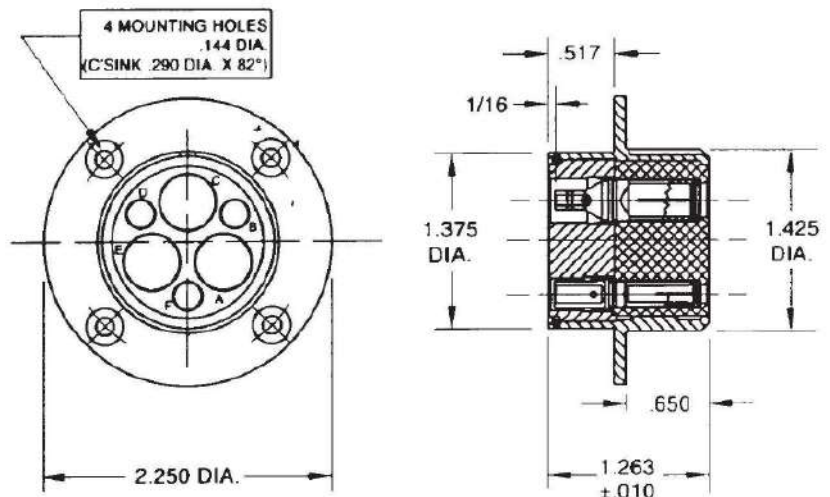


ACR-6-33/ * ACR-6-33/B

(B=Without Socket Contacts)

A six-contact Receptacle, ACR-6-33 has an aluminum alloy shell with anodized finish. Insulating material is PPS. Three #4 socket and three #10 socket crimp contacts are silver plated brass with crimp terminations.

NOTE: Shown with contacts installed for illustrative purposes only.

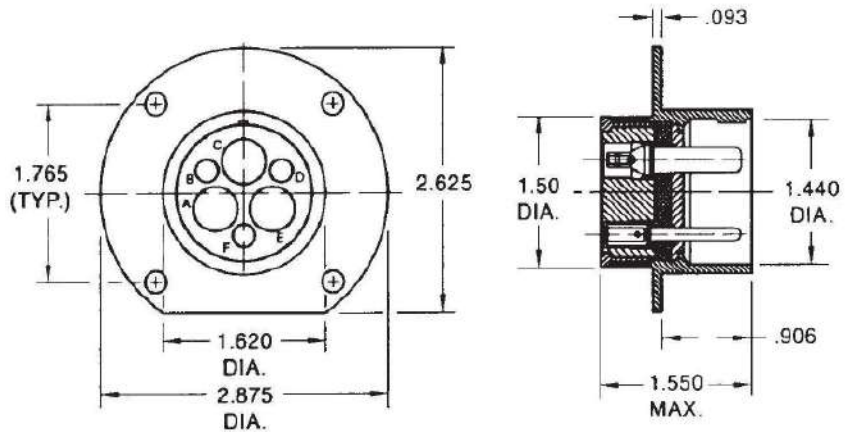


ACR-6-34/ * ACR-6-34/A

(A=Without Pin Contacts)

A six-contact Plug, ACR-6-34 has an aluminum alloy shell with anodized finish. Insulating material is PPS. Three #4 pin and three #1 O pin crimp contacts are silver plated brass with crimp terminations.

NOTE: Shown with contacts installed for illustrative purposes only.



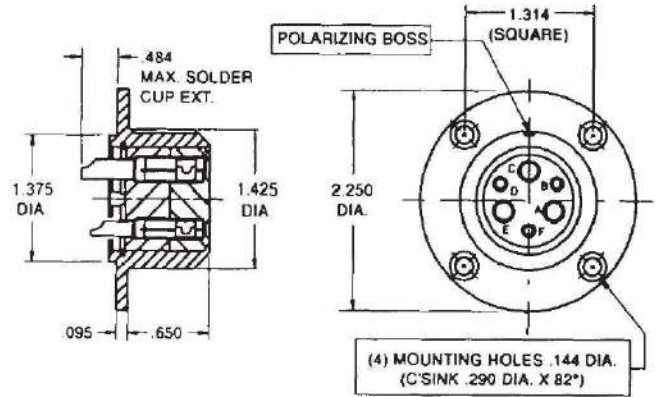
Contact Selector Guide

/*	Quantity	Contact Gauge	Crimp well WireAWG	ACR-6-33 Socket Contact Part No.	ACR-6-34 Pin Contact Part No.
/1	1	10	10	857-0591-130	806-0599-130
	2	10	14/16	857-0591-130/B	806-0599-130/B
	3	4	14/16	857-0590-130	806-0598-130
/2	2	10	10	857-0591-130	806-0599-130
	1	10	14/16	857-0591-130/B	806-0599-130/B
	3	4	14/16	857-0590-130	806-0598-130
/3	3	10	10	857-0591-130	806-0599-130
	3	4	14/16	857-0590-130	806-0598-130
/4	3	10	14/16	857-0591-130/B	806-0599-130/B
	3	4	14/16	857-0590-130	806-0598-130

* ACC™ -6-33

A six-contact Receptacle, ACC-6-33 has an aluminum alloy shell with anodized finish. Insulating material is PPS. Three #4 socket and three #10 socket contacts are silver plated brass solder cup termination.

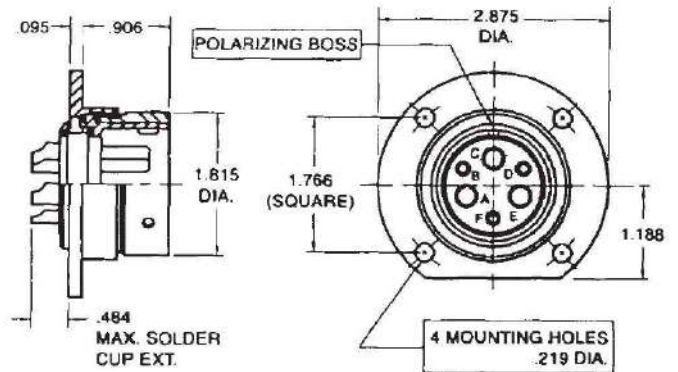
*see part ACR-6-33 for crimp termination equivalent.



* ACC™ -6-34

A six-contact. Panel Mount Plug, ACC-6-34 has an aluminum alloy shell with anodized finish. Insulating material is PPS. Three #4 pin and three #10 pin contacts are silver plated brass with solder cup termination.

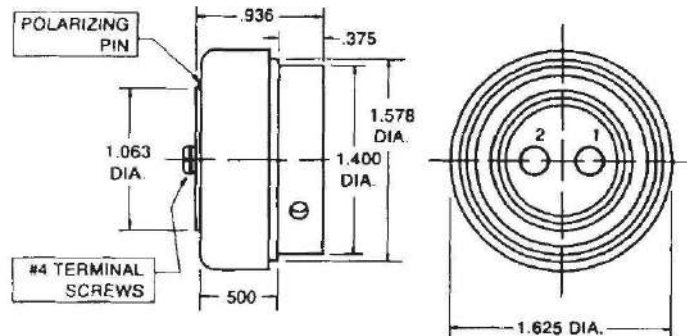
·see part ACR-6-34 for crimp termination equivalent.



AC16534

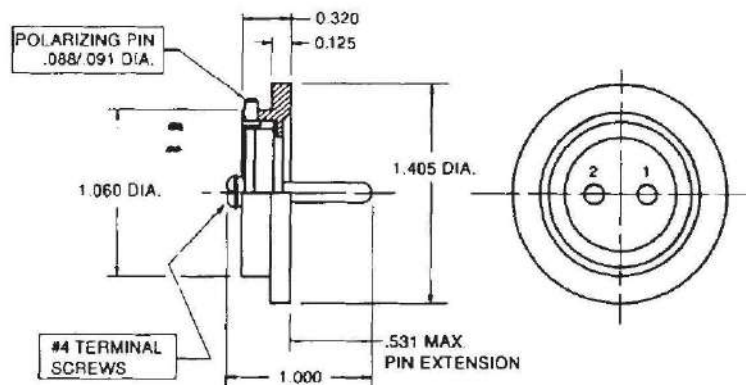
A two contact Plug, AC16534 has a stainless steel shell with natural finish. Insulating material is PPS. Brass contacts are silver plated. Screw-type termination.

NOTE: Consult factory for availability.



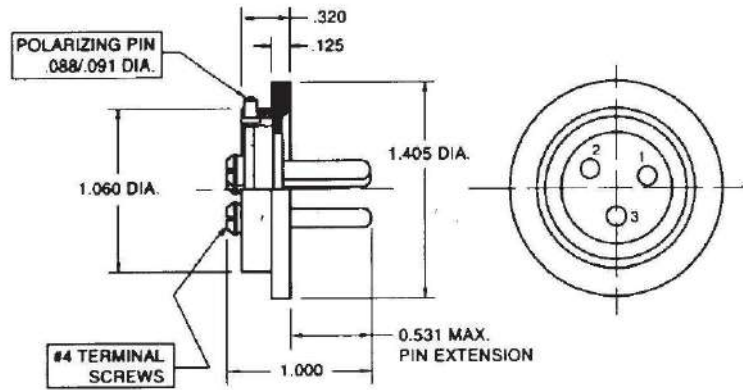
AC16534-1

A two contact Plug, AC16534-1 has a nickel plated brass shell. Insulating material is PPS. Brass contacts are silver plated. Screw-type termination. Also available in stainless steel as part number AC16534-1 S.



AC16706-1

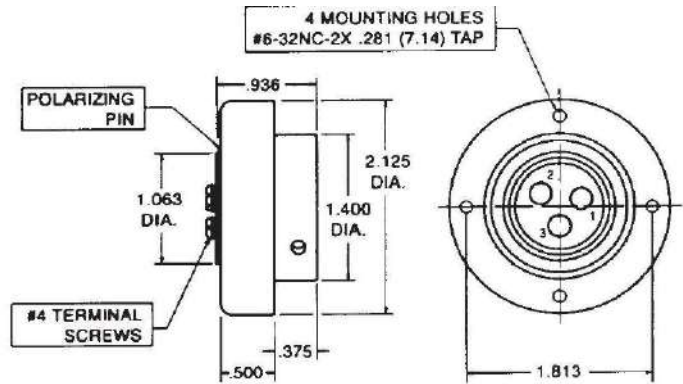
A three contact Plug, AC16706-1 has a nickel plated brass shell. Insulating material is PPS. Brass contacts are silver plated. Screw-type termination. Also available in stainless steel as part number AC16706-1 S.



AC16706-2

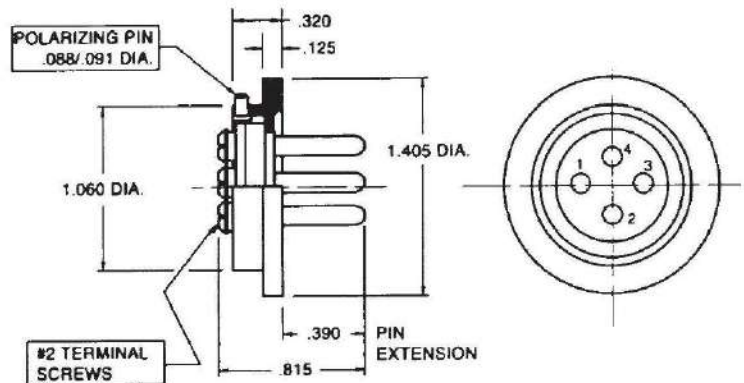
A three contact Plug, AC16706-2 has a nickel plated brass shell. Insulating material is PPS. Brass contacts are silver plated. Screw-type termination.

NOTE: Consult factory for availability.



AC16706-5

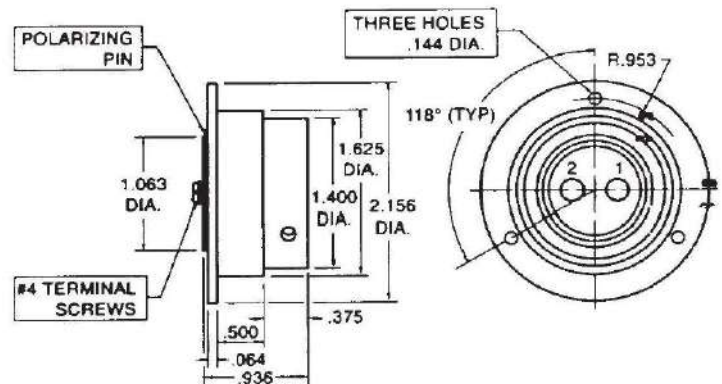
A four contact Plug, AC16706-5 has a nickel plated brass shell. Insulating material is PPS. Brass contacts are silver plated. Screw-type termination. Also available in stainless steel as part number AC16706-5S.



AC16813

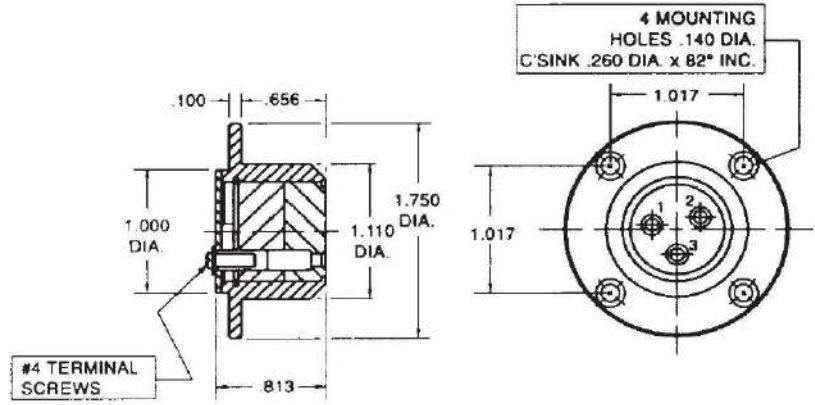
A two contact Plug, AC16813 has a stainless steel shell with natural finish. Insulating material is PPS. Brass contacts are silver plated. Screw-type termination.

NOTE: Consult factory for availability



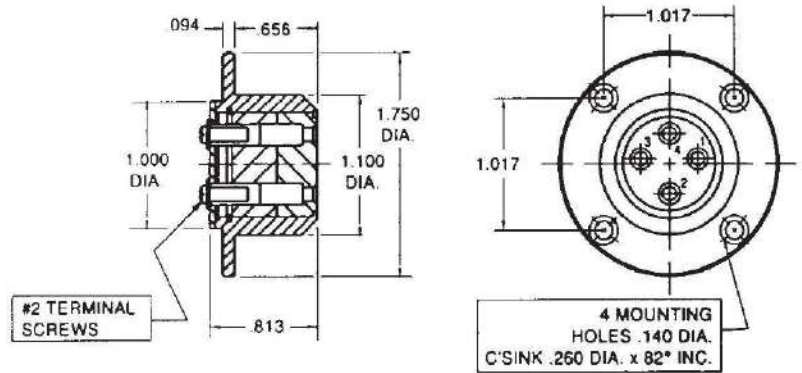
AC16707

A three contact Receptacle, AC16707 has a stainless steel shell with natural finish. Insulating material is PPS. Brass contacts are silver plated. Screw-type termination.



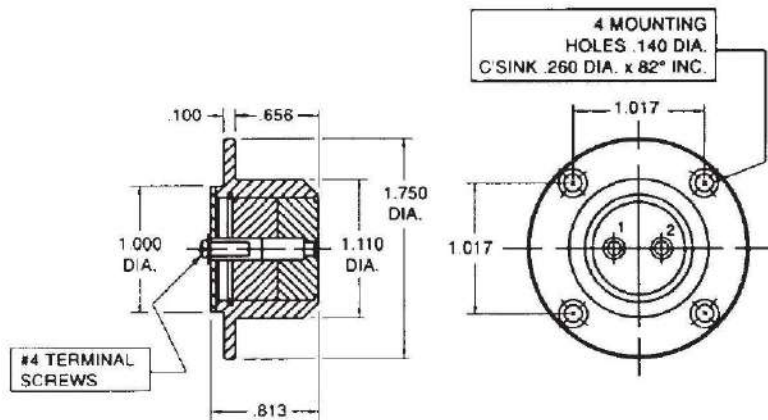
AC16707-2

A four contact Receptacle, AC 16707-2 has a stainless steel shell with natural finish. Insulating material is PPS. Brass contacts are silver plated. Screw-type termination.



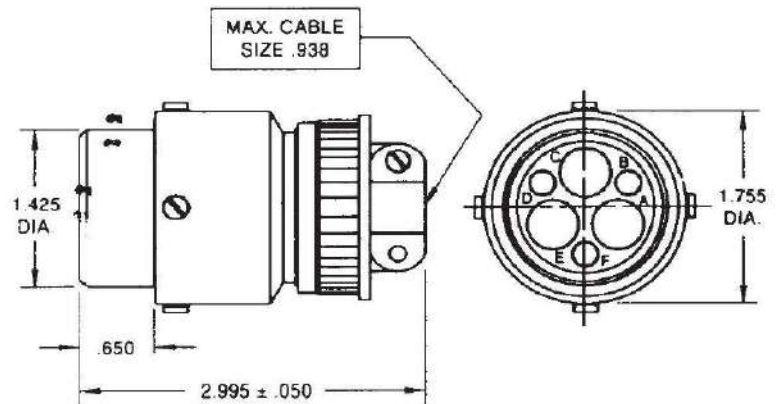
AC16371

A two contact Receptacle, AC 16371 has a stainless steel shell with natural finish. Insulating material is PPS. Brass contacts are silver plated. Screw-type termination.



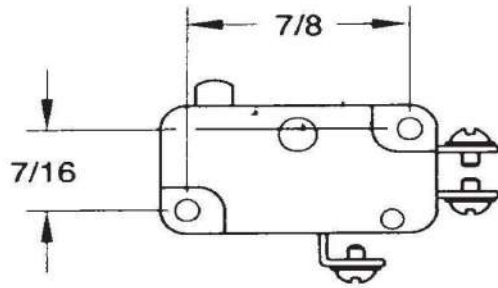
AC™ 16813

A six contact Receptacle, ACC-6-21CG-3/4 has an aluminum alloy shell with anodized finish. Insulating material is PPS. The three #4 Socket and three #10 Socket Contacts are silver plated brass with solder cup termination.



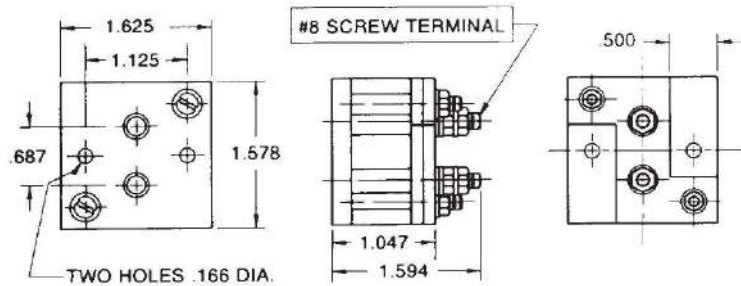
Limit Switch

Both AC13303-1 and AC13303-2 may be used with a limit switch, (AN3134-1 or MS25253-1) supplied by the customer. If a limit switch is to be supplied by Cinch, the connector part number will read AC 13303-1 LS or AC 13303-2LS.



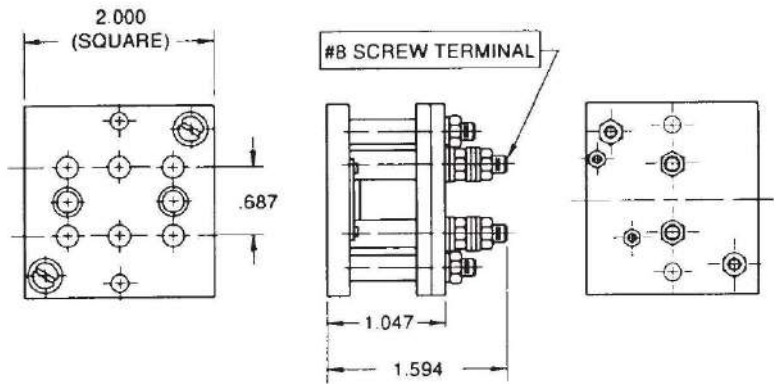
AC13303

AC13303 is a Warmer (Hot cup) panel-type Receptacle. The insulating material is made of fabricated phenolic.



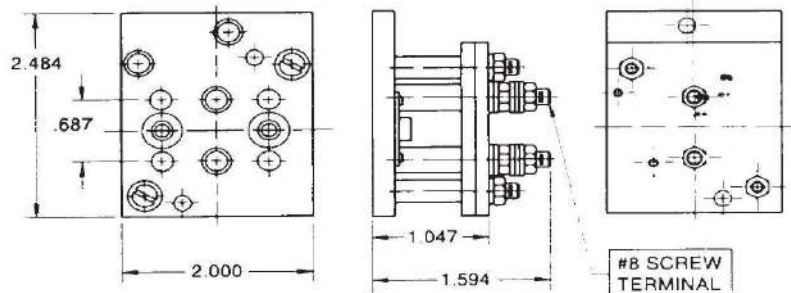
AC13303-1

AC13303-1 is a Warmer (Hot cup) panel-type Receptacle. The insulating material is made of Melamine for higher temperature resistance. It is supplied with an actuator for a limit switch.



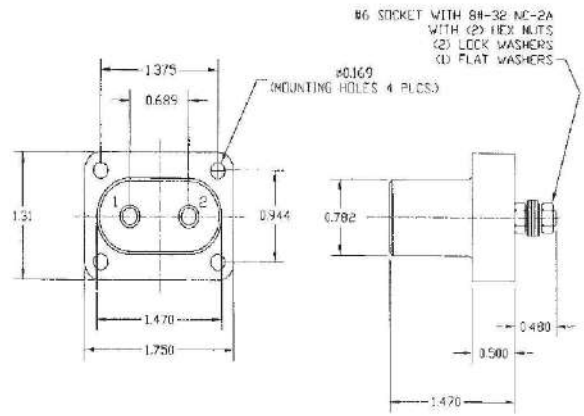
AC13303-2

AC13303-2 is a Warmer (Hot cup) panel-type Receptacle with a longer base. The insulating material is made of Melamine for higher temperature resistance. It is supplied with an actuator for a limit switch.



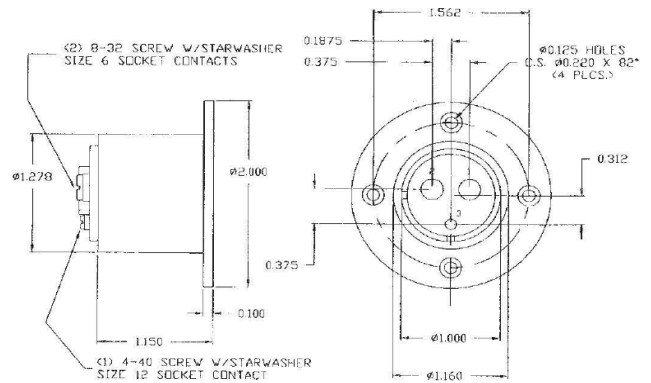
AC16099

AC16099 is a two contact (Hot jug) panel-type Receptacle. The insulating material is a black thermoplastic. The contacts are copper alloy, silver-plated with screw-type termination.



ACHC-3-13

A three contact Receptacle, ACHC-3-13 has an aluminum alloy shell with anodized finish. The 2 #6 and 1 #12 socket contacts are copper alloy, silverplated. Screw-type termination.



Cinch Connectivity Solutions produces high quality products. These products are intended to be used in accordance with the specifications described in this catalog. Any use or application that deviates from the stated operating specifications is not recommended and may be unsafe. A limited warranty is applicable except for obligations assumed by Cinch Connectivity Solutions under warranty.

Cinch will not be liable for any damages or repairs, incidental or consequential damages of any kind, whether or not based upon expressed or implied warranty, contract, negligence, or liability arising from the application or manufacture or repair of these products. This catalog is not a contractual offering, it is for informational purposes only.



Other Quality Connectors



QPL'd MIL-C-5015 & Special Connectors
for Commercial Applications



Omega
MIL-C-26500 – Cylindrical Connectors



QPL'd MIL-C-26482 Series I
Solder and Crimp Connectors



Expanded Beam Fiber Optics



Buffet/Galley Connectors
Solder and Crimp Connectors



Dura-Con™
Microminiature-D Connectors



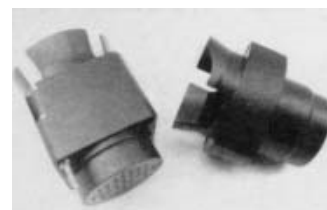
Filtered Connectors
Solder and Crimp Connectors



Rugged Acme Thread Connectors
for Industrial Electrical Equipment



Quick Disconnect Connectors
Solder and Crimp Types



Special Cryogenic Connectors

belfuse.com/cinch



Cinch Connectivity Solutions US Headquarters

1700 Finley Road
Lombard, IL 60148 USA
+1 630.705.6000
inquiry@us.cinch.com

299 Johnson Drive SW
Suite 100
Waseca, MN 56093 USA
+1 507.833.8822
ccsorders@us.cinch.com

Cinch Connectivity Solutions Asia Pacific Headquarters

Building 1, No. 800 ShenFu Road
XinZhuang Industry Park
Shanghai, China 201108
+86 21 5442 7668
ccs.asia.sales@as.cinch.com

Cinch Connectivity Solutions Ltd European Headquarters

11 Bilton Road
Chelmsford, Essex CM1 2UP UK
+44 (0) 1245 342060
CinchConnectivity@eu.cinch.com

About Cinch Connectivity Solutions

In operation since 1917, Cinch Connectivity Solutions supplies high quality, high performance connectors and cables globally to the Aerospace, Military-Defense, Broadcast, Commercial Transportation, Fiber Optic Connectivity, Healthcare, Oil & Gas, High End Computer, Wireless Communications, and other markets. We provide custom solutions with our creative, hands on engineering and end to end approach.

For more information, visit belfuse.com/cinch

