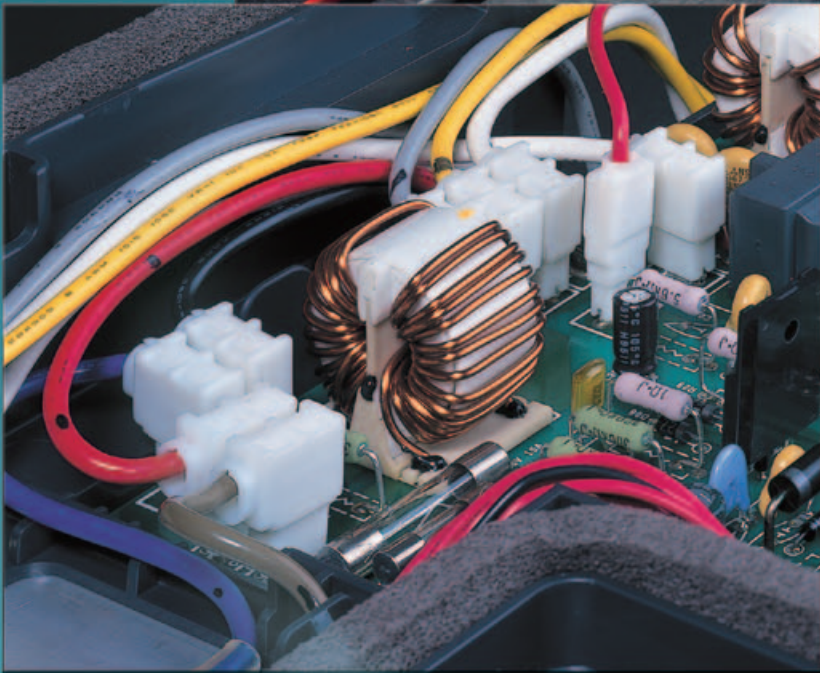
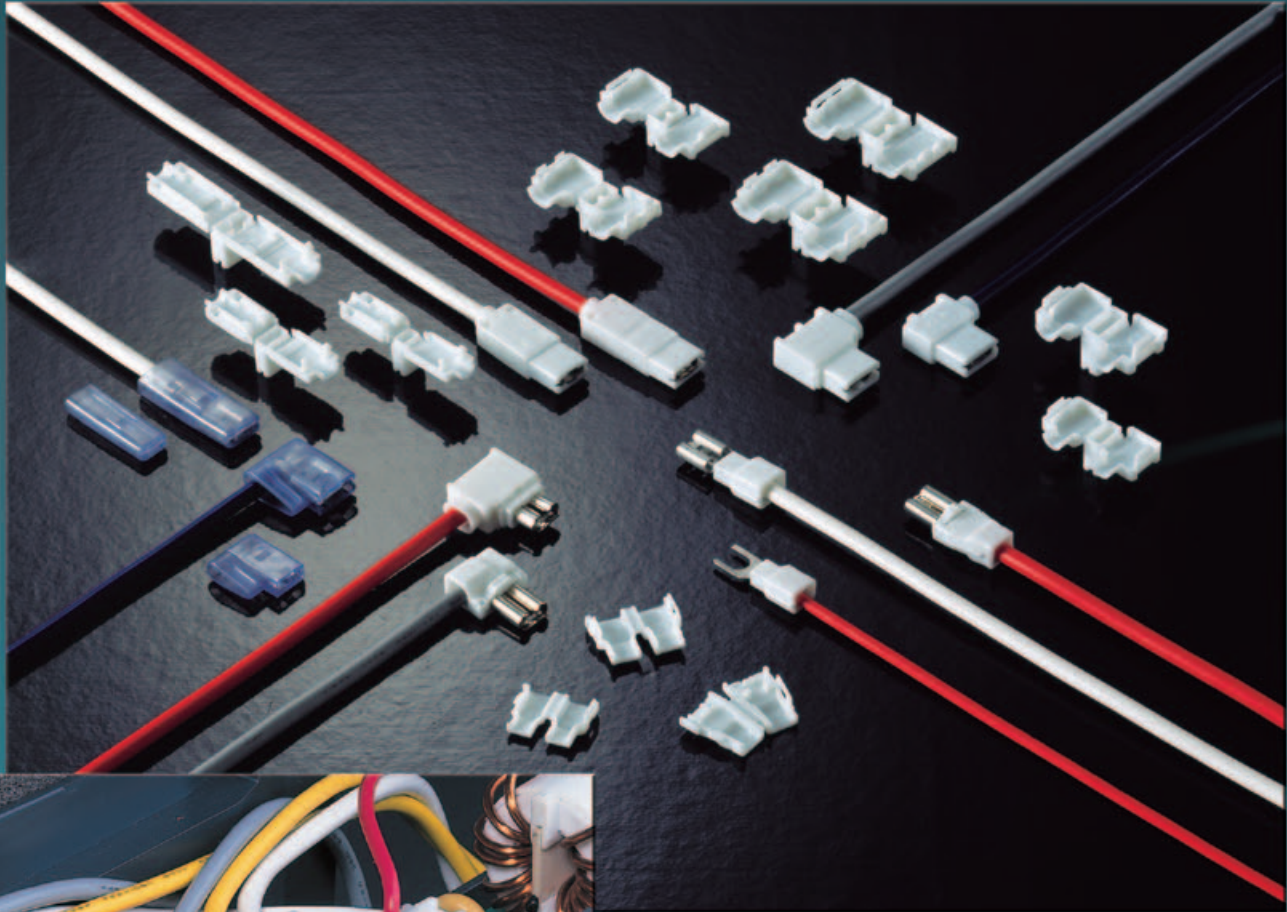


# WIRING ACCESSORY





# SHINAGAWA SHOKO INSULATION SLEEVE FOR TERMINAL

● One-touch sleeve	OS/OF series .....	10 · 11
	PS/PF series .....	12
	FPS/FW series .....	13
	HF-250U .....	14
● Crimp cover®	CPS series .....	14
	CPS-250U/CPF-250U .....	15
● Connector sleeve	DS/DS-P series .....	16
	DF series .....	17





# One touch sleeve

## OS/OF series

INSULATION SLEEVE FOR TERMINAL

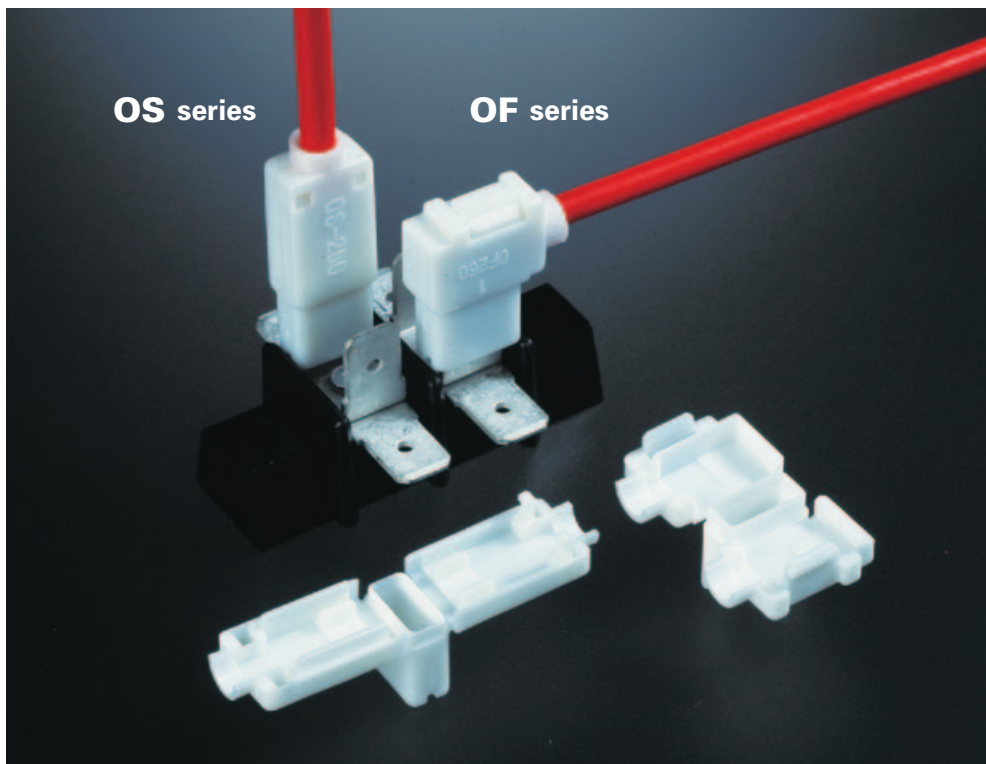
CIRCUIT BOARD ACCESSORY

WIRING CLAMP

WIRING PROTECTOR

FASTENER

DIP-MOLDED PRODUCT



※ Red and blue colors are also stocked for OS-110, OS-187, OS-250, OF-187 and OF-250.



### Feature

- Insulation sleeve for straight and flag-type terminal.
- Can be attached after the terminal slotted onto the tab.
- Stay firmly onto the tab with shoulder owing to the slit aside of the sleeve.
- Prevent terminal from the foreign object coming through the cable entry.

### Material

Nylon 6 UL94V-2  
Nylon 66 UL94V-0

### Standard color

Nylon 6: Natural  
Nylon 66: White

(Red and blue colors are also stocked for OS-110, OS-187, OS-250, OF-187 and OF-250)



**UL recognized product E55167**

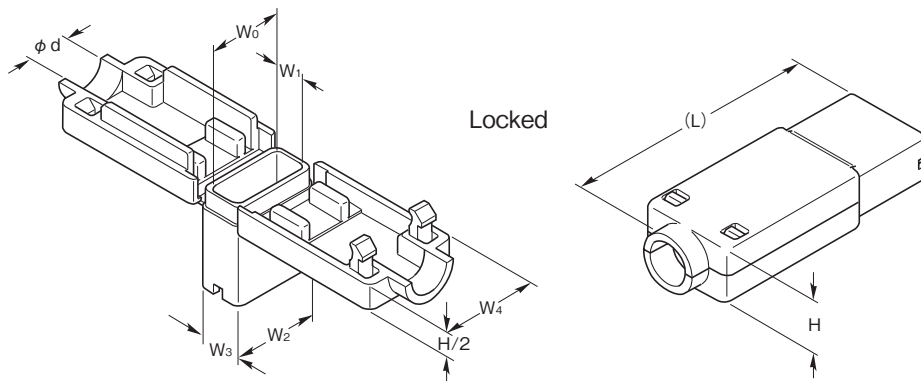
Cat. No. 50B, 51, 51A, 52, 52A, 60, 60A, 61, 61A, 62, 70 ..... Rating: 80°C, 600V  
50BU, 51U, 51AU, 52U, 52AU, 60U, 60AU, 61U, 61AU, 62U, 70U, 71U, 72U ..... Rating: 105°C, 600V



**CSA recognized product LR83372**

Cat. No. 50B, 51, 51A, 52, 52A, 60, 60A, 61, 61A, 70 ..... Rating: 90°C, 300V

**For straight terminal (OS series)**



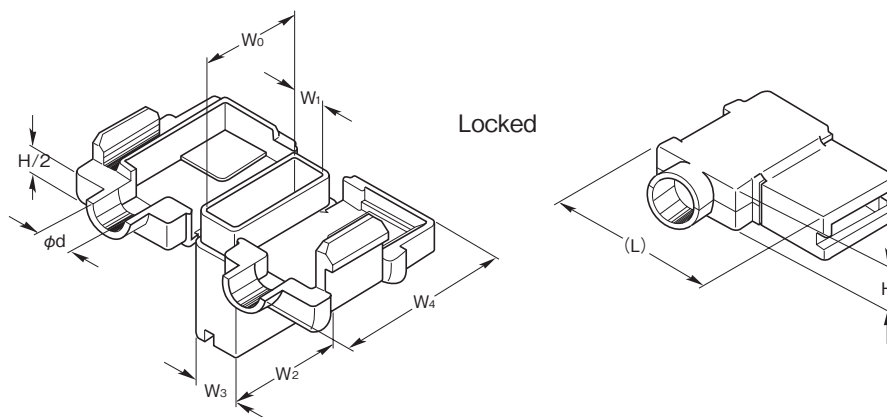
● Close the end of the sleeve as shown in the photos.



Part No.		Applicable terminal	Dimensions (mm)										Cat.No.	
UL94V-2	UL94V-0		Applicable wire	Nipping point	$\phi d$	$W_0$	$W_1$	$W_2$	$W_3$	$W_4$	H	(L)	94V-2	94V-0
OS-110	OS-110U	Straight 110 series	$\phi$ 3.0 or less	3.0 or less	3.0	4.1	2.3	6.0	3.9	8.0	4.6	22.3	52A	52AU
OS-187	OS-187U	Straight 187 series	$\phi$ 3.6 or less	3.6 or less	3.6	6.1	2.6	7.5	3.9	8.8	5.2	21.9	51A	51AU
OS-205	OS-205U	Straight 205 series	$\phi$ 3.6 or less	3.6 or less	3.6	6.8	2.9	8.5	4.4	8.8	5.2	24.6	51A	51AU
OS-250	OS-250U	Straight 250 series	$\phi$ 4.1 or less	4.1 or less	4.1	8.0	3.4	9.3	4.7	9.8	5.6	26.0	50B	50BU

Packing unit : 500 pieces

**For flag-type terminal (OF series)**



● Close the end of the sleeve as shown in the photos.



Part No.		Applicable terminal	Dimensions (mm)										Cat.No.	
UL94V-2	UL94V-0		Applicable wire	Nipping point	$\phi d$	$W_0$	$W_1$	$W_2$	$W_3$	$W_4$	H	(L)	94V-2	94V-0
OF-187	OF-187U	Flag-type 187 series	$\phi$ 3.6 or less	3.6 or less	3.6	6.4	3.0	7.9	4.5	13.5	5.4	15.5	61A	61AU
OF-187N	OF-187NU	Flag-type 187 series	$\phi$ 3.4 or less	3.4 or less	3.4	6.4	3.0	7.9	4.5	13.5	5.4	14.6	61A	61AU
OF-205	OF-205U	Flag-type 205 series	$\phi$ 4.0 or less	4.0 or less	4.0	7.0	3.2	8.7	4.7	15.0	5.8	15.5	60A	60AU
OF-250	OF-250U	Flag-type 250 series	$\phi$ 3.9 or less	4.6 or less	3.9	8.8	3.9	10.3	5.1	16.0	6.0	18.0	60A	60AU
※ OF-250S	OF-250SU	Flag-type 250 series	$\phi$ 5.0 or less	6.6 or less	5.0	8.8	5.0	10.2	6.4	16.9	7.2	17.8	62	62U

※

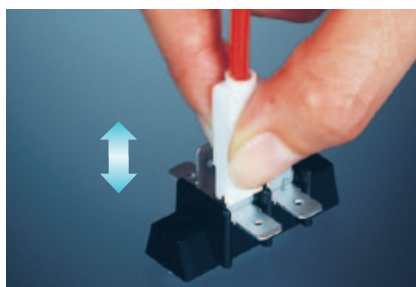
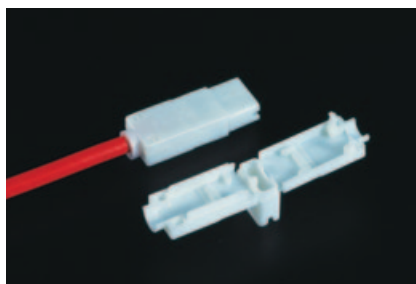
※ For refrigerator, air-compressor of air-conditioner etc, and sealed terminal.

Packing unit : 500 pieces

INSULATION SLEEVE FOR TERMINAL  
CIRCUIT BOARD ACCESSORY  
WIRING CLAMP  
WIRING PROTECTOR  
FASTENER  
DIP-MOLDED PRODUCT

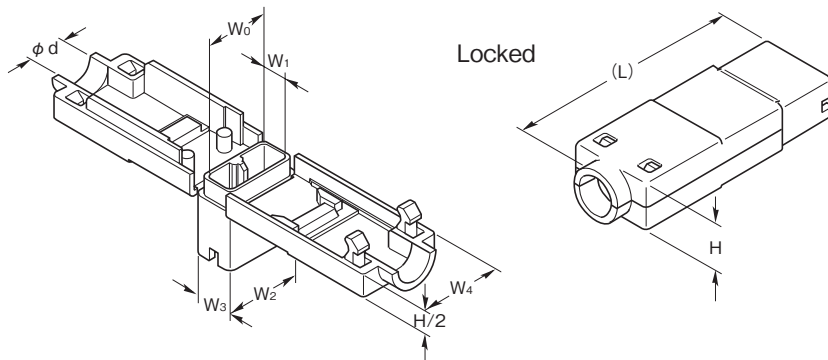
# One touch sleeve

## PS series



### Feature

- One touch sleeve which can be used for the terminal as below.
  - Positive-lock EX terminal Straight Type (Tyco Electronics "AMP")
  - PS connector-contact Straight Type (J.S.T.)
- Easily removable from the tab by holding the sleeve body, which unlocks the locking system.
- Prevent terminal from the foreign object coming through the cable entry.



**Material** Nylon 66 **Standard color** UL94V-0 White

**UL recognized product** **E55167**

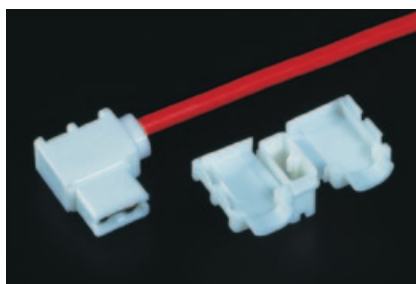
Cat. No. 71U, 72U ..... Rating: 105°C, 600V

Part No.	Applicable terminal	Dimensions (mm)										Cat.No.
		Applicable wire	Nipping point	$\phi d$	$W_0$	$W_1$	$W_2$	$W_3$	$W_4$	H	(L)	
PS-187U	Straight 187	$\phi$ 4.0 or less	4.0 or less	4.0	5.8	2.7	7.2	4.0	9.4	5.6	24.8	71U
PS-250U	Straight 250	$\phi$ 4.4 or less	4.4 or less	4.4	8.1	3.4	9.5	4.8	10.0	6.0	28.0	72U

Packing unit : 500 pieces

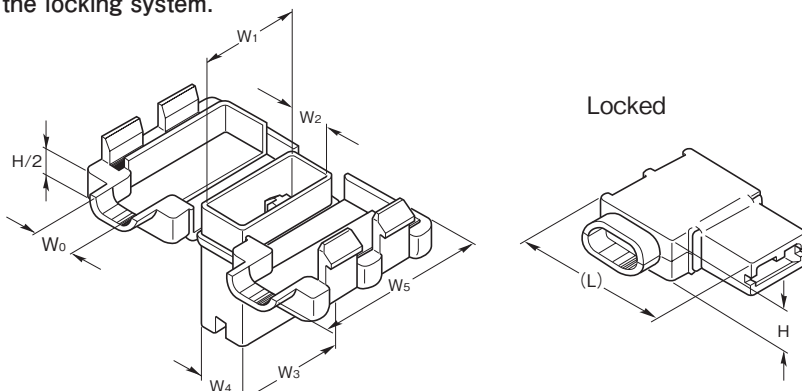
# One touch sleeve

## PF series



### Feature

- One touch sleeve which can be used for the terminal as below.
  - Positive-lock EX terminal Flag Type (Tyco Electronics "AMP")
- Easily removable from the tab by holding the sleeve body, which unlocks the locking system.



**Material** Nylon 66 **Standard color** UL94V-2: Natural  
UL94V-0: White

**UL recognized product** **E55167**

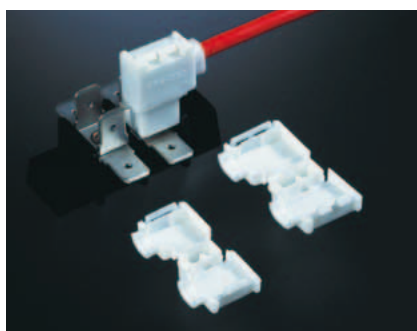
Cat. No. 70 ..... Rating: 80°C, 600V  
70U ..... Rating: 105°C, 600V

Part No.		Applicable terminal	Dimensions (mm)										Cat.No.	
UL94V-2	UL94V-0		Applicable wire	Nipping point	$W_0$	$W_1$	$W_2$	$W_3$	$W_4$	$W_5$	H	(L)	94V-2	94V-0
PF-187	PF-187U	Flag-type EX 187	$\phi$ 4.0 or less	4.4 or less	5.0	6.0	2.8	8.0	4.7	14.5	6.4	17.2	70	70U
PF-250	PF-250U	Flag-type EX 250		4.8 or less	6.0	8.0	3.4	10.0	5.4	17.0	7.0	19.6		

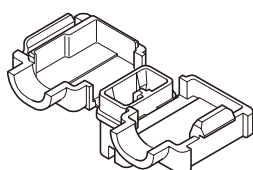
Packing unit : 500 pieces

# One touch sleeve

## FPS series



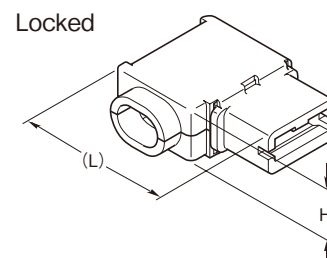
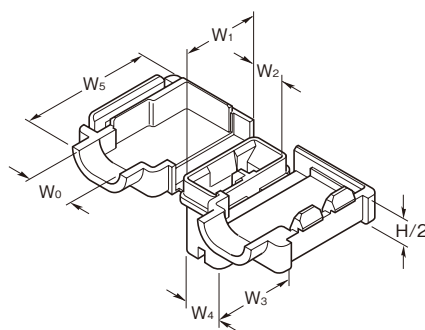
FPS-187U



### Feature

- One touch sleeve which can be used for the terminal as below.
  - PS connector-contact Flag Type (J.S.T.)
- Easily removable from the tab by holding the sleeve body, which unlocks the locking system.

### FPS-250U



UL recognized product E55167

Cat. No. 70U ..... Rating: 105°C, 600V

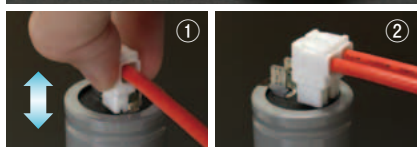
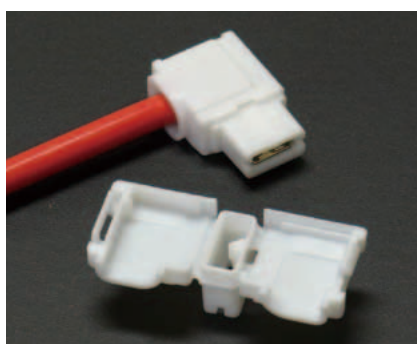
**Material** Nylon 66 UL94V-0 **Standard color** White

Part No.	Applicable terminal	Dimensions (mm)										Cat.No.
		Applicable wire	Nipping point	W <sub>0</sub>	W <sub>1</sub>	W <sub>2</sub>	W <sub>3</sub>	W <sub>4</sub>	W <sub>5</sub>	H	(L)	
FPS-187U	Flag-type 187	φ 4.0 or less	4.4 or less	5.0	5.8	2.8	8.0	4.7	14.5	6.4	17.5	70U
FPS-250U	Flag-type 250		4.8 or less	6.0	8.0	3.4	10.0	5.4	17.0	7.0	19.8	

Packing unit : 500 pieces

# One touch sleeve

## FW series

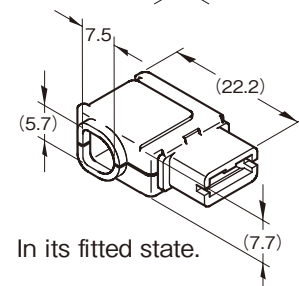
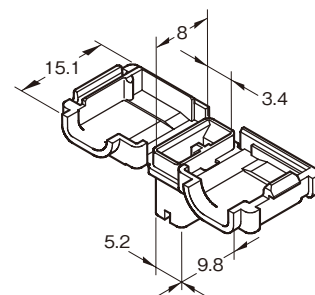


- ① Easy to attach and remove.
- ② Sleeves can be lined up and connected.

### Feature

- Flag-shaped 250 nylon sleeves for Positive Lock EX Terminals for Thick Wires and PS Connectors/Contacts.
- Prevents incorrect insertion into tab terminals and allows easy separation from tab terminals because removing the sleeve itself causes the terminal lock to open. (See Picture ①)
- An 8-mm terminal block between tab terminals allows sleeves to be lined up and connected for electrolytic capacitors, etc. (See Picture ②)

### FW-250U



In its fitted state.



UL recognized product E55167

Cat. FW-250U## ..... Rating: 105°C, 600V

**Material** Nylon 66 (UL94V-0) **Standard color** White

Manufacturer	TYCO Electronics Japan, Ltd.	JST Mfg. Co., Ltd.
Number	175178-1	SFPS-91T-250
Model	Positive Lock EX 250 Flag-Shaped	PS Connector/Contact #250 Flag-Shaped
Applicable Electrical Wires	AWG #12-10 (diameter 5.2 mm or less, crimp height of cover 5.7 mm or shorter)	

Packing unit : 500 pieces

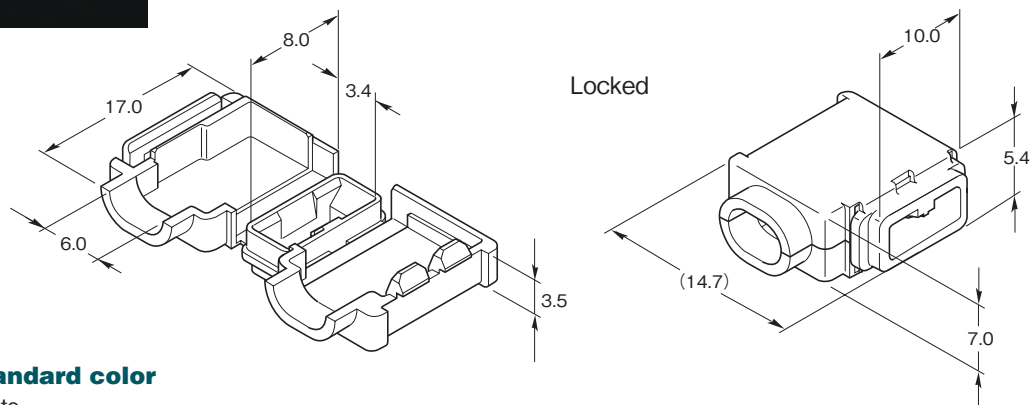
# One touch sleeve

## HF-250U



### Feature

- Protection cover having the direct view of locking point, and a good heat radiation.
- Can be used for the terminal as below.
  - Positive-lock EX terminal Flag Type 250 (Tyco Electronics "AMP")
  - PS connector-contact Flag Type 250 (J.S.T.)
- Easily removable from the tab by holding the sleeve body, which unlocks the locking system.



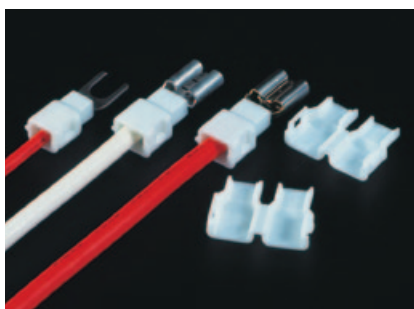
### Material Standard color

Nylon 66 UL94V-0 White

Part No.	Applicable terminal	Dimensions (mm)		Packing unit (pieces)
		Applicable wire	Nipping point	
HF-250U	Flag-type 250	φ 4.0 or less	4.8 or less	500

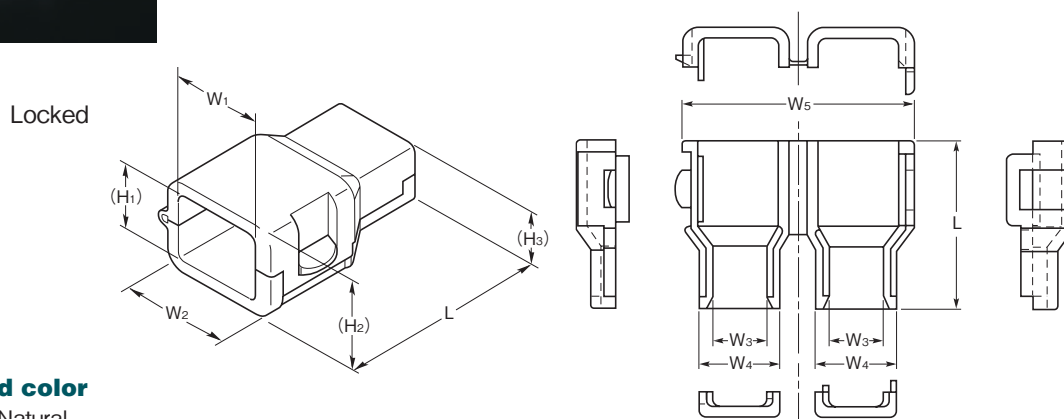
# Crimp cover<sup>®</sup>

## CPS series



### Feature

- Protection and insulation cover for the nipping point of wire and terminal.
- Easily snapped-on after the terminal slotted onto the tab.
- By covering only nipping point, these will not block the heat radiation.
- Can be used for tubular-shaped terminal besides standard straight, positive-lock EX terminal straight-shaped.



### Material Standard color

Nylon 66  
 UL94V-2: Natural  
 UL94V-0: White

Part No.	Applicable wire	Nipping point	Dimensions (mm)							Packing unit (pieces)			
			W <sub>1</sub>	W <sub>2</sub>	W <sub>3</sub>	W <sub>4</sub>	W <sub>5</sub>	H <sub>1</sub>	H <sub>2</sub>		H <sub>3</sub>	L	
UL94V-2 CPS-30	UL94V-0 CPS-30U	φ 2.0 ~ φ 3.0	3.6×4.7 or less	4.7	7.1	3.0	5.6	15.6	3.6	5.2	3.6	11.7	500
CPS-38	CPS-38U	φ 3.3 ~ φ 3.8	4.4×5.7 or less	5.7	8.1	4.1	6.1	17.6	4.4	6.0	3.8	12.7	

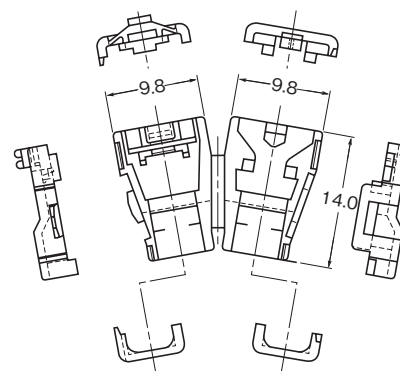
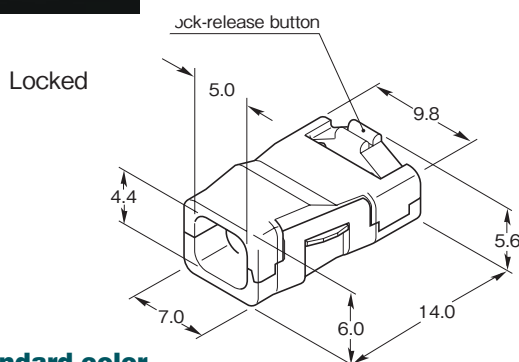
# Crimp cover®

## CPS-250U



### Feature

- Crimp cover which can be used for the terminal as below.
  - Positive-lock EX terminal Straight Type 250 (Tyco Electronics "AMP")
  - PS connector-contact Straight Type 250 (J.S.T.)
- Easily removable from the tab by pulling while the lock-release button is pressed.



### Material

Nylon 66 UL94V-0

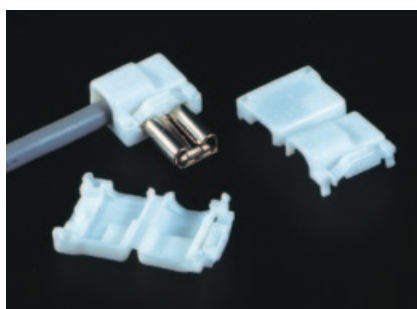
### Standard color

White

Part No.	Applicable terminal	Dimensions (mm)		Packing unit (pieces)
		Applicable wire	Nipping point	
CPS-250U	Straight 250	φ 3.9 or less	4.4×5.0 or less	500

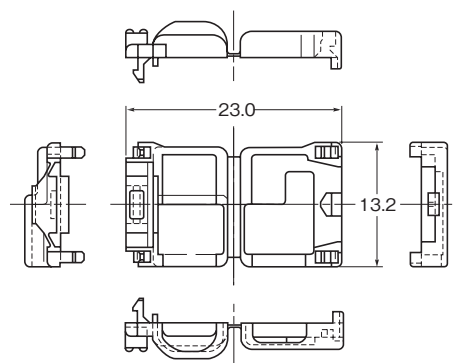
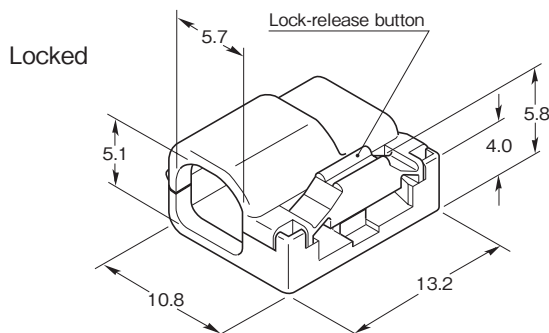
# Crimp cover®

## CPF-250U



### Feature

- Crimp cover which can be used for the terminal as below.
  - Positive-lock EX terminal Flag Type 250 (Tyco Electronics "AMP")
  - PS connector-contact Flag Type 250 (J.S.T.)
- Easily removable from the tab by pulling while the lock-release button is pressed.



### Material

Nylon 66 UL94V-0

### Standard color

White

Part No.	Applicable terminal	Dimensions (mm)		Packing unit (pieces)
		Applicable wire	Nipping point	
CPF-250U	Flag-type 250	φ 5.0 or less	5.2×6.8 or less	500



# Connector Sleeve

## DS/DS-P/DF series



### Feature

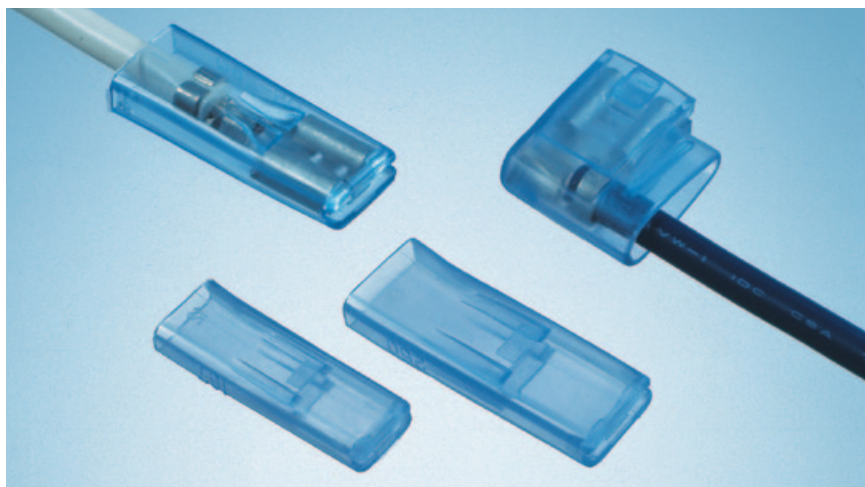
- Insulation sleeve, which can be slotted after the wire connected to the terminal, made of soft PVC through the injection production.
- Easy to handle, can be used for double nipping.

### Material

Soft PVC  
UL recognized material (E58538):  
SS107UFTT

### Standard color

Blue transparent (23)



Cat. No. 30, 31 Flammable Rating VW-1..... Rating: 105°C, 600V



Cat. No. 30, 31..... Rating: 105°C, 600V

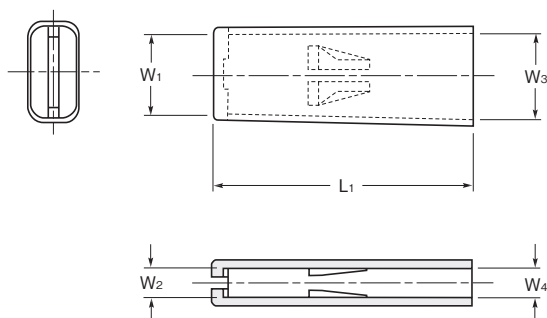
## DS/DS-P series



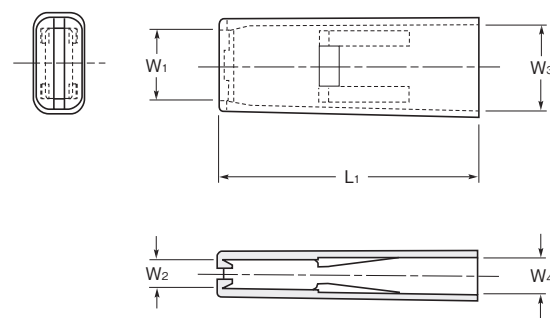
### Feature

- DS/DS-P series can be installed regardless the front or back face.
- DS series can be used for the terminal as below.
  - Straight standard terminal
- DS-P series can be used for the terminal as below.
  - Positive-lock EX terminal Straight Type (Tyco Electronics "AMP")
  - PS connector-contact Straight Type (J.S.T.)

### DS series



### DS-P series



Note: The internal design of the DS-110U is different.

Part No.	Applicable wire	Dimensions (mm)					Cat. No.	Packing unit (pieces)
		W <sub>1</sub>	W <sub>2</sub>	W <sub>3</sub>	W <sub>4</sub>	L <sub>1</sub>		
DS-110U	Straight 110	2.9	1.4	4.4	3.0	22.0	31	1,000
DS-187U	Straight 187	5.7	2.5	6.3	3.0	22.5		
DS-250U	Straight 250	7.6	3.1	8.5	3.7	26.0		
DS-187PU	Straight 187	5.5	2.3	6.3	2.9	22.5		
DS-250PU	Straight 250	7.0	2.7	8.5	3.6	26.0		

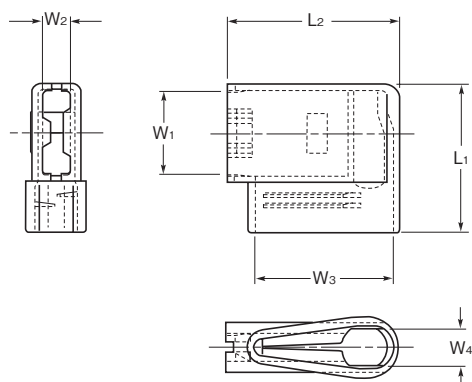


## DF series



### Feature

- DF series can be used for the terminal as below.
  - Flag type standard terminal
  - Positive-lock EX terminal Flag Type (Tyco Electronics "AMP")
  - PS connector-contact Flag Type (J.S.T.)
- Protect the foreign object coming into the sleeve.



Part No.	Applicable wire	Dimensions (mm)						Cat. No.	Packing unit (pieces)
		W <sub>1</sub>	W <sub>2</sub>	W <sub>3</sub>	W <sub>4</sub>	L <sub>1</sub>	L <sub>2</sub>		
DF-187U	Flag-type 187	5.7	2.3	11.0	3.0	12.5	14.5	30	1,000
DF-250U	Flag-type 250	8.3	2.8	13.8	3.7	14.8	17.2		