


## WELCOME TO THE PACIFIC TRANSFORMER CATALOG






Since 1981 Pacific Transformer Corporation has been leading manufacturer of magnetic devices. We are providing this catalog as an additional convenience for our customers. We will be adding products in the future, making the catalog an even more valuable resource.

And remember! Pacific Transformer is one of the largest makers of custom magnetics. If what you need is not here, call us immediately. We will design a part for your specific application and provide you with a quote within 24 hours.



Whether your product requires UL listing, or there's a chance you may seek UL listing in the future, consider Pacific Transformer now. Pacific Transformer manufactures its transformers using an Underwriters Laboratories Inc. recognized electrical insulation system. Buying transformers from an Underwriters Recognized  manufacturer provides you with three big advantages.

1. Time and expense are reduced during the UL listing procedure. The Pacific  Transformer does not have to be individually evaluated.
2. Because Pacific  Transformers are recognized under the Component Program of UL Inc., no special listing of your transformer will be required. This will relieve you of any follow-up costs ( site inspections ).
3. If your product is presently UL listed, you can substitute a Pacific  transformer with just minimal UL revaluation. You will not need a complete resubmittal.

Most importantly, these advantages can be obtained at no additional cost to you. With agency compliance becoming more important, it 's more important that you buy your transformers from a qualified and competent source. Pacific Transformer — your source.

# TABLE OF CONTENTS

- **2:1 INDUCTANCE SWING INDUCTORS**  
Semi-Encapsulated Power Inductors  
Power Inductors ( Economy Inductors )
- **LOW PROFILE POWER TRANSFORMER**  
PTT-01 SERIES
- **LOW PROFILE ENCAPSULATED POWER TRANSFORMER**  
PTT-02 SERIES
- **INTERNATIONAL POWER TRANSFORMER**  
PTT-03 Style A  
PTT-03 Style B
- **CLASS 2 POWER TRANSFORMER**  
PTT-04 SERIES
- **HIGH POWER ISOLATION TRANSFORMER**  
PTT-05 SERIES  
PTT-06 SERIES
- **SPLIT BOBBIN WITH HIGH ISOLATION**  
PTT-08 SERIES  
PTT-09 SERIES
- **CONVENTIONAL RECTIFIER POWER TRANSFORMER**  
PTT-10 SERIES  
PTT-11 SERIES
- **INTERNATIONAL STANDARD AT LOWER COST AND BETTER PERFORMANCE**  
PTT-12 SERIES
- **INTERNATIONAL STANDARD AT LOWER COST AND BETTER PERFORMANCE**  
PTT-13 SERIES
- **INHERENTLY OR NON-INHRENTLY LIMITED**  
PTT-14 SERIES
- **MINIATURE LOW POWER TRANSFORMER**  
PTT-15 SERIES  
PTT-16 SERIES
- **PRINTED CIRCUIT MOUNT-SPLIT BOBBIN WITH HIGH ISOLATION**  
PTT-17 SERIES  
PTT-18 SERIES
- **STEP DOWN AUTO TRANSFORMERS**  
PTT-19 SERIES
- **CURRENT SENSOR TRANSFORMER**  
PTC-01 SERIES  
PTC-02 SERIES

# POWER INDUCTORS

## PTL-01 SERIES



PACIFIC TRANSFORMER CORP., 5399 E. HUNTER AVE., ANAHEIM, CA. 92807  
(714) 779-0450 • (800) 325-0501 • FAX (714) 779-0718 • [www.pactran.com](http://www.pactran.com)

# 2:1 INDUCTANCE SWING

## Semi-Encapsulated Power Inductors Printed Circuit Mount

### PTL-01-100

### Size 100

Pacific P/N	Ind. @ 0 Amps DC $\mu\text{Hy} \pm 10\%$	Ind. @ Rated I $\mu\text{Hy, Typ.}$	Rated I DCA, Max.	Energy Rating $\mu\text{J}$	DC Res. mOhm Max.	Lead Size
PTL-01-105	8	4	18	648	2.2	0.081
PTL-01-110	12	6	16	768	2.7	0.081
PTL-01-115	16	8	13	676	3.2	0.081
PTL-01-120	21	10	12	720	3.6	0.081
PTL-01-125	26	13	10	650	6.4	0.064
PTL-01-130	32	16	9.0	648	7.1	0.064
PTL-01-135	39	19	8.0	608	7.8	0.064
PTL-01-140	47	23	7.5	647	8.6	0.064
PTL-01-145	55	27	7.0	662	15	0.051
PTL-01-150	64	32	6.5	676	16	0.051
PTL-01-155	73	36	6.0	648	17	0.051
PTL-01-160	83	41	5.5	620	18	0.051
PTL-01-165	94	47	5.0	588	19	0.051
PTL-01-170	105	52	4.5	527	21.0	0.051
PTL-01-175	117	58	4.0	464	34.0	0.040
PTL-01-180	130	65	3.5	398	36.0	0.040
PTL-01-185	143	71	3.0	320	38.0	0.040

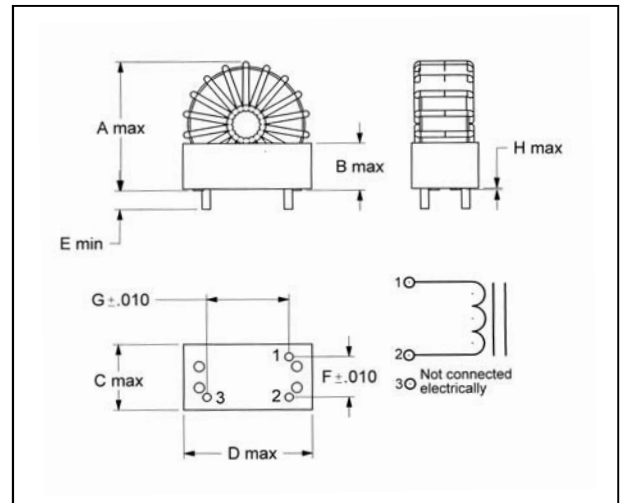
### FEATURES & CHARACTERISTICS

- Other inductance values and/or current ratings are available as options.
- **2:1 Inductance Swing:** The ratio of inductance with no current to the inductance with rated current is nominally 2:1.
- **Energy Rating:** Computed as  $LI^2/2$ .
- **Operating Temperature:**  $-55^\circ\text{C}$  to  $+130^\circ\text{C}$  (wire insulation, Class B).
- **Standard Inductance Tolerance:**  $\pm 10\%$ , tighter tolerance available.
- **Temperature Rise:**  $40^\circ\text{C}$ . Nominal.

### PTL-01-200

### Size 200

Pacific P/N	Ind. @ 0 Amps DC $\mu\text{Hy} \pm 10\%$	Ind. @ Rated I $\mu\text{Hy, Typ.}$	Rated I DCA, Max.	Energy Rating $\mu\text{J}$	DC Res. mOhm Max.	Lead Size
PTL-01-205	15	7	17	1011	3.2	0.081
PTL-01-210	21	10	14	980	4.1	0.081
PTL-01-215	27	13	12	936	4.5	0.081
PTL-01-220	34	17	11	1028	5.1	0.081
PTL-01-225	42	21	10	1050	5.7	0.081
PTL-01-230	47	23	9.5	1038	8.7	0.064
PTL-01-235	56	28	9.0	1134	9.5	0.064
PTL-01-240	66	33	8.5	1192	11	0.064
PTL-01-245	77	38	8.0	1216	12	0.064
PTL-01-250	83	41	7.5	1153	12	0.064
PTL-01-255	96	48	7.0	1176	13	0.064
PTL-01-260	108	54	6.5	1141	21.0	0.051
PTL-01-265	122	62	6.0	1116	22.0	0.051
PTL-01-270	137	68	5.5	1028	24.0	0.051
PTL-01-275	153	76	5.0	950	25.0	0.051



### PTL-01-300

### Size 300

Pacific P/N	Ind. @ 0 Amps DC $\mu\text{Hy} \pm 10\%$	Ind. @ Rated I $\mu\text{Hy, Typ.}$	Rated I DCA, Max.	Energy Rating $\mu\text{J}$	DC Res. mOhm Max.	Lead Size
PTL-01-305	37	18	17	2601	7.4	0.081
PTL-01-310	45	22	16	2816	8.1	0.081
PTL-01-315	54	27	15	3037	8.7	0.081
PTL-01-320	62	31	14	3038	9.2	0.081
PTL-01-325	72	36	13	3042	9.8	0.081
PTL-01-330	84	42	12	3024	11	0.081
PTL-01-335	95	47	11	2843	18	0.064
PTL-01-340	108	54	10.5	2976	19	0.064
PTL-01-345	120	60	10	3000	21.0	0.064
PTL-01-350	134	67	9.5	3023	22.0	0.064
PTL-01-355	148	74	9.0	2997	23.0	0.064
PTL-01-360	164	82	8.5	2962	24.0	0.064
PTL-01-365	180	90	8.0	2880	25.0	0.064
PTL-01-370	196	98	7.5	2756	26.0	0.064
PTL-01-375	214	107	7.0	2621	28.0	0.064
PTL-01-380	232	116	6.5	2450	29.0	0.064
PTL-01-385	250	125	6.0	2250	30.0	0.064

PART SIZE	A	B	C	D	E	F	G	H
100	1.10	0.43	0.55	1.15	0.20	0.40	0.80	0.015
200	1.20	0.40	0.71	1.15	0.20	0.50	0.70	0.030
300	1.70	0.60	0.80	1.45	0.20	0.60	0.90	0.030

## 2:1 INDUCTANCE SWING

### Semi-Encapsulated Power Inductors Printed Circuit Mount

#### PTL-01-400

#### Size 400

Pacific P/N	Ind. @ 0 Amps DC $\mu\text{Hy} \pm 10\%$	Ind. @ Rated I $\mu\text{Hy, Typ.}$	Rated I DCA, Max.	Energy Rating $\mu\text{J}$	DC Res. mOhm Max.	Lead Size
PTL-01-405	55	22	20.0	4400	7.5	0.081
PTL-01-410	66	33	17	4768	8.3	0.081
PTL-01-415	80	40	15	4500	9.0	0.081
PTL-01-420	93	46	14	4508	9.8	0.081
PTL-01-425	108	54	13	4563	11	0.081
PTL-01-430	124	62	12	4464	12	0.081
PTL-01-435	141	70	11.5	4628	19	0.081
PTL-01-440	159	79	11	4779	20.2	0.064
PTL-01-445	178	89	10.5	4906	22.0	0.064
PTL-01-450	200	100	10	5000	22.5	0.064
PTL-01-455	220	110	9.5	4963	24.0	0.064
PTL-01-460	240	120	9.0	4860	25.0	0.064
PTL-01-465	267	133	8.5	4804	26.0	0.064
PTL-01-470	292	146	8.0	4672	28.0	0.064
PTL-01-475	318	158	7.5	4443	29.0	0.064
PTL-01-480	345	172	7.0	4214	30.0	0.064
PTL-01-485	373	186	6.5	3929	31.0	0.064
PTL-01-490	402	201	6.0	3618	32.0	0.064

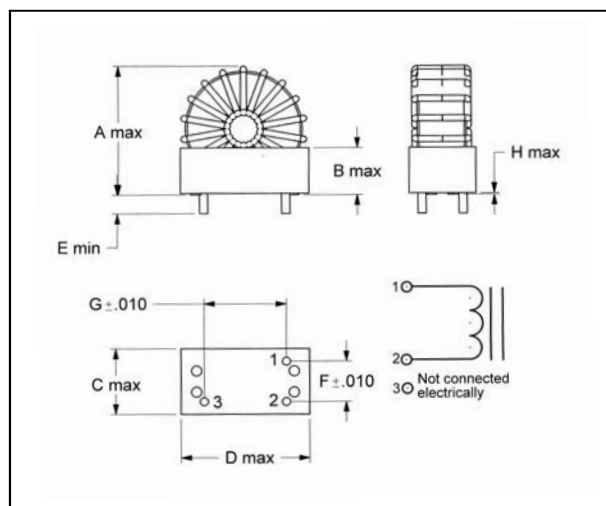
#### FEATURES & CHARACTERISTICS

- Other inductance values and/or current ratings are available as options.
- **2:1 Inductance Swing:** The ratio of inductance with no current to the inductance with rated current is nominally 2:1.
- **Energy Rating:** Computed as  $LI^2/2$ .
- **Operating Temperature:**  $-55^\circ\text{C}$  to  $+130^\circ\text{C}$  (wire insulation, Class B).
- **Standard Inductance Tolerance:**  $\pm 10\%$ . tighter tolerance available.
- **Temperature Rise:**  $40^\circ\text{C}$ . Nominal.

#### PTL-01-500

#### Size 500

Pacific P/N	Ind. @ 0 Amps DC $\mu\text{Hy} \pm 10\%$	Ind. @ Rated I $\mu\text{Hy, Typ.}$	Rated I DCA, Max.	Energy Rating $\mu\text{J}$	DC Res. mOhm Max.	Lead Size
PTL-01-503	64	32	20.0	6400	8.1	0.081
PTL-01-506	79	39	18	6318	9.2	0.081
PTL-01-509	96	48	16	6144	11	0.081
PTL-01-512	114	57	15	6412	12	0.081
PTL-01-515	134	67	14	6566	13	0.081
PTL-01-518	155	77	13	6506	14	0.081
PTL-01-521	178	89	12	6408	15	0.081
PTL-01-524	202	101	11.5	6678	17	0.081
PTL-01-527	228	114	11	6897	18	0.081
PTL-01-530	256	128	10	6400	19	0.081
PTL-01-533	286	143	9.5	6452	20.0	0.081
PTL-01-536	317	158	9.0	6399	21.0	0.081
PTL-01-539	349	174	8.5	6285	22.0	0.081
PTL-01-542	383	192	8.0	6144	23.0	0.081
PTL-01-545	418	209	7.5	5878	25.0	0.081
PTL-01-548	456	228	7.0	5586	26.0	0.081
PTL-01-551	495	247	6.5	5217	36.0	0.064
PTL-01-554	535	267	6.3	5214	37.0	0.064
PTL-01-557	577	288	6.0	5184	38.0	0.064
PTL-01-560	621	310	5.8	5124	40.0	0.064
PTL-01-563	666	333	5.5	5036	41.0	0.064
PTL-01-566	713	356	5.3	4906	42.0	0.064
PTL-01-569	761	380	5.0	4750	43.0	0.064
PTL-01-572	811	405	4.8	4568	44.0	0.064
PTL-01-575	863	431	4.5	4363	45.0	0.064
PTL-01-578	915	457	4.3	4127	46.0	0.064
PTL-01-581	970	485	4.0	3880	48.0	0.064
PTL-01-584	1000	500	3.8	3515	49.0	0.064



PART SIZE	A	B	C	D	E	F	G	H
400	1.75	0.75	0.91	1.95	0.20	0.70	1.20	0.03
500	2.00	0.75	0.91	1.95	0.20	0.70	1.20	0.03

# POWER INDUCTORS

## PTL-02 SERIES



# 2:1 INDUCTANCE SWING

## Power Inductors Printed Circuit Mount

### PTL-02-100

### Size 100

Pacific P/N	Ind. @ 0 Amps DC $\mu\text{H} \pm 10\%$	Full DC Current AMP	Ind. @ 33% DCA $\mu\text{H}$	Ind. @ 50% DCA $\mu\text{H}$	Ind. @ 100% DCA $\mu\text{H}$	DC Res. mOhm Max.
PTL-02-105	0.5	35	0.4	0.37	0.3	0.7
PTL-02-110	0.9	30	0.7	6.50	0.5	1.0
PTL-02-115	2.5	25	2.0	1.80	1.2	1.5
PTL-02-120	5.0	20	4.0	3.50	2.5	2.5
PTL-02-125	6.0	15	5.0	4.50	3.0	3.0
PTL-02-130	11.0	10	9.5	8.50	6.0	6.0
PTL-02-135	19.0	8	17.0	15.00	11.0	12.0
PTL-02-140	37.0	5	34.0	30.00	23.0	29.0
PTL-02-145	80.0	3	74.0	67.00	52.0	62.0
PTL-02-150	193.0	2	177.0	161.00	123.0	190.0

### PTL-02 SERIES

#### FEATURES & CHARACTERISTICS

- Other inductance values and/or current ratings are available as options.
- **Energy Rating:** Computed as  $LI^2/2$ .
- **Operating Temperature:**  $-55^\circ\text{C}$  to  $+130^\circ\text{C}$  (wire insulation, Class B).
- **Standard Inductance Tolerance:**  $\pm 10\%$ , tighter tolerance available.
- **Temperature Rise:**  $40^\circ\text{C}$ . Nominal

### PTL-02-200

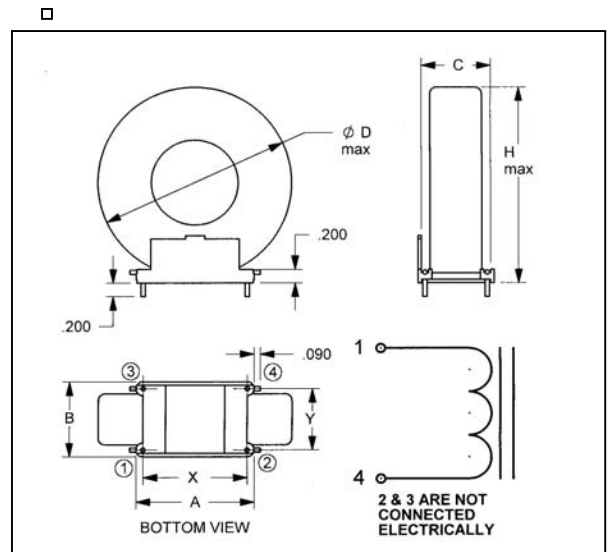
### Size 200

Pacific P/N	Ind. @ 0 Amps DC $\mu\text{H} \pm 10\%$	Full DC Current AMP	Ind. @ 33% DCA $\mu\text{H}$	Ind. @ 50% DCA $\mu\text{H}$	Ind. @ 100% DCA $\mu\text{H}$	DC Res. mOhm Max.
PTL-02-205	3.0	40	2.5	2.0	1.0	1.0
PTL-02-210	5.5	30	4.0	3.5	2.0	2.0
PTL-02-215	10.0	20	8.0	7.0	4.0	4.0
PTL-02-220	21.0	15	16.0	14.0	8.0	7.0
PTL-02-225	39.0	10	31.0	27.0	17.0	10.0
PTL-02-230	58.0	8	47.0	40.0	26.0	19.0
PTL-02-235	133.0	5	111.0	95.0	62.0	41.0
PTL-02-240	214.0	3	188.0	169.0	130.0	75.0
PTL-02-245	560.0	2	484.0	449.0	301.0	210.0
PTL-02-250	1710.0	1	1529.0	1374.0	1000.0	445.0

### PTL-02-300

### Size 300

Pacific P/N	Ind. @ 0 Amps DC $\mu\text{H} \pm 10\%$	Full DC Current AMP	Ind. @ 33% DCA $\mu\text{H}$	Ind. @ 50% DCA $\mu\text{H}$	Ind. @ 100% DCA $\mu\text{H}$	DC Res. mOhm Max.
PTL-02-305	3	40	2	1.8	1.3	1
PTL-02-310	11	30	8	6.0	4.0	3
PTL-02-315	19	20	14	12.0	8.0	5
PTL-02-320	32	15	24	21.0	13.0	8
PTL-02-325	47	10	41	36.0	25.0	14
PTL-02-330	79	8	67	59.0	41.0	22
PTL-02-335	125	5	112	101.0	75.0	39
PTL-02-340	392	3	347	311.0	225.0	103
PTL-02-345	631	2	578	527.0	401.0	172
PTL-02-350	1905	1	1786	1650.0	1300.0	550



SIZE	A	B	C	D	X	Y	H	TERMINALS
100	1.00	0.60	0.55	0.80	0.80	0.40	0.90	0.05
200	1.00	0.60	0.55	1.00	0.80	0.40	1.10	0.05
300	1.10	0.80	0.70	1.15	0.90	0.60	1.20	0.05



# 2:1 INDUCTANCE SWING

## Power Inductors Printed Circuit Mount

### PTL-02-400

### Size 400

Pacific P/N	Ind. @ 0 Amps DC $\mu\text{Hy} \pm 10\%$	Full DC Current AMP	Ind. @ 33% DCA $\mu\text{Hy}$	Ind. @ 50% DCA $\mu\text{Hy}$	Ind. @ 100% DCA $\mu\text{Hy}$	DC Res. mOhm Max.
PTL-02-405	17.9	40	13.4	11	6.2	2.5
PTL-02-410	26.0	30	20.0	17	10.0	3.0
PTL-02-415	50.0	20	40.0	34	21.0	7.0
PTL-02-420	62.0	15	52.0	46	31.0	9.0
PTL-02-425	147.0	10	122.0	107	71.0	16.0
PTL-02-430	268.0	8	218.0	188	120.0	27.0
PTL-02-435	484.0	5	418.0	364	250.0	60.0
PTL-02-440	1364.0	3	1164.0	1024	702.0	148.0
PTL-02-445	2296.0	2	2026.0	1816	1300.0	284.0
PTL-02-450	4313.0	1	4080.0	3784	3020.0	890.0

### PTL-02 SERIES

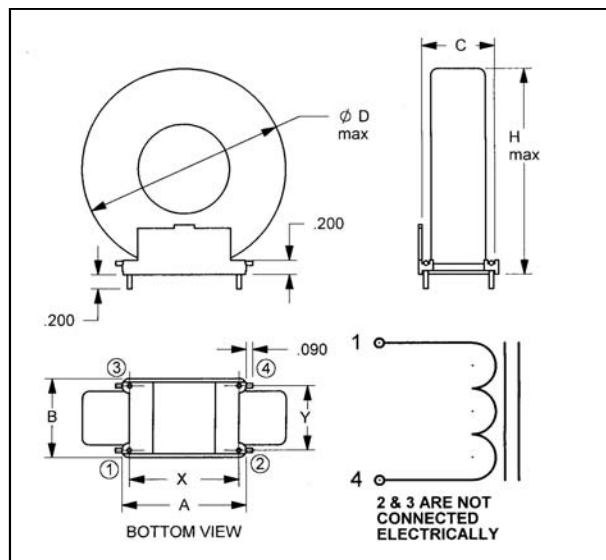
#### FEATURES & CHARACTERISTICS

- Other inductance values and/or current ratings are available as options.
- **Energy Rating:** Computed as  $LI^2/2$ .
- **Operating Temperature:**  $-55^\circ\text{C}$  to  $+130^\circ\text{C}$  (wire insulation, Class B).
- **Standard Inductance Tolerance:**  $\pm 10\%$ . tighter tolerance available.
- **Temperature Rise:**  $40^\circ\text{C}$ . Nominal

### PTL-02-500

### Size 500

Pacific P/N	Ind. @ 0 Amps DC $\mu\text{Hy} \pm 10\%$	Full DC Current AMP	Ind. @ 33% DCA $\mu\text{Hy}$	Ind. @ 50% DCA $\mu\text{Hy}$	Ind. @ 100% DCA $\mu\text{Hy}$	DC Res. mOhm Max.
PTL-02-505	36	40	25	20	10	5
PTL-02-510	43	30	33	27	16	6
PTL-02-515	75	20	60	50	31	11
PTL-02-520	116	15	94	80	51	13
PTL-02-525	290	10	230	196	121	30
PTL-02-530	571	8	436	363	212	64
PTL-02-535	874	5	725	630	414	82
PTL-02-540	1393	3	1236	1111	808	150
PTL-02-545	3637	2	3175	2830	2007	375
PTL-02-550	5615	1	5425	4980	4020	675



### PTL-02-600

### Size 600

Pacific P/N	Ind. @ 0 Amps DC $\mu\text{Hy} \pm 10\%$	Full DC Current AMP	Ind. @ 33% DCA $\mu\text{Hy}$	Ind. @ 50% DCA $\mu\text{Hy}$	Ind. @ 100% DCA $\mu\text{Hy}$	DC Res. mOhm Max.
PTL-02-605	64	40	48	40	23	6
PTL-02-610	92	30	72	60	36	7
PTL-02-615	162	20	132	113	72	16
PTL-02-620	350	15	275	231	141	36
PTL-02-625	628	10	511	440	282	44
PTL-02-630	1253	8	982	828	500	86
PTL-02-635	2842	5	2270	1933	1204	190
PTL-02-640	4845	3	4144	3658	2518	310
PTL-02-645	7730	2	6876	6188	4516	555
PTL-02-650	23820	1	21750	19830	15000	1610

SIZE	A	B	C	D	X	Y	H	TERMINALS
400	1.40	0.90	0.80	1.60	1.20	0.70	1.7	0.05
500	1.40	0.90	0.80	1.80	1.20	0.70	1.9	0.05
600	1.70	1.10	1.00	2.20	1.50	0.90	2.3	0.05

# LOW PROFILE TRANSFORMER

## PTT-01 SERIES



PACIFIC TRANSFORMER CORP., 5399 E. HUNTER AVE., ANAHEIM, CA. 92807  
(714) 779-0450 • (800) 325-0501 • FAX (714) 779-0718 • [www.pactran.com](http://www.pactran.com)

# LOW PROFILE TRANSFORMERS

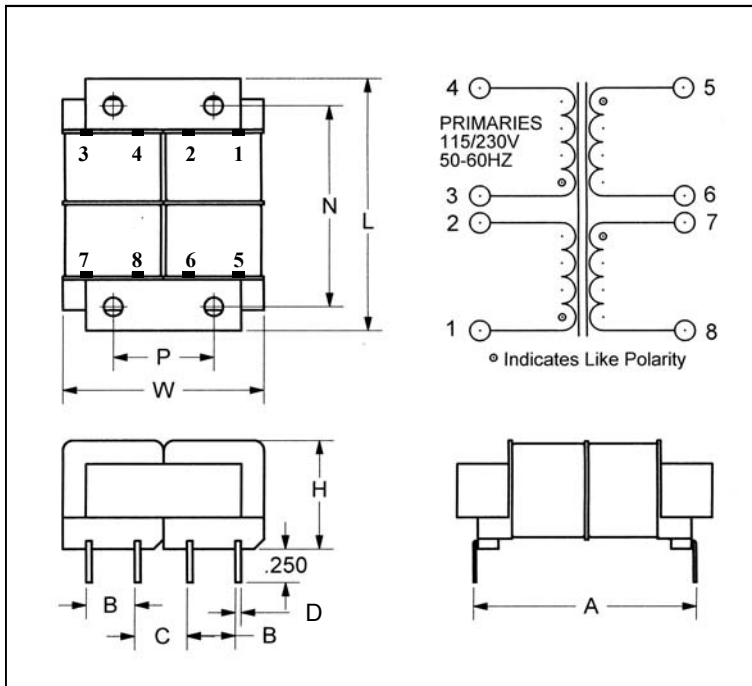
Our low profile transformers use hum-bucking (semi toroidal) construction that minimizes radiated magnetic fields. These transformers are ideal for critical low height pc board applications.

### General Specifications

- **Power**— 2VA to 48VA.
- **Dielectric Strength**— 3000VRMS Hipot.
- **Primaries**— Dual primaries (115/230V, 50-60 Hz).
- **Secondaries**— Series or parallel secondaries.
- **Electrostatic Shield**— Not necessary, split bobbin construction.
- **Magnetic Field**— Reduced magnetic radiation.
- **Height**— 0.65 to 1.40 inches high.
- **Insulation**— Class B insulation (130°C).

### ◆ Agency Standards

- UL , compliant to UL 506.
- CSA, compliant to CSA 22.2 #66.



## PTT-01 SERIES

Part No.	VA (Size)	Secondary RMS Rating	
		Series	Parallel
PTT-01-10-02	2	10VCT @ 250mA	5V @ 500mA
PTT-01-10-06	6	10VCT @ 600mA	5V @ 1.2A
PTT-01-10-12	12	10VTC @ 1.2A	5V @ 2.4A
PTT-01-10-24	24	10VCT @ 2.4A	5V @ 4.8A
PTT-01-10-48	48	10VCT @ 4.8A	5V @ 9.6A
PTT-01-12-02	2	12.6VCT @ 200mA	6.3V @ 400mA
PTT-01-12-06	6	12.6VCT @450mA	6.3V @ 900mA
PTT-01-12-12	12	12.6VCT @ 950mA	6.3V @ 1.9A
PTT-01-12-24	24	12.6VCT @ 1.9A	6.3V @ 3.8A
PTT-01-12-48	48	12.6VCT @ 3.8A	6.3V @ 7.6A
PTT-01-16-02	2	16VCT @ 150mA	8V @ 300mA
PTT-01-16-06	6	16VCT @ 350mA	8V @ 700mA
PTT-01-16-12	12	16VCT @ 750mA	8V @ 1.5A
PTT-01-16-24	24	16VCT @ 1.5A	8V @ 3.0A
PTT-01-16-48	48	16VCT @ 3.0A	8V @ 6.0A
PTT-01-20-02	2	20VCT @ 125mA	10V @ 250mA
PTT-01-20-06	6	20VCT @ 300mA	10V @ 600mA
PTT-01-20-12	12	20VCT @ 600mA	10V @ 1.2A
PTT-01-20-24	24	20VCT @ 1.2A	10V @ 2.4A
PTT-01-20-48	48	20VCT @ 2.4A	10V @ 4.8A
PTT-01-24-02	2	24VCT @ 100mA	12V @ 200mA
PTT-01-24-06	6	24VCT @ 250mA	12V @ 500mA
PTT-01-24-12	12	24VCT @ 500mA	12V @ 1.0A
PTT-01-24-24	24	24VCT @ 1.0A	12V @ 2.0A
PTT-01-24-48	48	24VCT @ 2.0A	12V @ 4.0A
PTT-01-30-02	2	30VCT @ 85mA	15V @ 170mA
PTT-01-30-06	6	30VCT @ 200mA	15V @ 400mA
PTT-01-30-12	12	30VCT @ 400mA	15V @ 800mA
PTT-01-30-24	24	30VCT @ 800mA	15V @ 1.6A
PTT-01-30-48	48	30VCT @ 1.6A	15V @ 3.2A
PTT-01-34-02	2	34VCT @ 75mA	17V @ 150mA
PTT-01-34-06	6	34VCT @ 170mA	17V @ 340mA
PTT-01-34-12	12	34VCT @ 350mA	17V @ 700mA
PTT-01-34-24	24	34VCT @ 700mA	17V @ 1.4A
PTT-01-34-48	48	34VCT @ 1.4A	17V @ 2.8A
PTT-01-40-02	2	40VCT @ 60mA	20V @ 120mA
PTT-01-40-06	6	40VCT @ 150mA	20V @ 300mA
PTT-01-40-12	12	40VCT @ 300mA	20V @ 600mA
PTT-01-40-24	24	40VCT @ 600mA	20V @ 1.2A
PTT-01-40-48	48	40VCT @ 1.2A	20V @ 2.4A
PTT-01-56-02	2	56VCT @ 45mA	28V @ 90mA
PTT-01-56-06	6	56VCT @ 100mA	28V @200mA
PTT-01-56-12	12	56VCT @ 210mA	28V @ 420mA
PTT-01-56-24	24	56VCT @ 425mA	28V @ 850mA
PTT-01-56-48	48	56VCT @ 850mA	28V @ 1.7A
PTT-01-88-02	2	88VCT @ 28mA	44V @ 56mA
PTT-01-88-06	6	88VCT @ 65mA	44V @ 130mA
PTT-01-88-12	12	88VCT @ 135mA	44V @ 270mA
PTT-01-120-02	2	120VCT @ 20mA	60V @ 40mA
PTT-01-120-06	6	120VCT @ 50mA	60V @ 100mA
PTT-01-120-12	12	120VCT @ 100mA	60V @ 200mA
PTT-01-230-02	2	230VCT @ 10mA	115 @ 20mA
PTT-01-230-06	6	230VCT @ 25mA	115 @ 50mA
PTT-01-230-12	12	230VCT @ 50mA	115 @ 100mA

VA Size	A	B	C	L	W	H	N	D	P	Wgt oz.
2	1.6	0.38	0.38	1.89	1.56	0.65	1.63	.041 x .020	0.88	5
6	1.6	0.38	0.38	1.89	1.56	0.85	1.63	.041 x .020	0.88	7
12	2	0.5	0.5	2.5	2	1.07	2	.041 x .020	1	11
24	1.9	0.6	0.53	2.87	2.25	1.25	2.44	.041 sq	1.44	15
48	2.18	0.6	0.66	3.12	2.5	1.38	2.62	.041 sq	1.38	21

# LOW PROFILE TRANSFORMER

## PTT-02 SERIES



# LOW PROFILE TRANSFORMERS

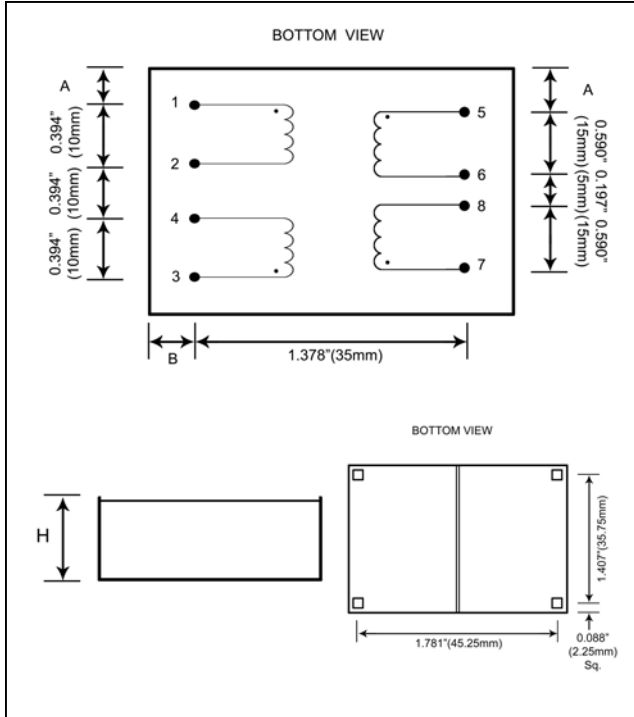
## Printed Circuit Board Mount

### PTT-02 SERIES

Our low profile transformers utilize unique insulating techniques, including full encapsulation to meet international safety requirements. These transformers are ideal for low power applications where minimum height is required.

#### General Specifications

- **Power**— 2VA to 6VA.
- **Dielectric Strength**— 4000VRMS Hipot.
- **Primaries**— Dual primaries (115/230V ± 15%, 50-60 Hz).
- **Secondaries**— Series or parallel secondaries.
- **Electrostatic Shield**— Not necessary, split bobbin construction.
- **Magnetic Field**— Reduced magnetic radiation.
- **Height**— 0.70 to 0.90 inches high.
- **Insulation**— Class B insulation (130°C).
- **Agency Standards**
  - UL, compliant to UL 506.
  - CSA, compliant to C22.2 #66.
  - VDE, compliant to VDE 0805.
  - VDE, compliant to IEC 950.



PART No.	VA Size	Secondary RMS Rating	
		Series	Parallel
PTT-02-2-10	2	10VCT @ 200mA	5V @ 400mA
PTT-02-2-12	2	12VCT @ 170mA	6V @ 340mA
PTT-02-2-16	2	16VCT @ 125mA	8V @ 250mA
PTT-02-2-20	2	20VCT @ 100mA	10V @ 200mA
PTT-02-2-24	2	24VCT @ 85mA	12V @ 170mA
PTT-02-2-30	2	30VCT @ 70mA	15V @ 140mA
PTT-02-2-34	2	34VCT @ 60mA	17V @ 120mA
PTT-02-2-40	2	40VCT @ 50mA	20V @ 100mA
PTT-02-2-56	2	56VCT @ 40mA	28V @ 80mA
PTT-02-2-230	2	230VCT @ 9mA	115V @ 18mA
PTT-02-4-10	4	10VCT @ 400mA	5V @ 800mA
PTT-02-4-12	4	12VCT @ 335mA	6V @ 670mA
PTT-02-4-16	4	16VCT @ 250mA	8V @ 500mA
PTT-02-4-20	4	20VCT @ 200mA	10V @ 400mA
PTT-02-4-24	4	24VCT @ 170mA	12V @ 340mA
PTT-02-4-30	4	30VCT @ 135mA	15V @ 270mA
PTT-02-4-34	4	34VCT @ 120mA	17V @ 240mA
PTT-02-4-40	4	40VCT @ 100mA	20V @ 200mA
PTT-02-4-56	4	56VCT @ 70mA	28V @ 140mA
PTT-02-4-230	4	230VCT @ 18mA	115V @ 36mA
PTT-02-6-10	6	10VCT @ 600mA	5V @ 1.20A
PTT-02-6-12	6	12VCT @ 500mA	6V @ 1.00A
PTT-02-6-16	6	16VCT @ 375mA	8V @ 750mA
PTT-02-6-20	6	20VCT @ 300mA	10V @ 600mA
PTT-02-6-24	6	24VCT @ 250mA	12V @ 500mA
PTT-02-6-30	6	30VCT @ 200mA	15V @ 400mA
PTT-02-6-34	6	34VCT @ 180mA	17V @ 360mA
PTT-02-6-40	6	40VCT @ 150mA	20V @ 300mA
PTT-02-6-56	6	56VCT @ 110mA	28V @ 220mA
PTT-02-6-230	6	230VCT @ 25mA	115V @ 50mA

VA (Size)	A (Ref.) ±.02	B (Ref.) ±.02	H
2	0.18	0.35	0.69
4	0.18	0.35	0.77
6	0.18	0.35	0.89

# LOW PROFILE TRANSFORMERS

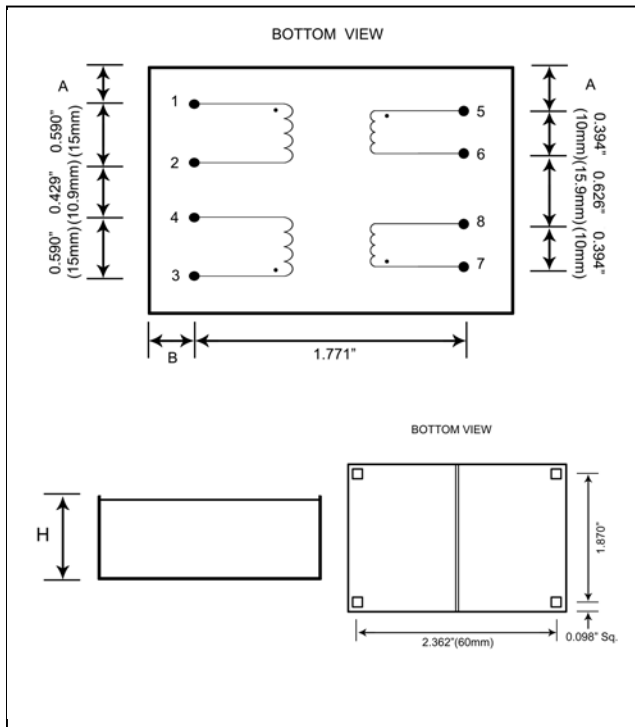
## Printed Circuit Board Mount

### PTT-02 SERIES

Our low profile transformers utilize unique insulating techniques, including full encapsulation to meet international safety requirements. These transformers are ideal for low power applications where minimum height is required.

#### General Specifications

- **Power**— 10VA to 30VA.
- **Dielectric Strength**— 4000VRMS Hipot.
- **Primaries**— Dual primaries (115/230V  $\pm$  15%, 50-60 Hz).
- **Secondaries**— Series or parallel secondaries.
- **Electrostatic Shield**— Not necessary, split bobbin construction.
- **Magnetic Field**— Reduced magnetic radiation.
- **Height**— 0.90 to 1.4 inches high.
- **Insulation**— Class B insulation (130°C).
- **Agency Standards**
  - UL, compliant to UL 506.
  - CSA, compliant to C22.2 #66.
  - VDE, compliant to VDE 0805.
  - VDE, compliant to IEC 950.



VA (Size)	A (Ref.) $\pm 0.02$	B (Ref.) $\pm 0.02$	H
10	0.42	0.45	0.89
14	0.42	0.45	0.96
18	0.42	0.45	1.09
24	0.43	0.46	1.23
30	0.43	0.46	1.39

PART No.	VA Size	Secondary RMS Rating	
		Series	Parallel
PTT-02-10-10	10	10VCT @ 1.00A	5V @ 2.00A
PTT-02-10-12	10	12VCT @ 835mA	6V @ 1.67A
PTT-02-10-16	10	16VCT @ 625mA	8V @ 1.25mA
PTT-02-10-20	10	20VCT @ 500mA	10V @ 1.00A
PTT-02-10-24	10	24VCT @ 420mA	12V @ 840mA
PTT-02-10-30	10	30VCT @ 335mA	15V @ 670mA
PTT-02-10-34	10	34VCT @ 300mA	17V @ 600mA
PTT-02-10-40	10	40VCT @ 250mA	20V @ 500mA
PTT-02-10-56	10	56VCT @ 180mA	28V @ 360mA
PTT-02-10-230	10	230VCT @ 45mA	115V @ 90mA
PTT-02-14-10	14	10VCT @ 1.40A	5V @ 2.80A
PTT-02-14-12	14	12VCT @ 1.20A	6V @ 2.40A
PTT-02-14-16	14	16VCT @ 875mA	8V @ 1.75A
PTT-02-14-20	14	20VCT @ 700mA	10V @ 1.40A
PTT-02-14-24	14	24VCT @ 600mA	12V @ 1.20A
PTT-02-14-30	14	30VCT @ 470mA	15V @ 940mA
PTT-02-14-34	14	34VCT @ 415mA	17V @ 830mA
PTT-02-14-40	14	40VCT @ 350mA	20V @ 700mA
PTT-02-14-56	14	56VCT @ 250mA	28V @ 500mA
PTT-02-14-230	14	230VCT @ 60mA	115V @ 120mA
PTT-02-18-10	18	10VCT @ 1.80A	5V @ 3.60A
PTT-02-18-12	18	12VCT @ 1.50A	6V @ 3.00A
PTT-02-18-16	18	16VCT @ 1.15A	8V @ 2.30A
PTT-02-18-20	18	20VCT @ 900mA	10V @ 1.80A
PTT-02-18-24	18	24VCT @ 750mA	12V @ 1.50A
PTT-02-18-30	18	30VCT @ 600mA	15V @ 1.20A
PTT-02-18-34	18	34VCT @ 530mA	17V @ 1.06A
PTT-02-18-40	18	40VCT @ 450mA	20V @ 900mA
PTT-02-18-56	18	56VCT @ 320mA	28V @ 640mA
PTT-02-18-230	18	230VCT @ 80mA	115V @ 160mA
PTT-02-24-10	24	10VCT @ 2.40A	5V @ 4.80A
PTT-02-24-12	24	12VCT @ 2.00A	6V @ 4.00A
PTT-02-24-16	24	16VCT @ 1.50A	8V @ 3.00A
PTT-02-24-20	24	20VCT @ 1.20A	10V @ 2.40A
PTT-02-24-24	24	24VCT @ 1.00A	12V @ 2.00A
PTT-02-24-30	24	30VCT @ 800mA	15V @ 1.60A
PTT-02-24-34	24	34VCT @ 700mA	17V @ 1.40A
PTT-02-24-40	24	40VCT @ 600mA	20V @ 1.20A
PTT-02-24-56	24	56VCT @ 430mA	28V @ 860mA
PTT-02-24-230	24	230VCT @ 105mA	115V @ 210mA
PTT-02-30-10	30	10VCT @ 3.00A	5V @ 6.00A
PTT-02-30-12	30	12VCT @ 2.50A	6V @ 5.00A
PTT-02-30-16	30	16VCT @ 1.90A	8V @ 3.80A
PTT-02-30-20	30	20VCT @ 1.50A	10V @ 3.00A
PTT-02-30-24	30	24VCT @ 1.25A	12V @ 2.50A
PTT-02-30-30	30	30VCT @ 1.00A	15V @ 2.00A
PTT-02-30-34	30	34VCT @ 900mA	17V @ 1.80A
PTT-02-30-40	30	40VCT @ 750mA	20V @ 1.50A
PTT-02-30-56	30	56VCT @ 550mA	28V @ 1.10A
PTT-02-30-230	30	230VCT @ 130mA	115V @ 260mA

# INTERNATIONAL POWER TRANSFORMER

## PTT-03 SERIES



PACIFIC TRANSFORMER CORP., 5399 E. HUNTER AVE., ANAHEIM, CA. 92807  
(714) 779-0450 • (800) 325-0501 • FAX (714) 779-0718 • [www.pactran.com](http://www.pactran.com)

# INTERNATIONAL POWER TRANSFORMERS

## Chassis Mount

## PTT-03 SERIES

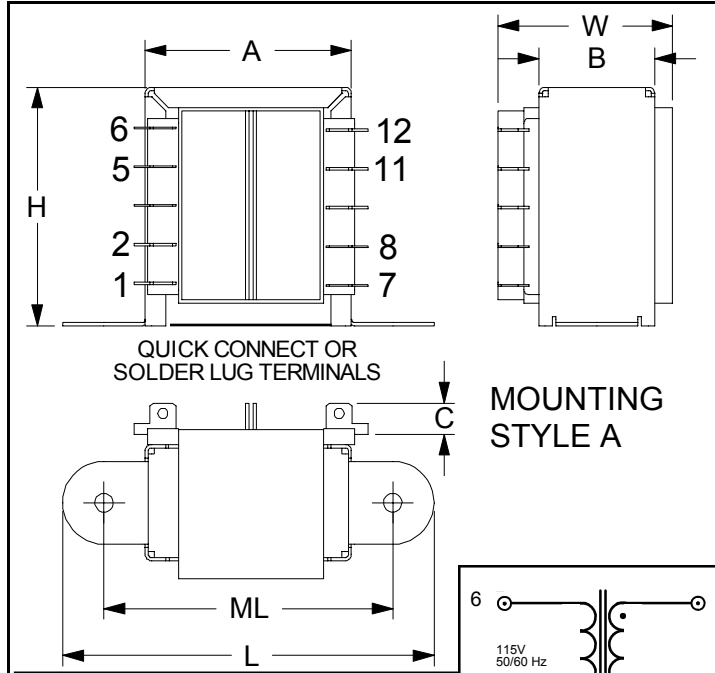
Our International transformers provide the high isolation, creepage and clearance necessary to comply with International safety standards.

### General Specifications

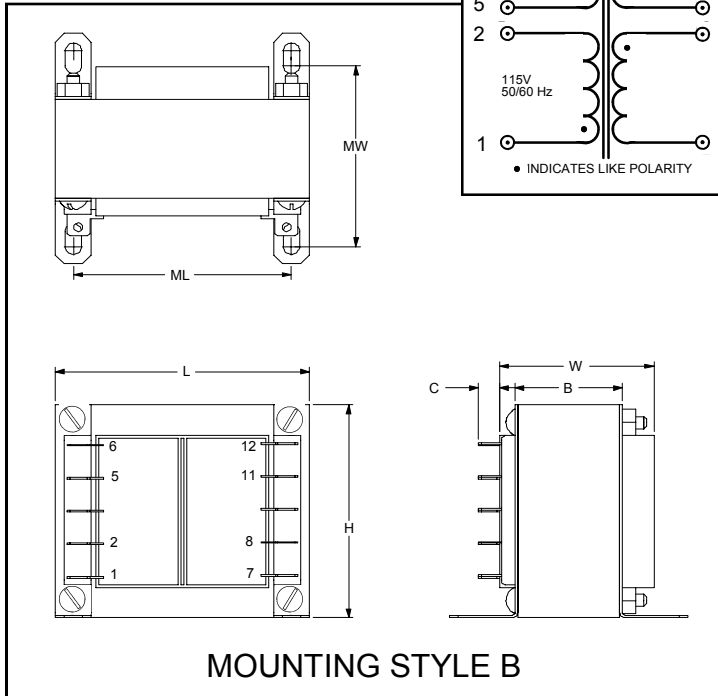
- ◆ **Power**— 25VA to 175VA
- ◆ **Dielectric Strength**— 4000VRMS Hipot
- ◆ **Primaries**— Dual primaries (115/230V- 50/60)
- ◆ **Secondaries**— Series or parallel secondaries
- ◆ **Electrostatic Shield**— Not necessary, dual bobbin construction
- ◆ **Terminals**— Solder lug/quick-connect type terminals
- ◆ **Leakage**— Leakage current to meet UL 544
- ◆ **Insulation**— Class F insulation (155°C)
- ◆ **Flammability Rating**— Bobbin and shroud material meet UL 94VO

### Agency Standards

- ◆ UL recognized to UL 506
- ◆ CSA compliant to C22.2 #66
- ◆ VDE compliant to VDE/EN 60950
- ◆ VDE compliant to IEC 950



MOUNTING STYLE A



MOUNTING STYLE B

Part No.	VA (Size)	Secondary RMS Rating	
		Series	Parallel
PTT-03-10-25	25	10VCT @ 2.5A	5V @ 5.0A
PTT-03-10-43	43	10VCT @ 4.3A	5V @ 8.6A
PTT-03-10-80	80	10VCT @ 8.0A	5V @ 16.0A
PTT-03-10-130	130	10VCT @ 13.0A	5V @ 26.0A
PTT-03-10-175	175	10VCT @ 17.5A	5V @ 35.0A
PTT-03-12-25	25	12.6VCT @ 2.0A	6.3V @ 4.0A
PTT-03-12-43	43	12.6VCT @ 3.4A	6.3V @ 6.8A
PTT-03-12-80	80	12.6VCT @ 6.3A	6.3V @ 12.6A
PTT-03-12-130	130	12.6VCT @ 10.3A	6.3V @ 20.6A
PTT-03-12-175	175	12.6VCT @ 14A	6.3V @ 28.0A
PTT-03-16-25	25	16VCT @ 1.6A	8V @ 3.2A
PTT-03-16-43	43	16VCT @ 2.7A	8V @ 5.4A
PTT-03-16-80	80	16VCT @ 5.0A	8V @ 10.0A
PTT-03-16-130	130	16VCT @ 8.1A	8V @ 16.2A
PTT-03-16-175	175	16VCT @ 11.0A	8V @ 22.0A
PTT-03-20-25	25	20VCT @ 1.25A	10V @ 2.5A
PTT-03-20-43	43	20VCT @ 2.2A	10V @ 4.4A
PTT-03-20-80	80	20VCT @ 4.0A	10V @ 8.0A
PTT-03-20-130	130	20VCT @ 6.5A	10V @ 13.0A
PTT-03-20-175	175	20VCT @ 8.8A	10V @ 17.6A
PTT-03-24-25	25	24VCT @ 1.0A	12V @ 2.0A
PTT-03-24-43	43	24VCT @ 1.8A	12V @ 3.6A
PTT-03-24-80	80	24VCT @ 3.3A	12V @ 6.6A
PTT-03-24-130	130	24VCT @ 5.4A	12V @ 10.8A
PTT-03-24-175	175	24VCT @ 7.3A	12V @ 14.6A
PTT-03-28-25	25	28VCT @ 0.9A	14V @ 1.86A
PTT-03-28-43	43	28VCT @ 1.5A	14V @ 3.0A
PTT-03-28-80	80	28VCT @ 2.8A	14V @ 5.6A
PTT-03-28-130	130	28VCT @ 4.6A	14V @ 9.2A
PTT-03-28-175	175	28VCT @ 6.25A	14V @ 12.5A
PTT-03-36-25	25	36VCT @ 0.7A	18V @ 1.4A
PTT-03-36-43	43	36VCT @ 1.2A	18V @ 2.4A
PTT-03-36-80	80	36VCT @ 2.2A	18V @ 4.4A
PTT-03-36-130	130	36VCT @ 3.6A	18V @ 7.2A
PTT-03-36-175	175	36VCT @ 4.8A	18V @ 9.6A
PTT-03-230-25	25	230VCT @ 0.11A	115V @ 0.22A
PTT-03-230-43	43	230VCT @ 0.19A	115V @ 0.38A
PTT-03-230-80	80	230VCT @ 0.35A	115V @ 0.70A
PTT-03-230-130	130	230VCT @ 0.57A	115V @ 1.14A
PTT-03-230-175	175	230VCT @ 0.76A	115V @ 1.52A

VA Size	L	W	H	A	B	C	Term.	Mtg. Style	Mtg. Dim. ML	Mtg. Dim. MW	Mtg. Screw	Wgt. (lbs)
25	2.81	1.87	2.31	2.00	1.12	0.31	0.187	A	2.37	---	#6	1.25
43	3.12	2.06	2.68	2.25	1.12	0.31	0.187	A	2.81	---	#6	1.6
80	2.50	2.37	3.00	--	1.37	0.31	0.187	B	2.00	2.18	#6	2.80
130	2.81	2.87	3.37	--	1.62	0.37	0.250	B	2.25	2.50	#8	4.10
175	3.12	2.87	3.75	--	1.62	0.37	0.250	B	2.50	2.50	#8	5.50



## CLASS 2 TRANSFORMERS

### PTT-04 SERIES



# CLASS 2 TRANSFORMERS

## Inherently or Non-inherently Limited Printed Circuit Mount

Our Class 2 transformers are available in printed circuit and chassis mount versions. They are supplied as inherently or non-inherently limited units that are UL 1585 compliant.

### General Specifications

- ◆ **Power**— 25VA to 50VA
- ◆ **Dielectric Strength**— 4000VRMS Hipot
- ◆ **Primaries**— Dual primaries (115/230V- 50/60 Hz)
- ◆ **Secondaries**— Single secondary
- ◆ **Electrostatic Shield**— Not necessary, split or dual bobbin construction
- ◆ **Class 2 Rating**— Inherently or non-inherently limited. See secondary fuse requirements in tables below.
- ◆ **Leakage**— Leakage current to meet UL 544
- ◆ **Insulation**— Class F insulation (155°C)
- ◆ **Flammability Rating**— Bobbin and shroud material meet UL 94VO.

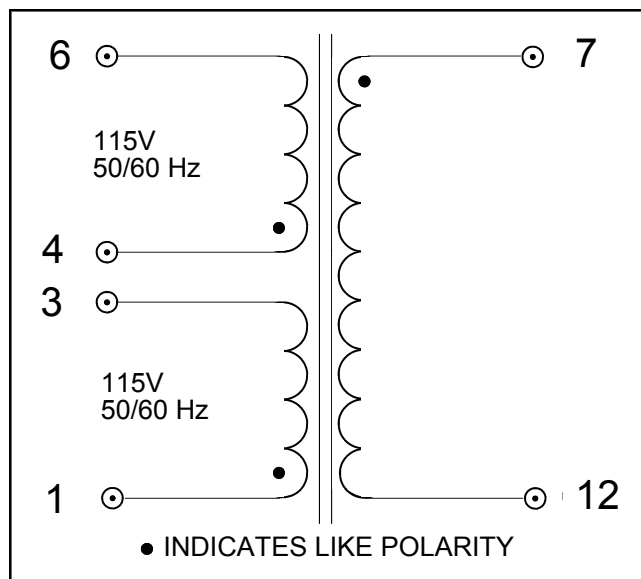
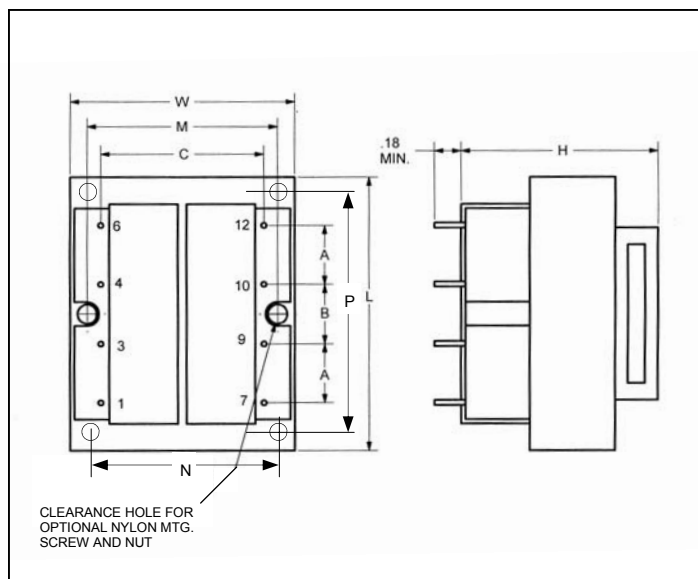
### Agency Standards

- ◆ UL recognized to UL 1585 Class 2.

### PTT-04 SERIES

Part No.	Secondary RMS Rating	Secondary Fuse Req'd.
PTT-04-2.5-12	12V @ .20A	N/A*
PTT-04-2.5-24	24V @ .10A	N/A*
PTT-04-5.0-12	12V @ .42A	N/A*
PTT-04-5.0-24	24V @ .20A	N/A*
PTT-04-10-12	12V @ .83A	N/A*
PTT-04-10-24	24V @ .42A	N/A*
PTT-04-20-12	12V @ 1.66A	N/A*
PTT-04-20-24	24V @ .833A	N/A*
PTT-04-30-12	12V @ 2.5A	3.0A**
PTT-04-30-24	24V @ 1.25A	NA*
PTT-04-50-12	12V @ 4.2A	5.0A**
PTT-04-50-24	24V @ 2.1A	2.5A**

\*Inherently Limited  
\*\* Non-inherently Limited



VA (Size)	Dimensions						Sq. Pin Dim.	Mtg. Dim.			Mtg. Screw		Wgt. (lbs.)
	L	W	H	A	B	C		M	N	P	Size	Qty.	
2.5	1.62	1.31	1.12	0.20	0.250	1.00	0.025	1.06	--	--	#4	2	0.25
5.0	1.62	1.31	1.37	0.20	0.400	1.00	0.025	1.06	--	--	#4	2	0.37
10.0	1.87	1.56	1.37	0.20	0.400	1.14	0.038	1.25	--	--	#4	2	0.53
20.0	2.25	1.87	1.62	0.40	0.400	1.46	0.038	1.50	--	--	#4	2	0.90
30.0	2.62	2.18	1.57	0.55	0.275	1.68	0.045	--	1.75	2.18	#6	4	1.15
50.0	3.00	2.50	1.82	0.60	0.300	1.90	0.045	--	2.00	2.50	#6	4	1.70

# POWER ISOLATION TRANSFORMERS

## PTT-05 , 06 SERIES



PACIFIC TRANSFORMER CORP., 5399 E. HUNTER AVE., ANAHEIM, CA. 92807  
(714) 779-0450 • (800) 325-0501 • FAX (714) 779-0718 • [www.pactran.com](http://www.pactran.com)

# POWER ISOLATION TRANSFORMERS

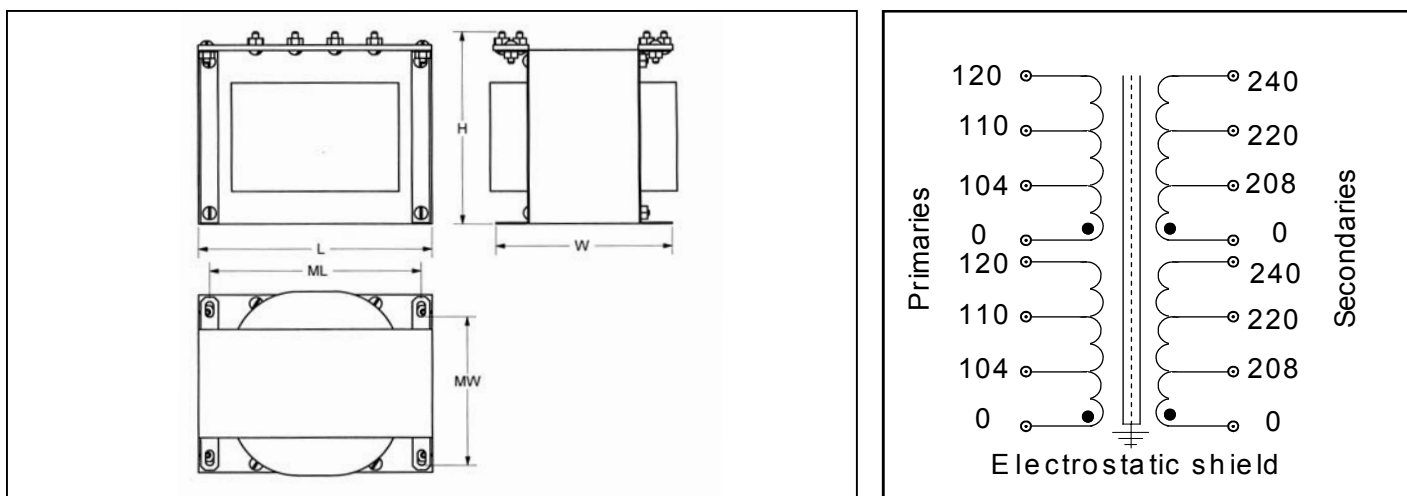
## Industrial Grade Step-up Transformers

Our power isolation transformers have been designed to provide a multitude of step-up voltages to accommodate the various input voltages available throughout the world. Also designed and constructed to meet UL and CSA safety standards.

### General Specifications

- ◆ **Power**—250 VA to 9 KVA (500 VA to 18 KVA possible if used as auto-transformer)
- ◆ **Dielectric Strength**—2500VRMS Hipot
- ◆ **Primaries**—Dual/tapped primaries: Parallel connected (104V, 110V, 120V-50-500 Hz). Series connected (208V, 220V, 230V, 240V-50-500 Hz).
- ◆ **Secondaries**—Dual/tapped secondaries: Parallel connected (208V, 220V, 240V-50-500 Hz). Series connected (416V, 440V, 460V, 480V-50-500 Hz).
- ◆ **Electrostatic Shield**—5 mil thick copper foil connected to ground. The connection may be opened if an ungrounded shield is desired.
- ◆ **Terminals**—Plated brass screw type terminals
- ◆ **Insulation**—Class H insulation (180 C.)

As shown on the schematic diagram the transformer is designed with dual primaries and secondaries. Two primary windings are identically rated at 0/104/110/120. Two secondary windings are identically rated at 0/208/220/240. This permits series or parallel connections on either primary or secondary. Therefore a nominal 110 to 220 volt, 220 to 440 volt, 110 to 440 volt or 440 to 110 volt transformer can be set up. The winding taps permit intermediate series ratings such as 416, 428 and 460 volts. It is also possible to make auto-transformer connections by connecting a primary group in series with a secondary group. Such nominal ratings a 660 to 330 volts or 330 to 660 volts can be set up, in addition to the standard ratings described above. A further advantage to auto-transformer connection is the fact that the KVA rating of a particular type is doubled.



### PTT-05 SERIES

Part No.	KVA (Max.)	Series Secondaries		Parallel Secondaries		Mechanical Dimensions					Mtg. & Term. Screw	Wgt. (LBS.)
		Volts	Amps (Max.)	Volts	Amps (Max.)	L (Max.)	W (Max.)	H (Max.)	ML ±.06	MW ±.12		
PTT-05-2	0.29	0/416/440/480	0.60	0/208/220/240	1.2	5.31	4.25	5.50	4.37	2.50	#10	13
PTT-05-4	0.58	0/416/440/480	1.20	0/208/220/240	2.4	5.31	5.31	5.50	4.37	3.62	#10	19
PTT-05-6	1.15	0/416/440/480	2.40	0/208/220/240	4.8	7.56	6.25	7.65	6.75	4.12	1/4	34
PTT-05-8	2.30	0/416/440/480	4.80	0/208/220/240	9.6	7.56	8.25	7.65	6.75	6.00	1/4	57
PTT-05-10	3.75	0/416/440/480	7.80	0/208/220/240	15.6	7.56	9.25	7.65	6.75	7.00	1/4	72
PTT-05-12	6.05	0/416/440/480	12.60	0/208/220/240	25.2	7.56	10.75	7.65	6.75	8.50	1/4	90
PTT-05-14	7.68	0/416/440/480	16.00	0/208/220/240	32.0	9.00	10.75	8.25	7.50	8.50	1/4	107
PTT-05-16	10.10	0/416/440/480	21.00	0/208/220/240	42.0	9.00	13.00	8.25	7.50	9.00	1/4	155

# POWER ISOLATION TRANSFORMERS

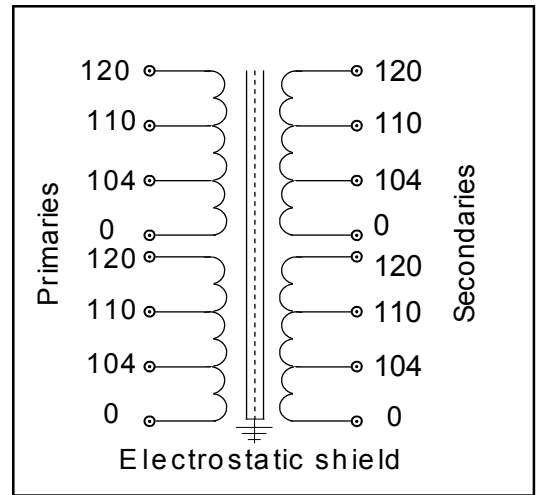
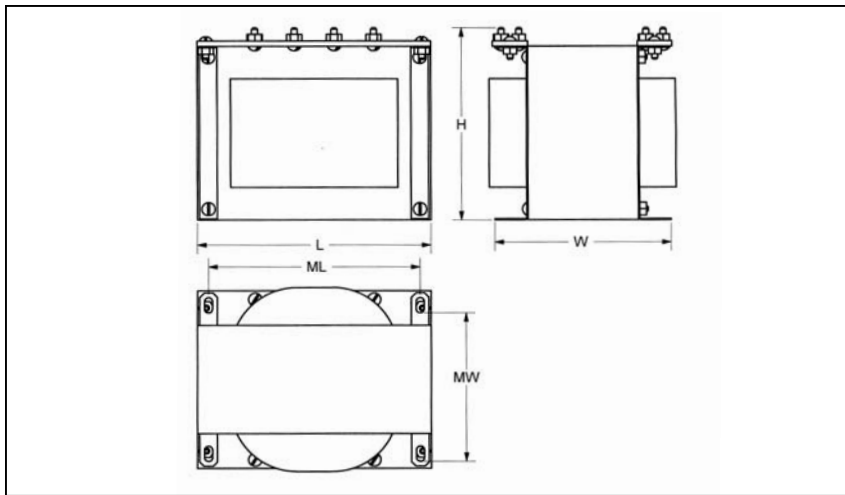
## Industrial Grade Step-up Transformers

Our power isolation transformers have been designed to provide a multitude of step-up voltages to accommodate the various input voltages available throughout the world. Also designed and constructed to meet UL and CSA safety standards.

### General Specifications

- ◆ **Power**—250 VA to 9 KVA (500 VA to 18 KVA possible if used as auto-transformer)
- ◆ **Dielectric Strength**—2500VRMS Hipot
- ◆ **Primaries**—Dual/tapped primaries: Parallel connected (104V, 110V, 120V-50-500 Hz). Series connected (208V, 220V, 230V, 240V-50-500 Hz).
- ◆ **Secondaries**—Dual/tapped secondaries: Parallel connected (104V, 110V, 120V-50-500 Hz). Series connected (208V, 220V, 230V, 240V-50-500 Hz).
- ◆ **Electrostatic Shield**—5 mil thick copper foil connected to ground. The connection may be opened if an ungrounded shield is desired.
- ◆ **Terminals**—Plated brass screw type terminals
- ◆ **Insulation**—Class H insulation (180 C.)

As shown on the schematic diagram the transformer is designed with dual primaries and secondaries. Two primary windings are identically rated at 0/104/110/120. Two secondary windings are identically rated at 0/104/110/120. This permits series or parallel connections on either primary or secondary. Therefore a nominal 110 to 110 volt, 220 to 220 volt, 220 to 110 volt or 240 to 110 volt transformer can be set up. The winding taps permit intermediate series ratings such as 208, 214 and 230 volts. It is also possible to make auto-transformer connections by connecting a primary group in series with a secondary group. Such nominal ratings as 440 to 220 volts or 220 to 440 volts can be set up, in addition to the standard ratings described above. A further advantage to auto-transformer connection is the fact that the KVA rating of a particular type is doubled.



### PTT-06 SERIES

Part No.	KVA (Max.)	Series Secondaries		Parallel Secondaries		Mechanical Dimensions					Mtg. & Term. Screw	Wgt. (LBS.)
		Volts	Amps (Max.)	Volts	Amps (Max.)	L (Max.)	W (Max.)	H (Max.)	ML ±.06	MW ±.12		
PTT-06-2	0.29	0/208/220/240	1.20	0/104/110/120	2.4	5.31	4.25	5.50	4.37	2.50	#10	13
PTT-06-4	0.58	0/208/220/240	2.40	0/104/110/120	4.8	5.31	5.31	5.50	4.37	3.62	#10	19
PTT-06-6	1.15	0/208/220/240	4.80	0/104/110/120	9.6	7.56	6.25	7.65	6.75	4.12	1/4	34
PTT-06-8	2.30	0/208/220/240	9.60	0/104/110/120	19.2	7.56	8.25	7.65	6.75	6.00	1/4	57
PTT-06-10	3.75	0/208/220/240	15.60	0/104/110/120	31.2	7.56	9.25	7.65	6.75	7.00	1/4	72
PTT-06-12	6.05	0/208/220/240	25.20	0/104/110/120	50.4	7.56	10.75	7.65	6.75	8.50	1/4	90
PTT-06-14	7.68	0/208/220/240	32.00	0/104/110/120	64.0	9.00	10.75	8.25	7.50	8.50	1/4	107
PTT-06-16	10.10	0/208/220/240	42.00	0/104/110/120	84.0	9.00	13.00	8.25	7.50	9.00	1/4	155

## SPLIT BOBBIN WITH HIGH ISOLATION

### PTT-08 , 09 SERIES



PACIFIC TRANSFORMER CORP., 5399 E. HUNTER AVE., ANAHEIM, CA. 92807  
(714) 779-0450 • (800) 325-0501 • FAX (714) 779-0718 • [www.pactran.com](http://www.pactran.com)

# Chassis Mount, Quick Connect Terminal, Split Bobbin Design

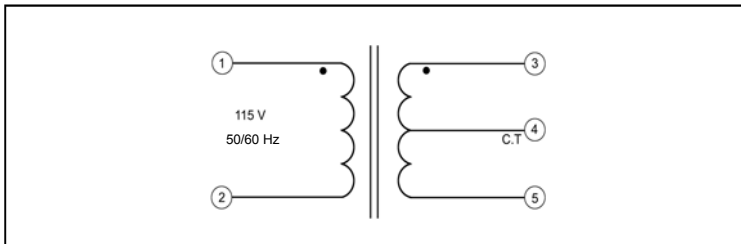
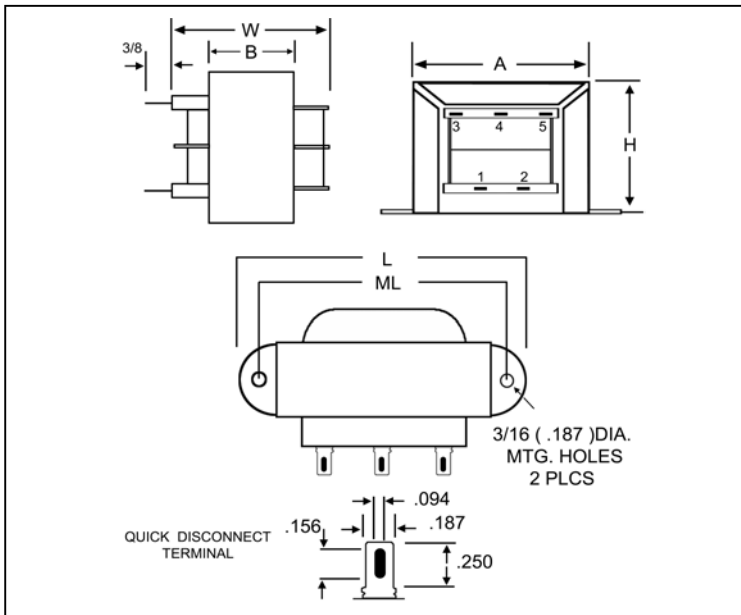
Pacific's PTT-08 Series with split bobbin and non-concentric winding provide better insulation and high signal isolation.

### General Specifications

- ◆ **Power**— 2.4VA to 100VA
- ◆ **Dielectric Strength**— 2500VRMS Hipot
- ◆ **Primaries**— Single primary (115V- 50/60Hz)
- ◆ **Secondaries**— Center tapped secondaries
- ◆ **Terminals**— Solder lug/quick-connect type terminals
- ◆ **Insulation**— Class B insulation (130°C)

### Agency Standards

- ◆ UL compliant to UL 506
- ◆ CSA compliant to C22.2 #66



VA (Size)	L	W	H	A	B	ML	Wgt (lbs)
2.4	2.06	1.06	1.18	1.620	0.560	1.75	0.25
6	2.37	1.25	1.37	1.680	0.680	2.00	0.44
12	2.81	1.37	1.62	1.930	0.810	2.37	0.70
30	3.25	1.68	1.93	2.310	1.060	2.81	1.10
56	3.68	1.81	2.25	2.680	1.060	3.12	1.70
100	4.03	2.25	2.56	3.060	1.310	3.50	2.75

## PTT-08 SERIES

Primary 50/60 Hz Single 115V	VA (Size)	Secondary RMS Rating
PTT-08-2.4-10	2.4	10VCT @ 0.25A
PTT-08-2.4-12	2.4	12.6VCT @ 0.20A
PTT-08-2.4-16	2.4	16VCT @ 0.15A
PTT-08-2.4-20	2.4	20VCT @ 0.12A
PTT-08-2.4-24	2.4	24VCT @ 0.1A
PTT-08-2.4-28	2.4	28VCT @ 0.085A
PTT-08-2.4-36	2.4	36VCT @ 0.065A
PTT-08-2.4-48	2.4	48VCT @ 0.05A
PTT-08-2.4-56	2.4	56VCT @ 0.045A
PTT-08-2.4-120	2.4	120VCT @ 0.02A
PTT-08-6-10	6	10VCT @ 0.60A
PTT-08-6-12	6	12.6VCT @ 0.50A
PTT-08-6-16	6	16VCT @ 0.40A
PTT-08-6-20	6	20VCT @ 0.30A
PTT-08-6-24	6	24VCT @ 0.25A
PTT-08-6-28	6	28VCT @ 0.20A
PTT-08-6-36	6	36VCT @ 0.17A
PTT-08-6-48	6	48VCT @ 0.125A
PTT-08-6-56	6	56VCT @ 0.11A
PTT-08-6-120	6	120VCT @ 0.05A
PTT-08-12-10	12	10VCT @ 1.2A
PTT-08-12-12	12	12.6VCT @ 1.0A
PTT-08-12-16	12	16VCT @ 0.80A
PTT-08-12-20	12	20VCT @ 0.60A
PTT-08-12-24	12	24VCT @ 0.50A
PTT-08-12-28	12	28VCT @ 0.42A
PTT-08-12-36	12	36VCT @ 0.35A
PTT-08-12-48	12	48VCT @ 0.25A
PTT-08-12-56	12	56VCT @ 0.22A
PTT-08-12-120	12	120VCT @ 0.10A
PTT-08-30-10	30	10VCT @ 3.0A
PTT-08-30-12	30	12.6VCT @ 2.5A
PTT-08-30-16	30	16VCT @ 2.0A
PTT-08-30-20	30	20VCT @ 1.5A
PTT-08-30-24	30	24VCT @ 1.25A
PTT-08-30-28	30	28VCT @ 1.1A
PTT-08-30-36	30	36VCT @ 0.85A
PTT-08-30-48	30	48VCT @ 0.63A
PTT-08-30-56	30	56VCT @ 0.54A
PTT-08-30-120	30	120VCT @ 0.25A
PTT-08-56-10	56	10VCT @ 5.0A
PTT-08-56-12	56	12.6VCT @ 4.0A
PTT-08-56-16	56	16VCT @ 3.5A
PTT-08-56-20	56	20VCT @ 2.8A
PTT-08-56-24	56	24VCT @ 2.4A
PTT-08-56-28	56	28VCT @ 2.0A
PTT-08-56-36	56	36VCT @ 1.5A
PTT-08-56-48	56	48VCT @ 1.2A
PTT-08-56-56	56	56VCT @ 1.0A
PTT-08-56-120	56	120VCT @ 0.50A
PTT-08-100-10	100	10VCT @ 10A
PTT-08-100-12	100	12.6VCT @ 8.0A
PTT-08-100-16	100	16VCT @ 6.25A
PTT-08-100-20	100	20VCT @ 5.0A
PTT-08-100-24	100	24VCT @ 4.0A
PTT-08-100-28	100	28VCT @ 3.6A
PTT-08-100-36	100	36VCT @ 2.8A
PTT-08-100-48	100	48VCT @ 2.0A
PTT-08-100-56	100	56VCT @ 1.8A
PTT-08-100-120	100	120VCT @ 0.85A

# Chassis Mount, Quick Connect Terminal, Split Bobbin Design

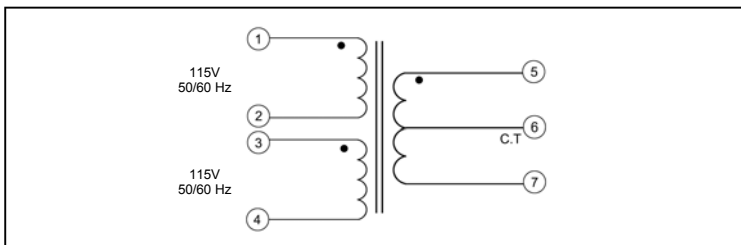
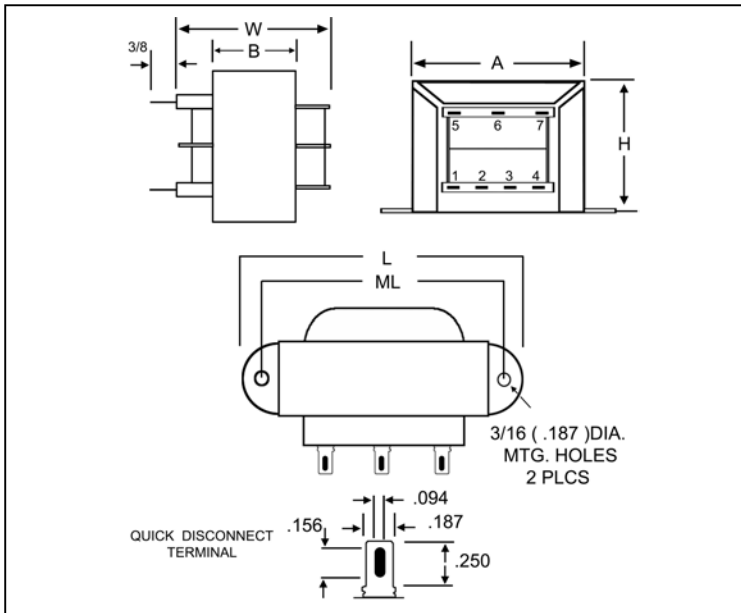
Pacific's PTT-09 Series with split bobbin and non-concentric winding provide better insulation and high signal isolation.

## General Specifications

- ◆ **Power**— 2.4VA to 100VA
- ◆ **Dielectric Strength**— 2500VRMS Hipot
- ◆ **Primaries**— Dual primaries (115/230V- 50/60Hz)
- ◆ **Secondaries**— Center tapped secondaries
- ◆ **Terminals**— Solder lug/quick-connect type terminals
- ◆ **Insulation**— Class B insulation (130°C)

## Agency Standards

- ◆ UL compliant to UL 506
- ◆ CSA compliant to C22.2 #66



VA (Size)	L	W	H	A	B	ML	Wgt (lbs)
6	2.37	1.25	1.37	1.680	0.680	2.00	0.44
12	2.81	1.37	1.62	1.930	0.810	2.37	0.70
30	3.25	1.68	1.93	2.310	1.060	2.81	1.10
56	3.68	1.81	2.25	2.680	1.060	3.12	1.70
100	4.03	2.25	2.56	3.060	1.310	3.50	2.75

## PTT-09 SERIES

Primary 50/60 Hz Single 115V	VA (Size)	Secondary RMS Rating
PTT-09-6-10	6	10VCT @ 0.60A
PTT-09-6-12	6	12.6VCT @ 0.50A
PTT-09-6-16	6	16VCT @ 0.40A
PTT-09-6-20	6	20VCT @ 0.30A
PTT-09-6-24	6	24VCT @ 0.25A
PTT-09-6-28	6	28VCT @ 0.20A
PTT-09-6-36	6	36VCT @ 0.17A
PTT-09-6-48	6	48VCT @ 0.125A
PTT-09-6-56	6	56VCT @ 0.11A
PTT-09-6-120	6	120VCT @ 0.05A
PTT-09-12-10	12	10VCT @ 1.2A
PTT-09-12-12	12	12.6VCT @ 1.0A
PTT-09-12-16	12	16VCT @ 0.80A
PTT-09-12-20	12	20VCT @ 0.60A
PTT-09-12-24	12	24VCT @ 0.50A
PTT-09-12-28	12	28VCT @ 0.42A
PTT-09-12-36	12	36VCT @ 0.35A
PTT-09-12-48	12	48VCT @ 0.25A
PTT-09-12-56	12	56VCT @ 0.22A
PTT-09-12-120	12	120VCT @ 0.10A
PTT-09-30-10	30	10VCT @ 3.0A
PTT-09-30-12	30	12.6VCT @ 2.5A
PTT-09-30-16	30	16VCT @ 2.0A
PTT-09-30-20	30	20VCT @ 1.5A
PTT-09-30-24	30	24VCT @ 1.25A
PTT-09-30-28	30	28VCT @ 1.1A
PTT-09-30-36	30	36VCT @ 0.85A
PTT-09-30-48	30	48VCT @ 0.63A
PTT-09-30-56	30	56VCT @ 0.54A
PTT-09-30-120	30	120VCT @ 0.25A
PTT-09-56-10	56	10VCT @ 5.0A
PTT-09-56-12	56	12.6VCT @ 4.0A
PTT-09-56-16	56	16VCT @ 3.5A
PTT-09-56-20	56	20VCT @ 2.8A
PTT-09-56-24	56	24VCT @ 2.4A
PTT-09-56-28	56	28VCT @ 2.0A
PTT-09-56-36	56	36VCT @ 1.5A
PTT-09-56-48	56	48VCT @ 1.2A
PTT-09-56-56	56	56VCT @ 1.0A
PTT-09-56-120	56	120VCT @ 0.50A
PTT-09-100-10	100	10VCT @ 10A
PTT-09-100-12	100	12.6VCT @ 8.0A
PTT-09-100-16	100	16VCT @ 6.25A
PTT-09-100-20	100	20VCT @ 5.0A
PTT-09-100-24	100	24VCT @ 4.0A
PTT-09-100-28	100	28VCT @ 3.6A
PTT-09-100-36	100	36VCT @ 2.8A
PTT-09-100-48	100	48VCT @ 2.0A
PTT-09-100-56	100	56VCT @ 1.8A
PTT-09-100-120	100	120VCT @ 0.85A



## CONVENTIONAL RECTIFIER POWER TRANSFORMER

### **PTT-10 , 11 SERIES**



# Conventional Rectifier Power Transformer ( Single Primary )

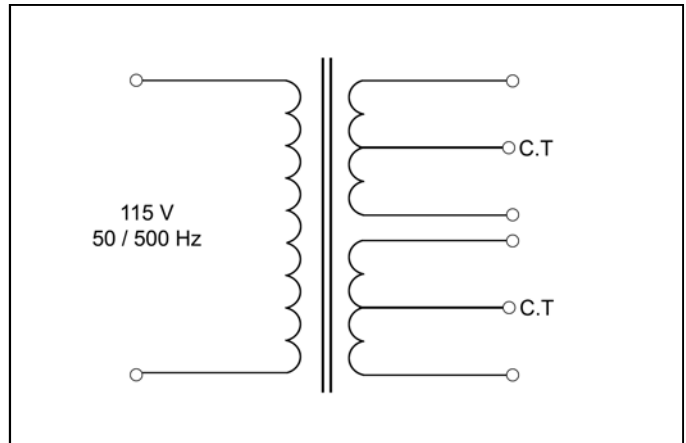
Our PTT-10 series transformer provide a wide variety of outputs .

### Product Features & Specifications

- ◆ **Power**— 10VA to 2800VA
- ◆ **Primaries**— Single Primary 115V, 50-500Hz  
(optional taps :105V, 125V)
- ◆ **Secondaries**— Center-tapped series or center-tapped parallel secondaries
- ◆ **Insulation**— Class B insulation (135°C)
- ◆ **Dielectric Strength**— 2500VRMS Hipot

### Agency Standards

- ◆ UL recognized to UL 506
- ◆ CSA compliant to C22.2 #66



## PTT-10 SERIES

Primary 50/500 Hz Single 115V	Secondary RMS Rating	
	Series	Parallel
PTT-10-10-10	10VCT @ 1A	5VCT @ 2A
PTT-10-20-10	10VCT @ 2A	5VCT @ 4A
PTT-10-40-10	10VCT @ 4A	5VCT @ 8A
PTT-10-60-10	10VCT @ 6A	5VCT @ 12A
PTT-10-80-10	10VCT @ 8A	5VCT @ 16A
PTT-10-120-10	10VCT @ 12A	5VCT @ 24A
PTT-10-250-10	10VCT @ 25A	5VCT @ 50A
PTT-10-500-10	10VCT @ 50A	5VCT @ 100A
PTT-10-1000-10	10VCT @ 100A	5VCT @ 200A
PTT-10-12-12	12.8VCT @ 1A	6.4VCT @ 2A
PTT-10-25-12	12.8VCT @ 2A	6.4VCT @ 4A
PTT-10-51-12	12.8VCT @ 4A	6.4VCT @ 8A
PTT-10-76-12	12.8VCT @ 6A	6.4VCT @ 12A
PTT-10-102-12	12.8VCT @ 8A	6.4VCT @ 16A
PTT-10-153-12	12.8VCT @ 12A	6.4VCT @ 24A
PTT-10-320-12	12.8VCT @ 25A	6.4VCT @ 50A
PTT-10-640-12	12.8VCT @ 50A	6.4VCT @ 100A
PTT-10-1280-12	12.8VCT @ 100A	6.4VCT @ 200A
PTT-10-16-16	16VCT @ 1A	8VCT @ 2A
PTT-10-32-16	16VCT @ 2A	8VCT @ 4A
PTT-10-64-16	16VCT @ 4A	8VCT @ 8A
PTT-10-96-16	16VCT @ 6A	8VCT @ 12A
PTT-10-128-16	16VCT @ 8A	8VCT @ 16A
PTT-10-192-16	16VCT @ 12A	8VCT @ 24A
PTT-10-400-16	16VCT @ 25A	8VCT @ 50A
PTT-10-800-16	16VCT @ 50A	8VCT @ 100A
PTT-10-1600-16	16VCT @ 100A	8VCT @ 200A
PTT-10-24-24	24VCT @ 1A	12VCT @ 2A
PTT-10-48-24	24VCT @ 2A	12VCT @ 4A
PTT-10-96-24	24VCT @ 4A	12VCT @ 8A
PTT-10-144-24	24VCT @ 6A	12VCT @ 12A
PTT-10-192-24	24VCT @ 8A	12VCT @ 16A
PTT-10-288-24	24VCT @ 12A	12VCT @ 24A
PTT-10-480-24	24VCT @ 20A	12VCT @ 40A
PTT-10-600-24	24VCT @ 25A	12VCT @ 50A
PTT-10-1200-24	24VCT @ 50A	12VCT @ 100A

## PTT-10 SERIES

Primary 50/500 Hz Single 115V	Secondary RMS Rating	
	Series	Parallel
PTT-10-36-36	36VCT @ 1A	18VCT @ 2A
PTT-10-72-36	36VCT @ 2A	18VCT @ 4A
PTT-10-144-36	36VCT @ 4A	18VCT @ 8A
PTT-10-216-36	36VCT @ 6A	18VCT @ 12A
PTT-10-288-36	36VCT @ 8A	18VCT @ 16A
PTT-10-432-36	36VCT @ 12A	18VCT @ 24A
PTT-10-720-36	36VCT @ 20A	18VCT @ 40A
PTT-10-900-36	36VCT @ 25A	18VCT @ 50A
PTT-10-1080-36	36VCT @ 30A	18VCT @ 60A
PTT-10-56-56	56VCT @ 1A	28VCT @ 2A
PTT-10-112-56	56VCT @ 2A	28VCT @ 4A
PTT-10-224-56	56VCT @ 4A	28VCT @ 8A
PTT-10-336-56	56VCT @ 6A	28VCT @ 12A
PTT-10-448-56	56VCT @ 8A	28VCT @ 16A
PTT-10-672-56	56VCT @ 12A	28VCT @ 24A
PTT-10-1400-56	56VCT @ 25A	28VCT @ 50A
PTT-10-68-68	68VCT @ 1A	34VCT @ 2A
PTT-10-136-68	68VCT @ 2A	34VCT @ 4A
PTT-10-272-68	68VCT @ 4A	34VCT @ 8A
PTT-10-408-68	68VCT @ 6A	34VCT @ 12A
PTT-10-544-68	68VCT @ 8A	34VCT @ 16A
PTT-10-816-68	68VCT @ 12A	34VCT @ 24A
PTT-10-80-80	80VCT @ 1A	40VCT @ 2A
PTT-10-160-80	80VCT @ 2A	40VCT @ 4A
PTT-10-320-80	80VCT @ 4A	40VCT @ 8A
PTT-10-480-80	80VCT @ 6A	40VCT @ 12A
PTT-10-640-80	80VCT @ 8A	40VCT @ 16A
PTT-10-960-80	80VCT @ 12A	40VCT @ 24A

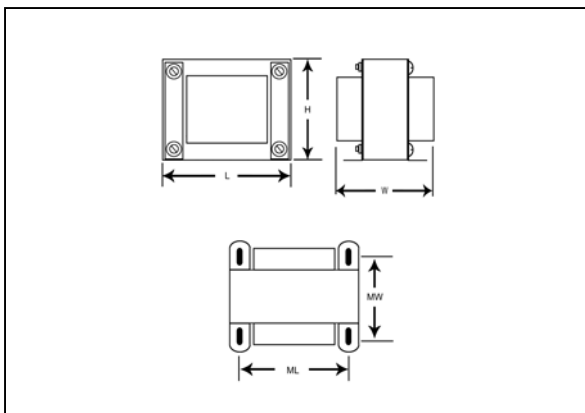
FOR MECHANICAL DIMENSIONS  
SEE NEXT PAGES

# Conventional Rectifier Power Transformer ( Single Primary )

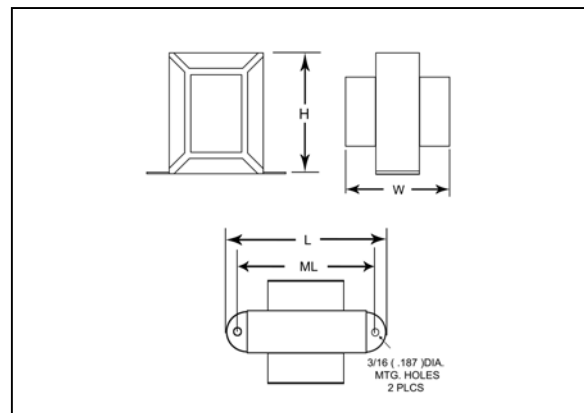
## PTT-10 SERIES

Primary 50/500 Hz Single 115V	Mtg. Style	L	W	H	ML	MW	Mtg. Screw	Wgt
PTT-10-10-10	B	2.87	1.75	2.31	2.37	-	#8	1.00
PTT-10-20-10	B	3.12	2.12	2.75	2.81	-	#8	1.50
PTT-10-40-10	B	3.56	2.37	3.06	3.12	-	#8	2.30
PTT-10-60-10	A	3.37	2.75	2.81	2.81	2.12	#8	3.30
PTT-10-80-10	A	3.37	3.12	2.81	2.81	2.50	#8	4.00
PTT-10-120-10	A	3.75	3.25	3.12	3.12	2.50	#8	5.00
PTT-10-250-10	A	4.50	3.75	3.75	3.75	2.75	#10	8.70
PTT-10-500-10	A	5.25	5.50	4.37	4.37	3.62	1/4	16.00
PTT-10-1000-10	A	6.37	7.25	5.31	5.31	4.37	1/4	34.50
PTT-10-12-12	B	2.87	2.00	2.31	2.37	-	#8	1.20
PTT-10-25-12	A	3.00	2.50	2.50	2.50	2.00	#8	2.30
PTT-10-51-12	A	3.00	2.87	2.50	2.50	2.37	#8	2.80
PTT-10-76-12	A	3.37	3.06	2.81	2.81	2.50	#8	4.00
PTT-10-102-12	A	3.75	3.12	3.12	3.12	2.25	#8	4.50
PTT-10-153-12	A	4.12	3.25	3.43	3.43	2.37	#10	6.00
PTT-10-320-12	A	5.25	4.25	4.37	4.37	2.87	#10	12.50
PTT-10-640-12	A	5.25	6.00	4.37	4.37	4.12	1/4	20.70
PTT-10-1280-12	A	6.37	7.25	5.31	5.31	4.37	1/4	34.50
PTT-10-16-16	B	2.87	2.00	2.31	2.37	-	#8	1.20
PTT-10-32-16	B	3.12	2.25	2.75	2.81	-	#8	1.70
PTT-10-64-16	A	3.37	2.75	2.81	2.81	2.12	#8	3.30
PTT-10-96-16	A	3.75	3.12	3.12	3.12	2.25	#10	4.50
PTT-10-128-16	A	3.75	3.50	3.12	3.12	2.62	#10	5.40
PTT-10-192-16	A	4.12	3.87	3.43	3.43	3.00	#10	7.90
PTT-10-400-16	A	4.50	5.37	3.75	3.75	4.00	#10	14.50
PTT-10-800-16	A	6.37	5.70	5.31	5.31	3.75	1/4	26.50
PTT-10-1600-16	A	7.50	7.50	6.37	6.75	4.62	1/4	50.00
PTT-10-24-24	A	3.00	2.50	2.50	2.50	2.00	#8	2.30
PTT-10-48-24	A	3.00	2.87	2.50	2.50	2.37	#8	2.90
PTT-10-96-24	A	3.75	3.12	3.12	3.12	2.25	#8	4.50
PTT-10-144-24	A	4.12	3.25	3.43	3.43	2.37	#10	5.80
PTT-10-192-24	A	4.12	3.87	3.43	3.43	3.00	#10	7.90
PTT-10-288-24	A	4.50	4.50	3.75	3.75	3.37	#10	11.00
PTT-10-480-24	A	5.25	4.75	4.37	4.37	3.37	#10	15.30
PTT-10-600-24	A	5.25	5.62	4.37	4.37	4.12	1/4	19.50
PTT-10-1200-24	A	6.37	6.25	5.31	5.31	4.37	1/4	31.30

STYLE A



STYLE B

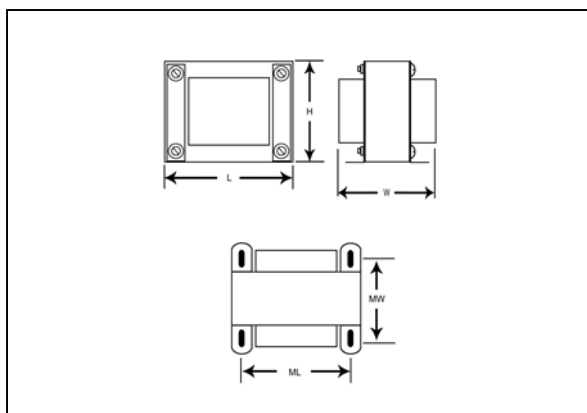


# Conventional Rectifier Power Transformer ( Single Primary )

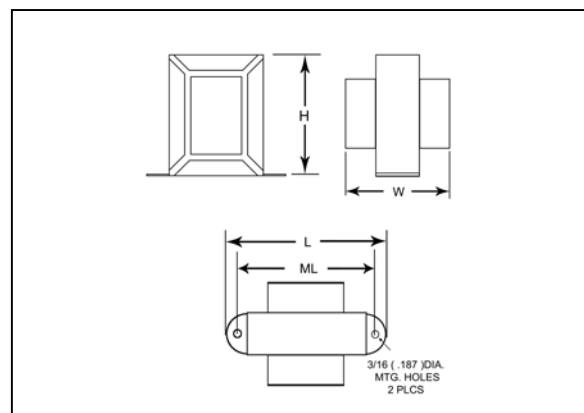
## PTT-10 SERIES

Primary 50/500 Hz Single 115V	Mtg. Style	L	W	H	ML	MW	Mtg. Screw	Wgt
PTT-10-36-36	A	3.00	2.75	2.50	2.50	2.25	#8	2.60
PTT-10-72-36	A	3.37	2.93	2.81	2.81	2.37	#8	3.80
PTT-10-144-36	A	4.12	3.37	3.43	3.43	2.62	#10	6.80
PTT-10-216-36	A	4.50	3.75	3.75	3.75	2.75	#10	8.70
PTT-10-288-36	A	4.50	4.50	3.75	3.75	3.37	#10	11.00
PTT-10-432-36	A	5.25	5.00	4.37	4.37	3.37	1/4	15.00
PTT-10-720-36	A	6.37	5.37	5.31	5.31	3.37	1/4	22.80
PTT-10-900-36	A	6.37	5.75	5.31	5.31	3.75	1/4	26.50
PTT-10-1080-36	A	6.37	6.00	5.31	5.31	4.37	1/4	31.50
PTT-10-56-56	A	3.37	2.87	2.81	2.81	2.25	#8	3.50
PTT-10-112-56	A	3.75	3.25	3.12	3.12	2.50	#8	5.00
PTT-10-224-56	A	4.12	3.75	3.43	3.43	3.00	#10	7.70
PTT-10-336-56	A	5.25	4.25	4.37	4.37	2.87	#10	12.00
PTT-10-448-56	A	5.25	5.00	4.37	4.37	3.62	1/4	17.00
PTT-10-672-56	A	6.37	5.25	5.31	5.31	3.37	1/4	22.00
PTT-10-1400-56	A	6.37	7.12	5.31	5.31	5.12	1/4	38.00
PTT-10-68-68	A	3.37	2.93	2.81	2.81	2.37	#8	3.80
PTT-10-136-68	A	4.12	3.37	3.43	3.43	2.62	#10	6.80
PTT-10-272-68	A	4.50	4.50	3.75	3.75	3.37	#10	11.50
PTT-10-408-68	A	5.25	5.00	4.37	4.37	3.37	1/4	15.00
PTT-10-544-68	A	5.25	5.50	4.37	4.37	3.87	1/4	19.00
PTT-10-816-68	A	6.37	5.75	5.31	5.31	3.75	1/4	26.50
PTT-10-80-80	A	3.37	3.06	2.81	2.81	2.50	#8	4.00
PTT-10-160-80	A	4.12	3.37	3.43	3.43	2.62	#10	6.80
PTT-10-320-80	A	5.25	4.25	4.37	4.37	2.87	1/4	12.30
PTT-10-480-80	A	5.25	5.50	4.37	4.37	3.87	1/4	19.00
PTT-10-640-80	A	6.37	5.25	5.31	5.31	3.25	1/4	20.50
PTT-10-960-80	A	6.37	6.00	5.31	5.31	4.12	1/4	29.00

STYLE A



STYLE B



# Conventional Rectifier Power Transformer ( Dual Primary )

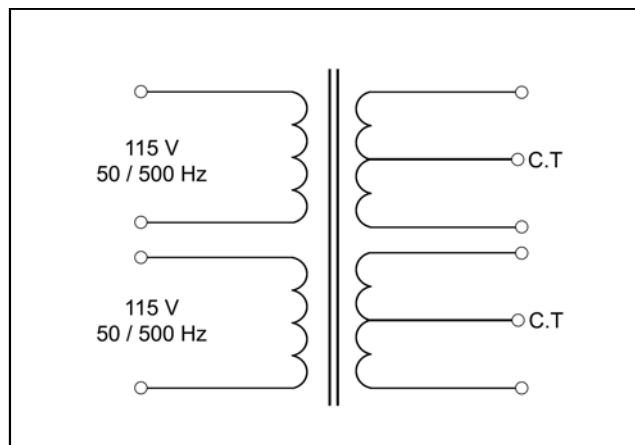
Our PTT-11 series transformer provide a wide variety of outputs .

### Product Features & Specifications

- ◆ **Power**— 10VA to 2800VA
- ◆ **Primaries**— Single, Tapped or Dual Primaries (105,115V,125V,230V, 50-500Hz )
- ◆ **Secondaries**— Center-tapped series or center-tapped parallel secondaries
- ◆ **Insulation**— Class B insulation (135°C)
- ◆ **Dielectric Strength**— 2500VRMS Hipot

### Agency Standards

- ◆ UL recognized to UL 506
- ◆ CSA compliant to C22.2 #66



## PTT-11 SERIES

Primary 50/500 Hz Single 115V	Secondary RMS Rating	
	Series	Parallel
PTT-11-10-10	10VCT @ 1A	5VCT @ 2A
PTT-11-20-10	10VCT @ 2A	5VCT @ 4A
PTT-11-40-10	10VCT @ 4A	5VCT @ 8A
PTT-11-60-10	10VCT @ 6A	5VCT @ 12A
PTT-11-80-10	10VCT @ 8A	5VCT @ 16A
PTT-11-120-10	10VCT @ 12A	5VCT @ 24A
PTT-11-250-10	10VCT @ 25A	5VCT @ 50A
PTT-11-500-10	10VCT @ 50A	5VCT @ 100A
PTT-11-1000-10	10VCT @ 100A	5VCT @ 200A
PTT-11-12-12	12.8VCT @ 1A	6.4VCT @ 2A
PTT-11-25-12	12.8VCT @ 2A	6.4VCT @ 4A
PTT-11-51-12	12.8VCT @ 4A	6.4VCT @ 8A
PTT-11-76-12	12.8VCT @ 6A	6.4VCT @ 12A
PTT-11-102-12	12.8VCT @ 8A	6.4VCT @ 16A
PTT-11-153-12	12.8VCT @ 12A	6.4VCT @ 24A
PTT-11-320-12	12.8VCT @ 25A	6.4VCT @ 50A
PTT-11-640-12	12.8VCT @ 50A	6.4VCT @ 100A
PTT-11-1280-12	12.8VCT @ 100A	6.4VCT @ 200A
PTT-11-16-16	16VCT @ 1A	8VCT @ 2A
PTT-11-32-16	16VCT @ 2A	8VCT @ 4A
PTT-11-64-16	16VCT @ 4A	8VCT @ 8A
PTT-11-96-16	16VCT @ 6A	8VCT @ 12A
PTT-11-128-16	16VCT @ 8A	8VCT @ 16A
PTT-11-192-16	16VCT @ 12A	8VCT @ 24A
PTT-11-400-16	16VCT @ 25A	8VCT @ 50A
PTT-11-800-16	16VCT @ 50A	8VCT @ 100A
PTT-11-1600-16	16VCT @ 100A	8VCT @ 200A
PTT-11-24-24	24VCT @ 1A	12VCT @ 2A
PTT-11-48-24	24VCT @ 2A	12VCT @ 4A
PTT-11-96-24	24VCT @ 4A	12VCT @ 8A
PTT-11-144-24	24VCT @ 6A	12VCT @ 12A
PTT-11-192-24	24VCT @ 8A	12VCT @ 16A
PTT-11-288-24	24VCT @ 12A	12VCT @ 24A
PTT-11-480-24	24VCT @ 20A	12VCT @ 40A
PTT-11-600-24	24VCT @ 25A	12VCT @ 50A
PTT-11-1200-24	24VCT @ 50A	12VCT @ 100A
PTT-11-2400-24	24VCT @ 100A	12VCT @ 200A

## PTT-11 SERIES

Primary 50/500 Hz Single 115V	Secondary RMS Rating	
	Series	Parallel
PTT-11-36-36	36VCT @ 1A	18VCT @ 2A
PTT-11-72-36	36VCT @ 2A	18VCT @ 4A
PTT-11-144-36	36VCT @ 4A	18VCT @ 8A
PTT-11-216-36	36VCT @ 6A	18VCT @ 12A
PTT-11-288-36	36VCT @ 8A	18VCT @ 16A
PTT-11-432-36	36VCT @ 12A	18VCT @ 24A
PTT-11-720-36	36VCT @ 20A	18VCT @ 40A
PTT-11-900-36	36VCT @ 25A	18VCT @ 50A
PTT-11-1080-36	36VCT @ 30A	18VCT @ 60A
PTT-11-1800-36	36VCT @ 50A	18VCT @ 100A
PTT-11-56-56	56VCT @ 1A	28VCT @ 2A
PTT-11-112-56	56VCT @ 2A	28VCT @ 4A
PTT-11-224-56	56VCT @ 4A	28VCT @ 8A
PTT-11-336-56	56VCT @ 6A	28VCT @ 12A
PTT-11-448-56	56VCT @ 8A	28VCT @ 16A
PTT-11-672-56	56VCT @ 12A	28VCT @ 24A
PTT-11-1400-56	56VCT @ 25A	28VCT @ 50A
PTT-11-2800-56	56VCT @ 50A	28VCT @ 100A
PTT-11-68-68	68VCT @ 1A	34VCT @ 2A
PTT-11-136-68	68VCT @ 2A	34VCT @ 4A
PTT-11-272-68	68VCT @ 4A	34VCT @ 8A
PTT-11-408-68	68VCT @ 6A	34VCT @ 12A
PTT-11-544-68	68VCT @ 8A	34VCT @ 16A
PTT-11-816-68	68VCT @ 12A	34VCT @ 24A
PTT-11-1700-68	68VCT @ 25A	34VCT @ 50A
PTT-11-80-80	80VCT @ 1A	40VCT @ 2A
PTT-11-160-80	80VCT @ 2A	40VCT @ 4A
PTT-11-320-80	80VCT @ 4A	40VCT @ 8A
PTT-11-480-80	80VCT @ 6A	40VCT @ 12A
PTT-11-640-80	80VCT @ 8A	40VCT @ 16A
PTT-11-960-80	80VCT @ 12A	40VCT @ 24A
PTT-11-2000-80	80VCT @ 25A	40VCT @ 50A

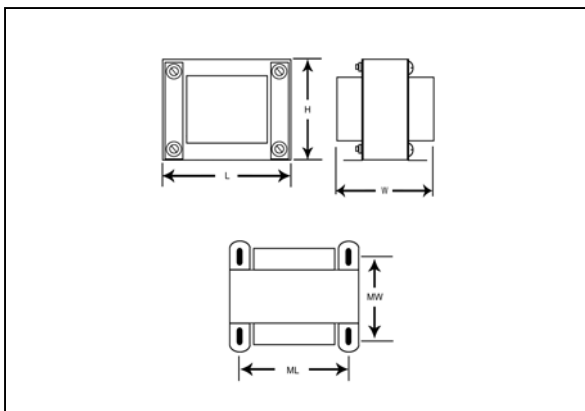
FOR MECHANICAL DIMENSIONS  
SEE NEXT PAGES

# Conventional Rectifier Power Transformer ( Single Primary )

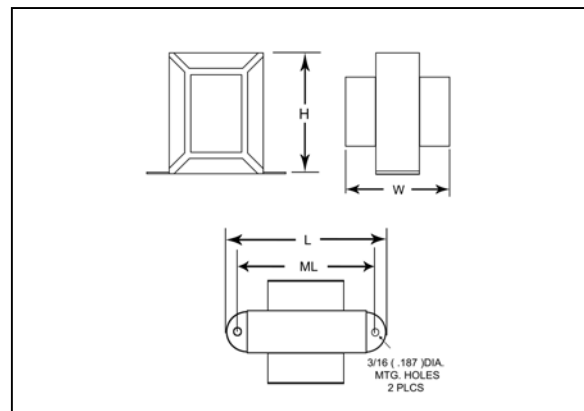
## PTT-11 SERIES

Primary 50/500 Hz Single 115V	Mtg. Style	L	W	H	ML	MW	Mtg. Screw	Wgt
PTT-11-10-10	B	2.87	1.75	2.31	2.37	-	#8	1.00
PTT-11-20-10	B	3.12	2.12	2.75	2.81	-	#8	1.50
PTT-11-40-10	B	3.56	2.37	3.06	3.12	-	#8	2.30
PTT-11-60-10	A	3.37	2.75	2.81	2.81	2.12	#8	3.30
PTT-11-80-10	A	3.37	3.12	2.81	2.81	2.50	#8	4.00
PTT-11-120-10	A	3.75	3.25	3.12	3.12	2.50	#8	5.00
PTT-11-250-10	A	4.50	3.75	3.75	3.75	2.75	#10	8.70
PTT-11-500-10	A	5.25	5.50	4.37	4.37	3.62	1/4	16.00
PTT-11-1000-10	A	6.37	7.25	5.31	5.31	4.37	1/4	34.50
PTT-11-12-12	B	2.87	2.00	2.31	2.37	-	#8	1.20
PTT-11-25-12	A	3.00	2.50	2.50	2.50	2.00	#8	2.30
PTT-11-51-12	A	3.00	2.87	2.50	2.50	2.37	#8	2.80
PTT-11-76-12	A	3.37	3.06	2.81	2.81	2.50	#8	4.00
PTT-11-102-12	A	3.75	3.12	3.12	3.12	2.25	#8	4.50
PTT-11-153-12	A	4.12	3.25	3.43	3.43	2.37	#10	6.00
PTT-11-320-12	A	5.25	4.25	4.37	4.37	2.87	#10	12.50
PTT-11-640-12	A	5.25	6.00	4.37	4.37	4.12	1/4	20.70
PTT-11-1280-12	A	6.37	7.25	5.31	5.31	4.37	1/4	34.50
PTT-11-16-16	B	2.87	2.00	2.31	2.37	-	#8	1.20
PTT-11-32-16	B	3.12	2.25	2.75	2.81	-	#8	1.70
PTT-11-64-16	A	3.37	2.75	2.81	2.81	2.12	#8	3.30
PTT-11-96-16	A	3.75	3.12	3.12	3.12	2.25	#10	4.50
PTT-11-128-16	A	3.75	3.50	3.12	3.12	2.62	#10	5.40
PTT-11-192-16	A	4.12	3.87	3.43	3.43	3.00	#10	7.90
PTT-11-400-16	A	4.50	5.37	3.75	3.75	4.00	#10	14.50
PTT-11-800-16	A	6.37	5.70	5.31	5.31	3.75	1/4	26.50
PTT-11-1600-16	A	7.50	7.50	6.37	6.75	4.62	1/4	50.00
PTT-11-24-24	A	3.00	2.50	2.50	2.50	2.00	#8	2.30
PTT-11-48-24	A	3.00	2.87	2.50	2.50	2.37	#8	2.90
PTT-11-96-24	A	3.75	3.12	3.12	3.12	2.25	#8	4.50
PTT-11-144-24	A	4.12	3.25	3.43	3.43	2.37	#10	5.80
PTT-11-192-24	A	4.12	3.87	3.43	3.43	3.00	#10	7.90
PTT-11-288-24	A	4.50	4.50	3.75	3.75	3.37	#10	11.00
PTT-11-480-24	A	5.25	4.75	4.37	4.37	3.37	#10	15.30
PTT-11-600-24	A	5.25	5.62	4.37	4.37	4.12	1/4	19.50
PTT-11-1200-24	A	6.37	6.25	5.31	5.31	4.37	1/4	31.30
PTT-11-2400-24	A	7.50	7.00	6.37	6.37	4.12	1/4	43.00

STYLE A



STYLE B

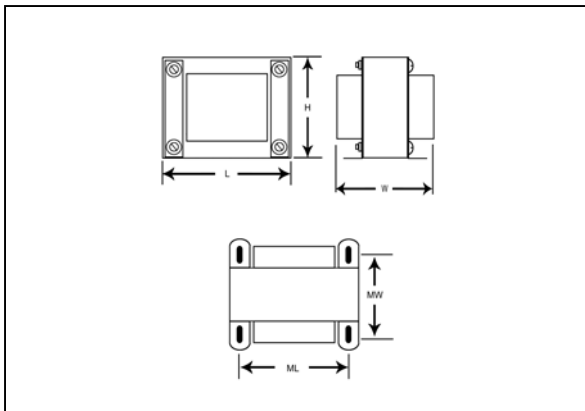


# Conventional Rectifier Power Transformer ( Single Primary )

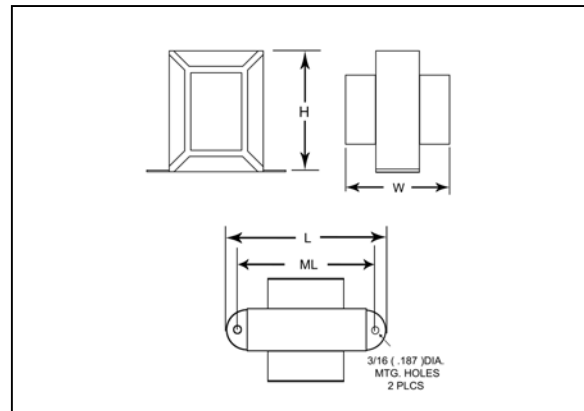
## PTT-11 SERIES

Primary 50/500 Hz Single 115V	Mtg. Style	L	W	H	ML	MW	Mtg. Screw	Wgt
PTT-11-36-36	A	3.00	2.75	2.50	2.50	2.25	#8	2.60
PTT-11-72-36	A	3.37	2.93	2.81	2.81	2.37	#8	3.80
PTT-11-144-36	A	4.12	3.37	3.43	3.43	2.62	#10	6.80
PTT-11-216-36	A	4.50	3.75	3.75	3.75	2.75	#10	8.70
PTT-11-288-36	A	4.50	4.50	3.75	3.75	3.37	#10	11.00
PTT-11-432-36	A	5.25	5.00	4.37	4.37	3.37	1/4	15.00
PTT-11-720-36	A	6.37	5.37	5.31	5.31	3.37	1/4	22.80
PTT-11-900-36	A	6.37	5.75	5.31	5.31	3.75	1/4	26.50
PTT-11-1080-36	A	6.37	6.00	5.31	5.31	4.37	1/4	31.50
PTT-11-1800-36	A	6.37	7.25	5.31	5.31	5.12	1/4	40.00
PTT-11-56-56	A	3.37	2.87	2.81	2.81	2.25	#8	3.50
PTT-11-112-56	A	3.75	3.25	3.12	3.12	2.50	#8	5.00
PTT-11-224-56	A	4.12	3.75	3.43	3.43	3.00	#10	7.70
PTT-11-336-56	A	5.25	4.25	4.37	4.37	2.87	#10	12.00
PTT-11-448-56	A	5.25	5.00	4.37	4.37	3.62	1/4	17.00
PTT-11-672-56	A	6.37	5.25	5.31	5.31	3.37	1/4	22.00
PTT-11-1400-56	A	6.37	7.12	5.31	5.31	5.12	1/4	38.00
PTT-11-2800-56	A	7.50	7.50	6.24	6.75	4.87	1/4	56.30
PTT-11-68-68	A	3.37	2.93	2.81	2.81	2.37	#8	3.80
PTT-11-136-68	A	4.12	3.37	3.43	3.43	2.62	#10	6.80
PTT-11-272-68	A	4.50	4.50	3.75	3.75	3.37	#10	11.50
PTT-11-408-68	A	5.25	5.00	4.37	4.37	3.37	1/4	15.00
PTT-11-544-68	A	5.25	5.50	4.37	4.37	3.87	1/4	19.00
PTT-11-816-68	A	6.37	5.75	5.31	5.31	3.75	1/4	26.50
PTT-11-1700-68	A	6.37	7.25	5.31	5.31	5.12	1/4	39.70
PTT-11-80-80	A	3.37	3.06	2.81	2.81	2.50	#8	4.00
PTT-11-160-80	A	4.12	3.37	3.43	3.43	2.62	#10	6.80
PTT-11-320-80	A	5.25	4.25	4.37	4.37	2.87	1/4	12.30
PTT-11-480-80	A	5.25	5.50	4.37	4.37	3.87	1/4	19.00
PTT-11-640-80	A	6.37	5.25	5.31	5.31	3.25	1/4	20.50
PTT-11-960-80	A	6.37	6.00	5.31	5.31	4.12	1/4	29.00
PTT-11-2000-80	A	7.50	6.50	6.25	6.75	3.87	1/4	40.30

STYLE A



STYLE B



# SPLIT BOBBIN WITH HIGH ISOLATION

## PTT-12 SERIES



PACIFIC TRANSFORMER CORP., 5399 E. HUNTER AVE., ANAHEIM, CA. 92807  
(714) 779-0450 • (800) 325-0501 • FAX (714) 779-0718 • [www.pactran.com](http://www.pactran.com)



# International Transformers, Printed Circuit Mount

Pacific's PTT-12 Series comes in variety of sizes. The split Bobbin and non-concentric winding provide better isolation, creepage and clearance necessary to comply with International Safety Standards.

### Product Features & Specifications

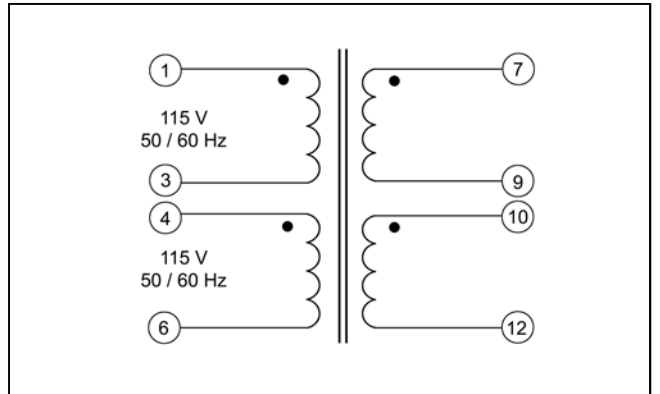
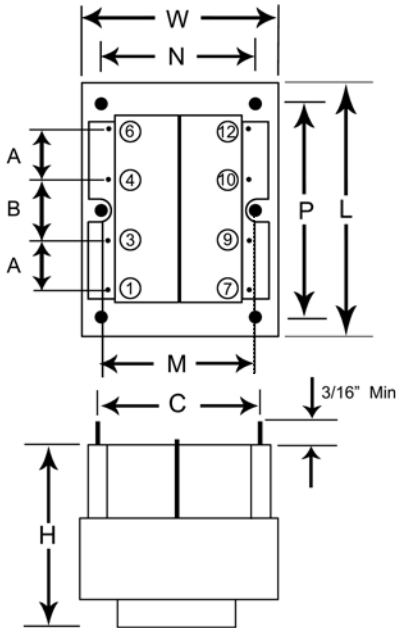
- ◆ **Power**— 20VA to 56VA
- ◆ **Primaries**— Dual primaries (115/230V- 50/60)
- ◆ **Secondaries**— Series or parallel secondaries
- ◆ **Insulation**— Class F insulation (155°C)
- ◆ **Dielectric Strength**— 4000VRMS Hipot

### Agency Standards

- ◆ UL compliant to UL 506
- ◆ CSA compliant to C22.2 #66
- ◆ VDE compliant to VDE/EN 60950
- ◆ VDE compliant to IEC 950

## PTT-12 SERIES

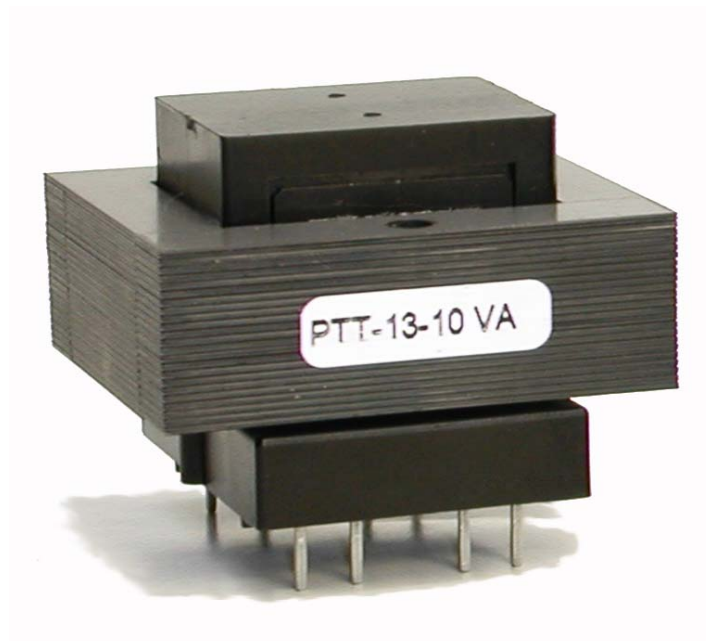
Part No.	VA (SIZE)	Secondary RMS Rating	
		Series	Parallel
PTT-12-20-10	20	10VCT@2.0A	5V@4.0A
PTT-12-20-12.6	20	12.6VCT@1.6A	6.3V@3.2A
PTT-12-20-16	20	16VCT@1.25A	8V@2.5A
PTT-12-20-20	20	20VCT@1.0A	10V@2.0A
PTT-12-20-24	20	24VCT@0.83A	12V@1.66A
PTT-12-20-28	20	28VCT@0.72A	14V@1.44A
PTT-12-20-36	20	36VCT@0.56A	18V@1.12A
PTT-12-30-10	30	10VCT@3.0A	5V@6.0A
PTT-12-30-12.6	30	12.6VCT@2.4A	6.3V@4.8A
PTT-12-30-16	30	16VCT@1.9A	8V@3.8A
PTT-12-30-20	30	20VCT@1.5A	10V@3.0A
PTT-12-30-24	30	24VCT@1.25A	12V@2.50A
PTT-12-30-28	30	28VCT@1.06A	14V@2.12A
PTT-12-30-36	30	36VCT@0.82A	18V@1.64A
PTT-12-56-10	56	10VCT@5.6A	5V@11.2A
PTT-12-56-12.6	56	12.6VCT@4.4A	6.3V@8.8A
PTT-12-56-16	56	16VCT@3.5A	8V@7.0A
PTT-12-56-20	56	20VCT@2.8A	10V@5.6A
PTT-12-56-24	56	24VCT@2.33A	12V@4.66A
PTT-12-56-28	56	28VCT@2.0A	14V@4.0A
PTT-12-56-36	56	36VCT@1.56A	18V@3.12A



VA (SIZE)	L	W	H	A	B	C	sq. Pin Dim.	Mtg. Dim.			Mtg. Screw	Wgt. (lbs.)
								M	N	P		
20	2.25	1.87	1.62	0.400	0.400	1.460	0.038	1.50	-	-	#4	0.90
30	2.62	2.18	1.56	0.550	0.275	1.680	0.045	-	1.75	2.18	#6	1.15
56	3.00	2.50	1.81	0.600	0.300	1.900	0.045	-	2.00	2.50	#6	1.70

International Standard at Lower Cost And Better Performance

## PTT-13 SERIES



PACIFIC TRANSFORMER CORP., 5399 E. HUNTER AVE., ANAHEIM, CA. 92807  
(714) 779-0450 • (800) 325-0501 • FAX (714) 779-0718 • [www.pactran.com](http://www.pactran.com)

# International Standard at Lower Cost And Better Performance

Pacific's PTT-13 Series comes in variety of sizes. The split Bobbin and non-concentric winding provide better isolation, creepage and clearance necessary to comply with International Safety Standards.

### Product Features & Specifications

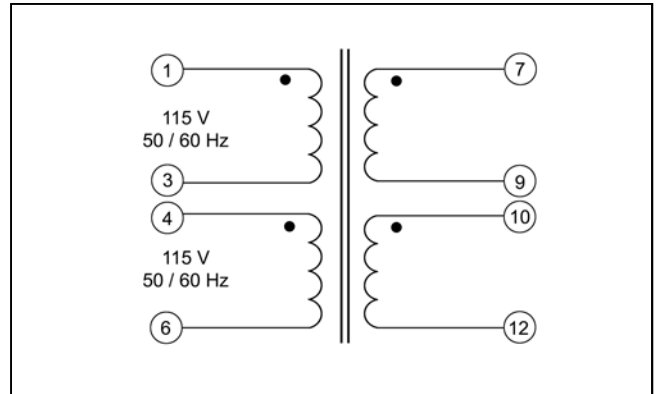
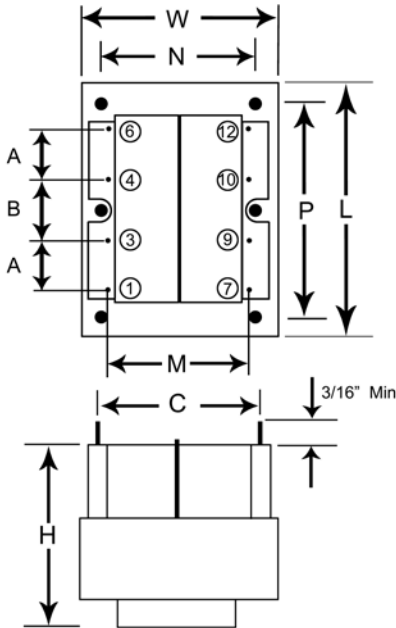
- ◆ **Power**— 2.5VA to 10VA
- ◆ **Primaries**— Dual primaries (115/230V- 50/60)
- ◆ **Secondaries**— Series or parallel secondaries
- ◆ **Insulation**— Class F insulation (155°C)
- ◆ **Dielectric Strength**— 4000VRMS Hipot

### Agency Standards

- ◆ UL compliant to UL 506
- ◆ CSA compliant to C22.2 #66
- ◆ VDE compliant to VDE/EN 60950
- ◆ VDE compliant to IEC 950

## PTT-13 SERIES

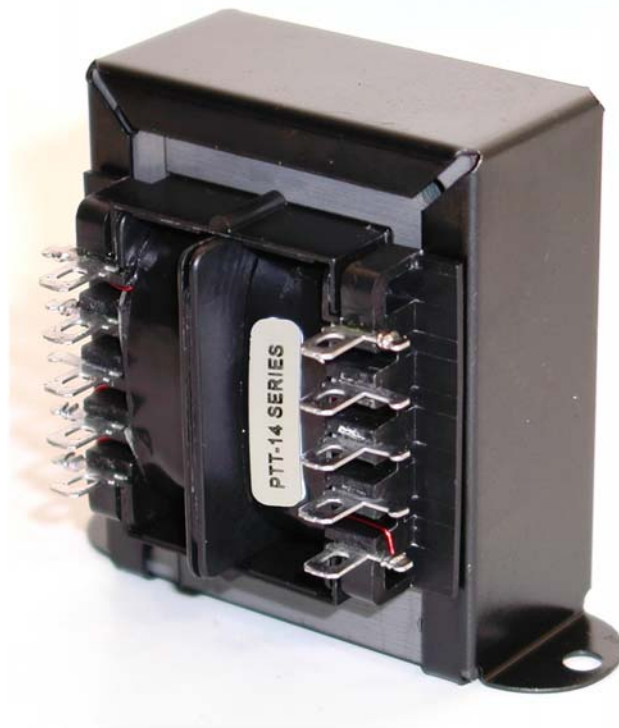
Part No.	VA (SIZE)	Secondary RMS Rating	
		Series	Parallel
PTT-13-2.5-10	2.5	10VCT@0.25A	5V@0.50A
PTT-13-2.5-12.6	2.5	12.6VCT@0.2A	6.3V@0.4A
PTT-13-2.5-16	2.5	16VCT@0.15A	8V@0.3A
PTT-13-2.5-20	2.5	20VCT@0.12A	10V@0.24A
PTT-13-2.5-24	2.5	24VCT@0.10A	12V@0.20A
PTT-13-2.5-28	2.5	28VCT@0.09A	14V@0.18A
PTT-13-2.5-36	2.5	36VCT@0.07A	18V@0.14A
PTT-13-5-10	5	10VCT@0.5A	5V@1.0A
PTT-13-5-12.6	5	12.6VCT@0.4A	6.3V@0.8A
PTT-13-5-16	5	16VCT@0.31A	8V@0.62A
PTT-13-5-20	5	20VCT@0.25A	10V@0.5A
PTT-13-5-24	5	24VCT@0.21A	12V@0.42A
PTT-13-5-28	5	28VCT@0.18A	14V@0.36A
PTT-13-5-36	5	36VCT@0.14A	18V@0.28A
PTT-13-10-10	10	10VCT@1.0A	5V@2.0A
PTT-13-10-12.6	10	12.6VCT@0.8A	6.3V@1.6A
PTT-13-10-16	10	16VCT@0.62A	8V@1.25A
PTT-13-10-20	10	20VCT@0.5A	10V@1.0A
PTT-13-10-24	10	24VCT@0.42A	12V@0.84A
PTT-13-10-28	10	28VCT@0.36A	14V@0.72A
PTT-13-10-36	10	36VCT@0.28A	18V@0.56A



VA (SIZE)	L	W	H	A	B	C	sq. Pin Dim.	Mtg. Dim.	Mtg. Screw	Wgt. (lbs.)
								M		
2.5	1.62	1.43	1.12	0.200	0.250	1.000	0.025	1.06	#4	0.25
5	1.62	1.43	1.37	0.200	0.400	1.000	0.025	1.06	#4	0.37
10	1.87	1.56	1.37	0.200	0.400	1.140	0.038	1.25	#4	0.53

INHERENTLY OR NON-INHERENTLY LIMITED ( CLASS 2 )

## PTT-14 SERIES



PACIFIC TRANSFORMER CORP., 5399 E. HUNTER AVE., ANAHEIM, CA. 92807  
(714) 779-0450 • (800) 325-0501 • FAX (714) 779-0718 • [www.pactran.com](http://www.pactran.com)

## Inherently or Non-inherently Limited ( CLASS 2 )

Pacific's PTT-14 Series are supplied as inherently or non-inherently limited units that are designed to meet UL 1585.

### Product Features & Specifications

- ◆ **Power**— 25VA to 80VA
- ◆ **Primaries**— Dual primaries (115/230V- 50/60 Hz)
- ◆ **Secondary**— Single secondary
- ◆ **Class 2 Rating**— Inherently or non-inherently limited
- ◆ **Terminals**— Solder lug/quick-connect type terminals
- ◆ **Insulation**— Class F insulation (155°C)
- ◆ **Dielectric Strength**— 4000VRMS Hipot
- ◆ **Flammability Rating**— Bobbin and shroud material meet UL 94VO

### Agency Standards

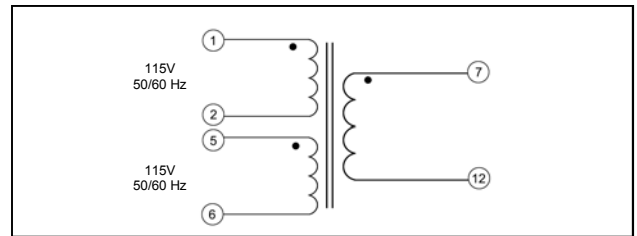
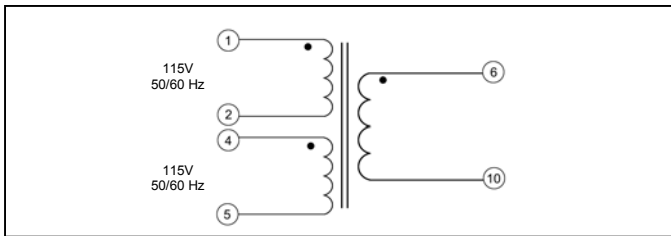
- ◆ Designed to meet UL 1585 Class 2

### PTT-14 SERIES

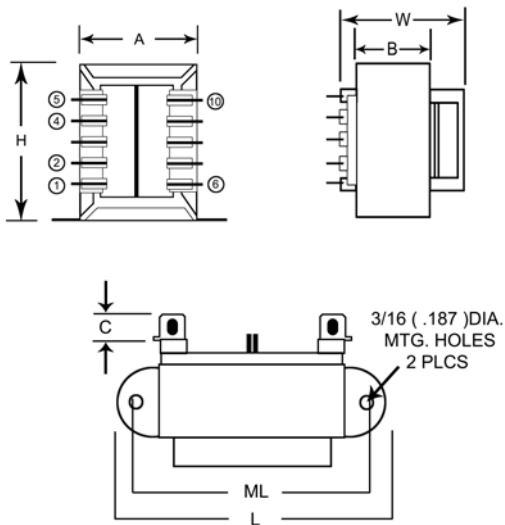
Part No.	Secondary RMS Rating	Secondary Fuse Req'd.
PTT-14-12-25	12V @ 2.10A	2.5A ▼
PTT-14-24-25	24V @ 1.05A	N/A ▼▼
PTT-14-12-40	12V @ 3.330A	4.0A ▼
PTT-14-24-40	24V @ 1.66A	2.0A ▼
PTT-14-24-80	24V @ 3.33A	4.0A ▼

▼ Non-inherently limited

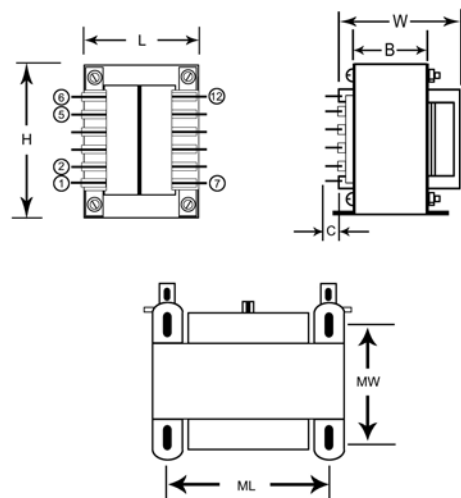
▼▼ Inherently limited



STYLE A



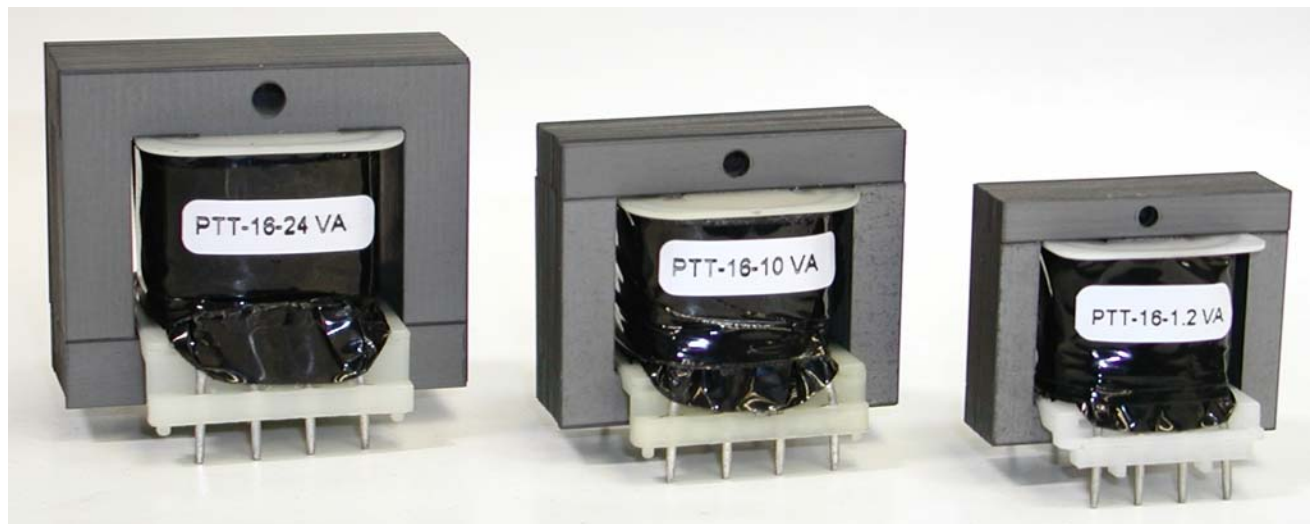
STYLE B



VA (SIZE)	L	W	H	A	B	C	Terminals	Mtg. Dim.			Mtg. Style	Wgt. (lbs.)
								Screw	ML	MW		
25	2.81	1.87	2.31	2.00	1.12	0.31	0.187	#6	2.37	-	A	1.25
40	3.12	2.06	2.68	2.25	1.12	0.31	0.187	#6	2.81	-	A	1.60
80	2.50	2.37	3.00	-	1.37	0.31	0.187	#6	2.00	2.18	B	2.80

# MINIATURE LOW POWER TRANSFORMERS

## PTT-15 , 16 SERIES



# Miniature Low Power Printed Circuit Transformers

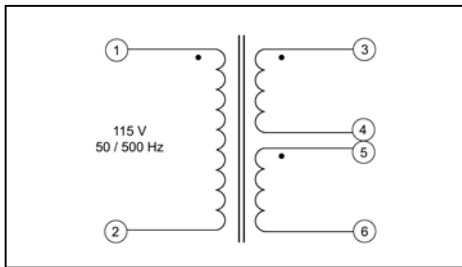
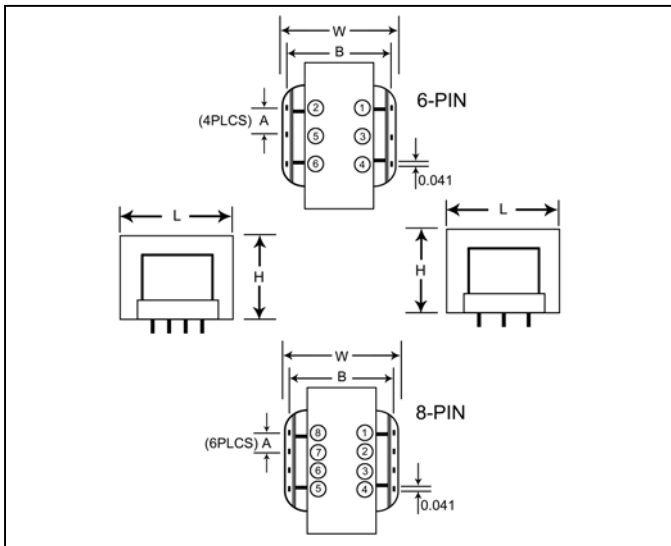
Pacific's PTT-15 series provides the high isolation and because of concentric winding can be operated up to 400 Hz without any degradation in output voltage.

## Product Features & Specifications

- ◆ **Power**— 1VA to 24VA
- ◆ **Primaries**— Single primary (115V- 50-500Hz)
- ◆ **Secondaries**— Series or parallel secondaries
- ◆ **Insulation**— Class B insulation (130°C)
- ◆ **Dielectric Strength**— 1500VRMS Hipot

## Agency Standards

- ◆ UL compliant to UL 506
- ◆ CSA compliant to C22.2 #66



VA (Size)	L	W	H	A (6Pin)	B	Wgt (oz)
1.0	1.00	1.37	0.83	0.250	1.200	2.5
1.2	1.37	1.12	1.18	0.312	1.000	3
4.4	1.62	1.22	1.37	0.400	1.100	5
10.0	1.87	1.43	1.62	0.400	1.300	9
24.0	1.62	2.25	1.37	0.400	2.130	12

## PTT-15 SERIES

Primary 50/500 Hz Single 115V (6 Pin)	VA (Size)	Secondary RMS Rating	
		Series	Parallel
PTT-15-10-1	1	10VCT @ 90mA	5V @ 180mA
PTT-15-12.6-1	1	12.6VCT @ 70mA	6.3V @ 140mA
PTT-15-16-1	1	16VCT @ 55mA	8V @ 110mA
PTT-15-20-1	1	20VCT @ 45mA	10V @ 90mA
PTT-15-24-1	1	24VCT @ 35 mA	12V @ 70mA
PTT-15-28-1	1	28VCT @ 30mA	14V @ 60mA
PTT-15-34-1	1	34VCT @ 25mA	17V @ 50mA
PTT-15-40-1	1	40VCT @ 20mA	20V @ 40mA
PTT-15-56-1	1	56VCT @ 15mA	28V @ 30mA
PTT-15-120-1	1	120VCT @ 8mA	60V @ 16mA
PTT-15-10-1.2	1.2	10VCT @ 120mA	5V @ 240mA
PTT-15-12.6-1.2	1.2	12.6VCT @ 100mA	6.3V @ 200mA
PTT-15-16-1.2	1.2	16VCT @ 75mA	8V @ 150mA
PTT-15-20-1.2	1.2	20VCT @ 60mA	10V @ 120mA
PTT-15-24-1.2	1.2	24VCT @ 50 mA	12V @ 100mA
PTT-15-28-1.2	1.2	28VCT @ 40mA	14V @ 80mA
PTT-15-34-1.2	1.2	34VCT @ 35mA	17V @ 70mA
PTT-15-40-1.2	1.2	40VCT @ 30mA	20V @ 60mA
PTT-15-56-1.2	1.2	56VCT @ 20mA	28V @ 40mA
PTT-15-120-1.2	1.2	120VCT @ 10mA	60V @ 20mA
PTT-15-10-4.4	4.4	10VCT @ 440mA	5V @ 880mA
PTT-15-12.6-4.4	4.4	12.6VCT @ 350mA	6.3V @ 700mA
PTT-15-16-4.4	4.4	16VCT @ 260mA	8V @ 520mA
PTT-15-20-4.4	4.4	20VCT @ 220mA	10V @ 440mA
PTT-15-24-4.4	4.4	24VCT @ 180 mA	12V @ 360mA
PTT-15-28-4.4	4.4	28VCT @ 160mA	14V @ 320mA
PTT-15-34-4.4	4.4	34VCT @ 125mA	17V @ 250mA
PTT-15-40-4.4	4.4	40VCT @ 110mA	20V @ 220mA
PTT-15-56-4.4	4.4	56VCT @ 80mA	28V @ 160mA
PTT-15-120-4.4	4.4	120VCT @ 35mA	60V @ 70mA
PTT-15-10-10	10	10VCT @ 1A	5V @ 2A
PTT-15-12.6-10	10	12.6VCT @ 800mA	6.3V @ 1.6A
PTT-15-16-10	10	16VCT @ 640mA	8V @ 1.28A
PTT-15-20-10	10	20VCT @ 500mA	10V @ 1.0A
PTT-15-24-10	10	24VCT @ 450 mA	12V @ 900mA
PTT-15-28-10	10	28VCT @ 360mA	14V @ 720mA
PTT-15-34-10	10	34VCT @ 300mA	17V @ 600mA
PTT-15-40-10	10	40VCT @ 250mA	20V @ 500mA
PTT-15-56-10	10	56VCT @ 180mA	28V @ 360mA
PTT-15-120-10	10	120VCT @ 85mA	60V @ 170mA
PTT-15-10-24	24	10VCT @ 2.4A	5V @ 4.8mA
PTT-15-12.6-24	24	12.6VCT @ 2A	6.3V @ 4A
PTT-15-16-24	24	16VCT @ 1.50A	8V @ 3.0A
PTT-15-20-24	24	20VCT @ 1.20A	10V @ 2.4A
PTT-15-24-24	24	24VCT @ 1.0A	12V @ 2.0A
PTT-15-28-24	24	28VCT @ 800mA	14V @ 1.6A
PTT-15-34-24	24	34VCT @ 700mA	17V @ 1.4A
PTT-15-40-24	24	40VCT @ 600mA	20V @ 1.2A
PTT-15-56-24	24	56VCT @ 420mA	28V @ 840mA
PTT-15-120-24	24	120VCT @ 200mA	60V @ 400mA

# Miniature Low Power Printed Circuit Transformers

Pacific's PTT-16 series provides the high isolation and because of concentric winding can be operated up to 400 Hz without any degradation in output voltage.

## Product Features & Specifications

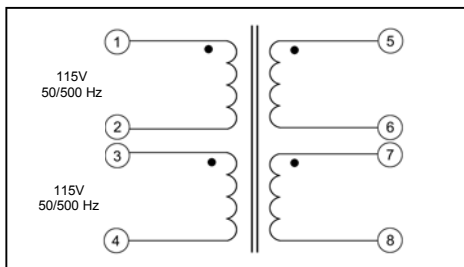
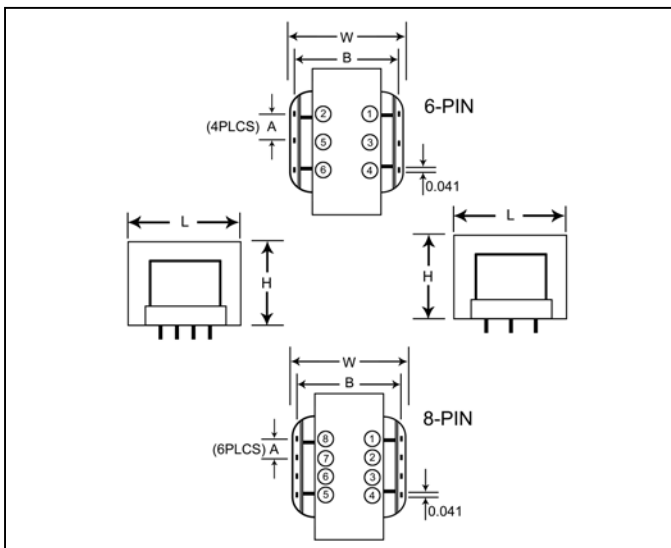
- ◆ **Power**— 1VA to 24VA
- ◆ **Primaries**— Dual primaries (115/230V- 50-500Hz )
- ◆ **Secondaries**— Series or parallel secondaries
- ◆ **Insulation**— Class B insulation (130°C)
- ◆ **Dielectric Strength**— 1500VRMS Hipot

## Agency Standards

- ◆ UL compliant to UL 506
- ◆ CSA compliant to C22.2 #66

## PTT-16 SERIES

Primary 50/500 Hz Single 115V (6 Pin)	VA (Size)	Secondary RMS Rating	
		Series	Parallel
PTT-16-10-1	1	10VCT @ 90mA	5V @ 180mA
PTT-16-12.6-1	1	12.6VCT @ 70mA	6.3V @ 140mA
PTT-16-16-1	1	16VCT @ 55mA	8V @ 110mA
PTT-16-20-1	1	20VCT @ 45mA	10V @ 90mA
PTT-16-24-1	1	24VCT @ 35 mA	12V @ 70mA
PTT-16-28-1	1	28VCT @ 30mA	14V @ 60mA
PTT-16-34-1	1	34VCT @ 25mA	17V @ 50mA
PTT-16-40-1	1	40VCT @ 20mA	20V @ 40mA
PTT-16-56-1	1	56VCT @ 15mA	28V @ 30mA
PTT-16-120-1	1	120VCT @ 8mA	60V @ 16mA
PTT-16-10-1.2	1.2	10VCT @ 120mA	5V @ 240mA
PTT-16-12.6-1.2	1.2	12.6VCT @ 100mA	6.3V @ 200mA
PTT-16-16-1.2	1.2	16VCT @ 75mA	8V @ 150mA
PTT-16-20-1.2	1.2	20VCT @ 60mA	10V @ 120mA
PTT-16-24-1.2	1.2	24VCT @ 50 mA	12V @ 100mA
PTT-16-28-1.2	1.2	28VCT @ 40mA	14V @ 80mA
PTT-16-34-1.2	1.2	34VCT @ 35mA	17V @ 70mA
PTT-16-40-1.2	1.2	40VCT @ 30mA	20V @ 60mA
PTT-16-56-1.2	1.2	56VCT @ 20mA	28V @ 40mA
PTT-16-120-1.2	1.2	120VCT @ 10mA	60V @ 20mA
PTT-16-10-4.4	4.4	10VCT @ 440mA	5V @ 880mA
PTT-16-12.6-4.4	4.4	12.6VCT @ 350mA	6.3V @ 700mA
PTT-16-16-4.4	4.4	16VCT @ 260mA	8V @ 520mA
PTT-16-20-4.4	4.4	20VCT @ 220mA	10V @ 440mA
PTT-16-24-4.4	4.4	24VCT @ 180 mA	12V @ 360mA
PTT-16-28-4.4	4.4	28VCT @ 160mA	14V @ 320mA
PTT-16-34-4.4	4.4	34VCT @ 125mA	17V @ 250mA
PTT-16-40-4.4	4.4	40VCT @ 110mA	20V @ 220mA
PTT-16-56-4.4	4.4	56VCT @ 80mA	28V @ 160mA
PTT-16-120-4.4	4.4	120VCT @ 35mA	60V @ 70mA
PTT-16-10-10	10	10VCT @ 1A	5V @ 2A
PTT-16-12.6-10	10	12.6VCT @ 800mA	6.3V @ 1.6A
PTT-16-16-10	10	16VCT @ 640mA	8V @ 1.28A
PTT-16-20-10	10	20VCT @ 500mA	10V @ 1.0A
PTT-16-24-10	10	24VCT @ 450 mA	12V @ 900mA
PTT-16-28-10	10	28VCT @ 360mA	14V @ 720mA
PTT-16-34-10	10	34VCT @ 300mA	17V @ 600mA
PTT-16-40-10	10	40VCT @ 250mA	20V @ 500mA
PTT-16-56-10	10	56VCT @ 180mA	28V @ 360mA
PTT-16-120-10	10	120VCT @ 85mA	60V @ 170mA
PTT-16-10-24	24	10VCT @ 2.4A	5V @ 4.8mA
PTT-16-12.6-24	24	12.6VCT @ 2A	6.3V @ 4A
PTT-16-16-24	24	16VCT @ 1.50A	8V @ 3.0A
PTT-16-20-24	24	20VCT @ 1.20A	10V @ 2.4A
PTT-16-24-24	24	24VCT @ 1.0A	12V @ 2.0A
PTT-16-28-24	24	28VCT @ 800mA	14V @ 1.6A
PTT-16-34-24	24	34VCT @ 700mA	17V @ 1.4A
PTT-16-40-24	24	40VCT @ 600mA	20V @ 1.2A
PTT-16-56-24	24	56VCT @ 420mA	28V @ 840mA
PTT-16-120-24	24	120VCT @ 200mA	60V @ 400mA



VA (Size)	L	W	H	A (8Pin)	B	Wgt (oz)
1.0	1.00	1.37	0.83	0.200	1.200	2.5
1.2	1.37	1.12	1.18	0.200	1.000	3
4.4	1.62	1.22	1.37	0.250	1.100	5
10.0	1.87	1.43	1.62	0.250	1.300	9
24.0	1.62	2.25	1.37	0.250	2.130	12



PRINTED CIRCUIT MOUNT-SPLIT BOBBIN WITH HIGH ISOLATION

## PTT-17 , 18 SERIES



PACIFIC TRANSFORMER CORP., 5399 E. HUNTER AVE., ANAHEIM, CA. 92807  
(714) 779-0450 • (800) 325-0501 • FAX (714) 779-0718 • www.pactran.com

# Printed Circuit Mount - Split Bobbin With High Isolation

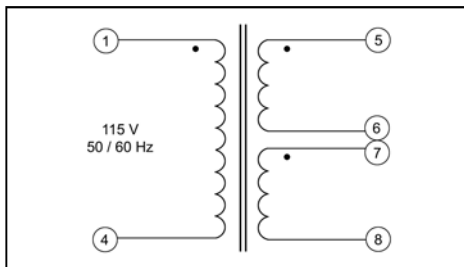
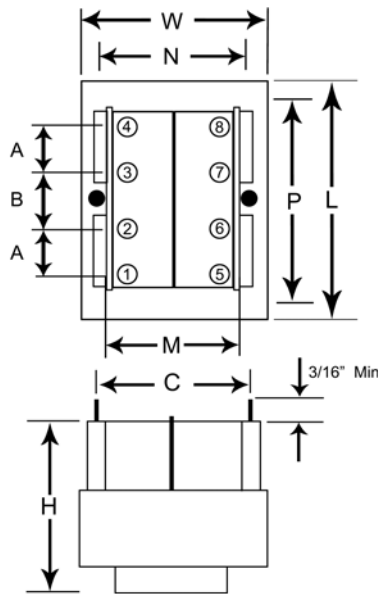
Pacific's PTT-17 Series are available in a variety of sizes. Passes 2500VRMS Hipot. Also heavier transformers are provided with mounting holes for additional mounting security.

## Product Features & Specifications

- ◆ **Power**— 1.1VA to 36VA
- ◆ **Primaries**— Single primary (115V - 50/60 Hz)
- ◆ **Secondaries**— Series or parallel secondaries
- ◆ **Insulation**— Class B insulation (130°C)
- ◆ **Dielectric Strength**— 2500VRMS Hipot

## Agency Standards

- ◆ ETL Listed, Compliant to UL 506 and CSA C22.2 #66 File# 3072455.



VA (Size)	L	W	H	ML	A	B	C	Wgt (oz)
1.1	1.37	1.12	0.93	-	0.250	0.250	1.200	0.17
2.4	1.37	1.12	1.18	-	0.250	0.250	1.200	0.25
6.0	1.62	1.31	1.31	1.06	0.250	0.350	1.280	0.44
12.0	1.87	1.56	1.43	1.25	0.300	0.400	1.410	0.70
20.0	2.25	1.87	1.43	1.5	0.300	0.400	1.600	0.80
36.0	2.62	2.18	1.56	-	0.400	0.400	1.850	1.1

## PTT-17 SERIES

PART NUMBER Single 115V (6 Pin)	VA (Size)	Secondary RMS Rating	
		Series	Parallel
PTT-17-10-1.1	1.1	10VCT @ 0.11A	5V @ 0.22A
PTT-17-12.6-1.1	1.1	12.6VCT @ 0.09A	6.3V @ 0.18A
PTT-17-16-1.1	1.1	16VCT @ 0.07A	8V @ 0.14A
PTT-17-20-1.1	1.1	20VCT @ 0.055A	10V @ 0.11A
PTT-17-24-1.1	1.1	24VCT @ 0.045A	12V @ 0.09A
PTT-17-28-1.1	1.1	28VCT @ 0.04A	14V @ 0.08A
PTT-17-36-1.1	1.1	36VCT @ 0.03A	18V @ 0.06A
PTT-17-48-1.1	1.1	48VCT @ 0.023A	24V @ 0.046A
PTT-17-56-1.1	1.1	56VCT @ 0.02A	28V @ 0.04A
PTT-17-120-1.1	1.1	120VCT @ 0.01A	60V @ 0.02A
PTT-17-10-2.4	2.4	10VCT @ 0.25A	5V @ 0.5A
PTT-17-12.6-2.4	2.4	12.6VCT @ 0.2A	6.3V @ 0.4A
PTT-17-16-2.4	2.4	16VCT @ 0.15A	8V @ 0.3A
PTT-17-20-2.4	2.4	20VCT @ 0.12A	10V @ 0.24A
PTT-17-24-2.4	2.4	24VCT @ 0.1A	12V @ 0.2A
PTT-17-28-2.4	2.4	28VCT @ 0.085A	14V @ 0.17A
PTT-17-36-2.4	2.4	36VCT @ 0.065A	18V @ 0.13A
PTT-17-48-2.4	2.4	48VCT @ 0.05A	24V @ 0.1A
PTT-17-56-2.4	2.4	56VCT @ 0.045A	28V @ 0.09A
PTT-17-120-2.4	2.4	120VCT @ 0.02A	60V @ 0.04A
PTT-17-10-6	6	10VCT @ 0.6A	5V @ 1.2A
PTT-17-12.6-6	6	12.6VCT @ 0.5A	6.3V @ 1.0A
PTT-17-16-6	6	16VCT @ 0.4A	8V @ 0.8A
PTT-17-20-6	6	20VCT @ 0.3A	10V @ 0.6A
PTT-17-24-6	6	24VCT @ 0.25A	12V @ 0.5A
PTT-17-28-6	6	28VCT @ 0.2A	14V @ 0.4A
PTT-17-36-6	6	36VCT @ 0.17A	18V @ 0.34A
PTT-17-48-6	6	48VCT @ 0.125A	24V @ 0.25A
PTT-17-56-6	6	56VCT @ 0.11A	28V @ 0.22A
PTT-17-120-6	6	120VCT @ 0.05A	60V @ 0.1A
PTT-17-10-12	12	10VCT @ 1.2A	5V @ 2.4A
PTT-17-12.6-12	12	12.6VCT @ 1.0A	6.3V @ 2.0A
PTT-17-16-12	12	16VCT @ 0.8A	8V @ 1.6A
PTT-17-20-12	12	20VCT @ 0.6A	10V @ 1.2A
PTT-17-24-12	12	24VCT @ 0.5A	12V @ 1.0A
PTT-17-28-12	12	28VCT @ 0.42A	14V @ 0.84A
PTT-17-36-12	12	36VCT @ 0.35A	18V @ 0.7A
PTT-17-48-12	12	48VCT @ 0.25A	24V @ 0.5A
PTT-17-56-12	12	56VCT @ 0.22A	28V @ 0.44A
PTT-17-120-12	12	120VCT @ 0.1A	60V @ 0.2A
PTT-17-10-20	20	10VCT @ 2.0A	5V @ 4.0A
PTT-17-12.6-20	20	12.6VCT @ 1.6A	6.3V @ 3.2A
PTT-17-16-20	20	16VCT @ 1.25A	8V @ 2.5A
PTT-17-20-20	20	20VCT @ 1.0A	10V @ 2.0A
PTT-17-24-20	20	24VCT @ 0.8A	12V @ 1.6A
PTT-17-28-20	20	28VCT @ 0.7A	14V @ 1.4A
PTT-17-36-20	20	36VCT @ 0.55A	18V @ 1.1A
PTT-17-48-20	20	48VCT @ 0.4A	24V @ 0.8A
PTT-17-56-20	20	56VCT @ 0.35A	28V @ 0.7A
PTT-17-120-20	20	120VCT @ 0.16A	60V @ 0.32A
PTT-17-10-36	36	10VCT @ 3.6A	5V @ 7.2A
PTT-17-12.6-36	36	12.6VCT @ 2.85A	6.3V @ 5.7A
PTT-17-16-36	36	16VCT @ 2.25A	8V @ 4.5A
PTT-17-20-36	36	20VCT @ 1.8A	10V @ 3.6A
PTT-17-24-36	36	24VCT @ 1.5A	12V @ 3.0A
PTT-17-28-36	36	28VCT @ 1.3A	14V @ 2.6A
PTT-17-36-36	36	36VCT @ 1.0A	18V @ 2.0A
PTT-17-48-36	36	48VCT @ 0.75A	24V @ 1.5A
PTT-17-56-36	36	56VCT @ 0.65A	28V @ 1.3A
PTT-17-120-36	36	120VCT @ 0.3A	60V @ 0.6A

# Printed Circuit Mount - Split Bobbin With High Isolation

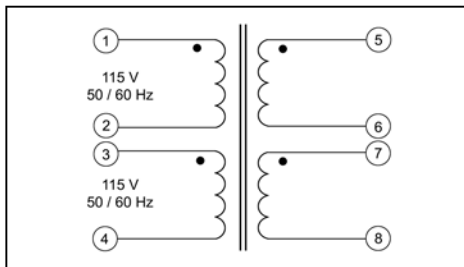
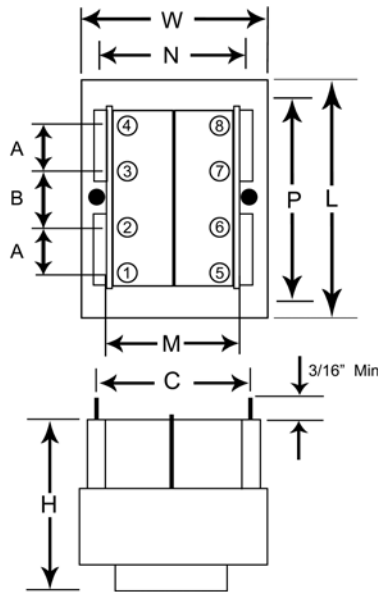
Pacific's PTT-17 Series are available in a variety of sizes. Passes 2500VRMS Hipot. Also heavier transformers are provided with mounting holes for additional mounting security.

## Product Features & Specifications

- ◆ **Power**— 1.1VA to 36VA
- ◆ **Primaries**— Dual primaries (115/230V - 50/60 Hz)
- ◆ **Secondaries**— Series or parallel secondaries
- ◆ **Insulation**— Class B insulation (130°C)
- ◆ **Dielectric Strength**— 2500VRMS Hipot

## Agency Standards

- ◆ ETL Listed, Compliant to UL 506 and CSA C22.2 #66 File# 3072455.



VA (Size)	L	W	H	ML	A	B	C	Wgt (oz)
1.1	1.37	1.12	0.93	-	0.250	0.250	1.200	0.17
2.4	1.37	1.12	1.18	-	0.250	0.250	1.200	0.25
6.0	1.62	1.31	1.31	1.06	0.250	0.350	1.280	0.44
12.0	1.87	1.56	1.43	1.25	0.300	0.400	1.410	0.70
20.0	2.25	1.87	1.43	1.5	0.300	0.400	1.600	0.80
36.0	2.62	2.18	1.56	-	0.400	0.400	1.850	1.1

## PTT-18 SERIES

PART NUMBER Dual 115V (8 Pin)	VA (Size)	Secondary RMS Rating	
		Series	Parallel
PTT-18-10-1.1	1.1	10VCT @ 0.11A	5V @ 0.22A
PTT-18-12.6-1.1	1.1	12.6VCT @ 0.09A	6.3V @ 0.18A
PTT-18-16-1.1	1.1	16VCT @ 0.07A	8V @ 0.14A
PTT-18-20-1.1	1.1	20VCT @ 0.055A	10V @ 0.11A
PTT-18-24-1.1	1.1	24VCT @ 0.045A	12V @ 0.09A
PTT-18-28-1.1	1.1	28VCT @ 0.04A	14V @ 0.08A
PTT-18-36-1.1	1.1	36VCT @ 0.03A	18V @ 0.06A
PTT-18-48-1.1	1.1	48VCT @ 0.023A	24V @ 0.046A
PTT-18-56-1.1	1.1	56VCT @ 0.02A	28V @ 0.04A
PTT-18-120-1.1	1.1	120VCT @ 0.01A	60V @ 0.02A
PTT-18-10-2.4	2.4	10VCT @ 0.25A	5V @ 0.5A
PTT-18-12.6-2.4	2.4	12.6VCT @ 0.2A	6.3V @ 0.4A
PTT-18-16-2.4	2.4	16VCT @ 0.15A	8V @ 0.3A
PTT-18-20-2.4	2.4	20VCT @ 0.12A	10V @ 0.24A
PTT-18-24-2.4	2.4	24VCT @ 0.1A	12V @ 0.2A
PTT-18-28-2.4	2.4	28VCT @ 0.085A	14V @ 0.17A
PTT-18-36-2.4	2.4	36VCT @ 0.065A	18V @ 0.13A
PTT-18-48-2.4	2.4	48VCT @ 0.05A	24V @ 0.1A
PTT-18-56-2.4	2.4	56VCT @ 0.045A	28V @ 0.09A
PTT-18-120-2.4	2.4	120VCT @ 0.02A	60V @ 0.04A
PTT-18-10-6	6	10VCT @ 0.6A	5V @ 1.2A
PTT-18-12.6-6	6	12.6VCT @ 0.5A	6.3V @ 1.0A
PTT-18-16-6	6	16VCT @ 0.4A	8V @ 0.8A
PTT-18-20-6	6	20VCT @ 0.3A	10V @ 0.6A
PTT-18-24-6	6	24VCT @ 0.25A	12V @ 0.5A
PTT-18-28-6	6	28VCT @ 0.2A	14V @ 0.4A
PTT-18-36-6	6	36VCT @ 0.17A	18V @ 0.34A
PTT-18-48-6	6	48VCT @ 0.125A	24V @ 0.25A
PTT-18-56-6	6	56VCT @ 0.11A	28V @ 0.22A
PTT-18-120-6	6	120VCT @ 0.05A	60V @ 0.1A
PTT-18-10-12	12	10VCT @ 1.2A	5V @ 2.4A
PTT-18-12.6-12	12	12.6VCT @ 1.0A	6.3V @ 2.0A
PTT-18-16-12	12	16VCT @ 0.8A	8V @ 1.6A
PTT-18-20-12	12	20VCT @ 0.6A	10V @ 1.2A
PTT-18-24-12	12	24VCT @ 0.5A	12V @ 1.0A
PTT-18-28-12	12	28VCT @ 0.42A	14V @ 0.84A
PTT-18-36-12	12	36VCT @ 0.35A	18V @ 0.7A
PTT-18-48-12	12	48VCT @ 0.25A	24V @ 0.5A
PTT-18-56-12	12	56VCT @ 0.22A	28V @ 0.44A
PTT-18-120-12	12	120VCT @ 0.1A	60V @ 0.2A
PTT-18-10-20	20	10VCT @ 2.0A	5V @ 4.0A
PTT-18-12.6-20	20	12.6VCT @ 1.6A	6.3V @ 3.2A
PTT-18-16-20	20	16VCT @ 1.25A	8V @ 2.5A
PTT-18-20-20	20	20VCT @ 1.0A	10V @ 2.0A
PTT-18-24-20	20	24VCT @ 0.8A	12V @ 1.6A
PTT-18-28-20	20	28VCT @ 0.7A	14V @ 1.4A
PTT-18-36-20	20	36VCT @ 0.55A	18V @ 1.1A
PTT-18-48-20	20	48VCT @ 0.4A	24V @ 0.8A
PTT-18-56-20	20	56VCT @ 0.35A	28V @ 0.7A
PTT-18-120-20	20	120VCT @ 0.16A	60V @ 0.32A
PTT-18-10-36	36	10VCT @ 3.6A	5V @ 7.2A
PTT-18-12.6-36	36	12.6VCT @ 2.85A	6.3V @ 5.7A
PTT-18-16-36	36	16VCT @ 2.25A	8V @ 4.5A
PTT-18-20-36	36	20VCT @ 1.8A	10V @ 3.6A
PTT-18-24-36	36	24VCT @ 1.5A	12V @ 3.0A
PTT-18-28-36	36	28VCT @ 1.3A	14V @ 2.6A
PTT-18-36-36	36	36VCT @ 1.0A	18V @ 2.0A
PTT-18-48-36	36	48VCT @ 0.75A	24V @ 1.5A
PTT-18-56-36	36	56VCT @ 0.65A	28V @ 1.3A
PTT-18-120-36	36	120VCT @ 0.3A	60V @ 0.6A

## STEP DOWN AUTO TRANSFORMERS

### PTT-19 SERIES



PACIFIC TRANSFORMER CORP., 5399 E. HUNTER AVE., ANAHEIM, CA. 92807  
(714) 779-0450 • (800) 325-0501 • FAX (714) 779-0718 • [www.pactran.com](http://www.pactran.com)

# Step Down Auto Transformer ( Chassis Mount )

Pacific's PTT-19 Series Auto-Transformers provide stepping down capability to achieve the worldwide applications.

### Product Features & Specifications

- **Power**— 100VA to 2000VA
- **Voltage**— 230V to 115V or 115V to 230V - 50/60
- **Insulation**— Class B insulation (130°C)

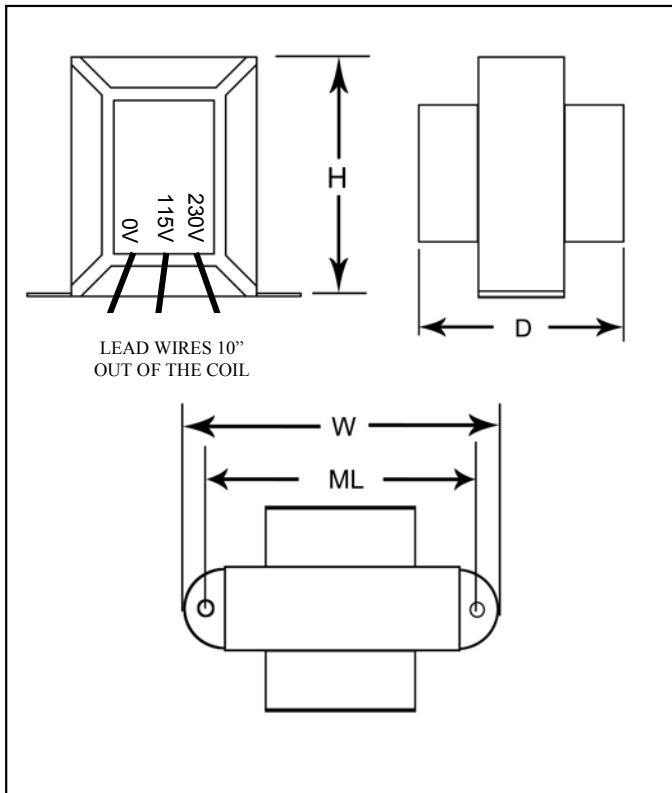
### Agency Standards

- UL compliant to UL 506
- CSA compliant to C22.2 #66

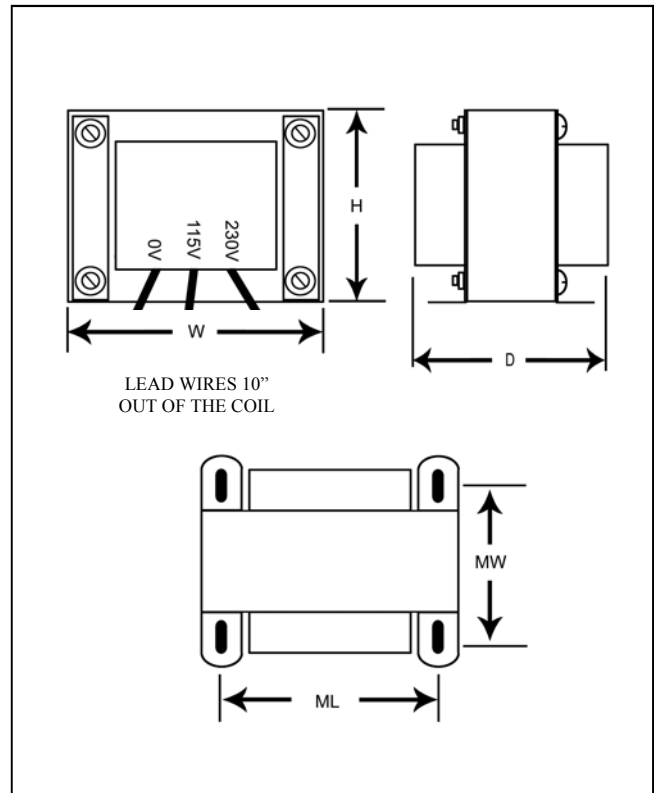
## PTT-19 SERIES

PART NUMBER	VA ( Size )	Style	W	D	H	ML	MW	Wgh
PTT-19 -100	100	A	2.25"	2.10"	1.93"	2.81"	2.81"	1.3 Lbs.
PTT-19 -120	120	B	3.37"	2.50"	2.87"	2.81"	1.87"	2.5 Lbs.
PTT-19 -150	150	B	3.37"	2.75"	2.87"	2.81"	2.12"	3.0 Lbs.
PTT-19 -200	200	B	3.37"	2.87"	2.87"	2.81"	2.25"	3.5 Lbs.
PTT-19 -250	250	B	3.37"	3.25"	2.87"	2.81"	2.62"	4.2 Lbs.
PTT-19 -300	300	B	3.75"	3.25"	3.12"	3.12"	2.50"	5.0 Lbs.
PTT-19 -500	500	B	3.75"	4.25"	3.12"	3.12"	3.50"	8.0 Lbs.
PTT-19 -750	750	B	3.75"	5.25"	3.12"	3.12"	4.50"	11 Lbs.
PTT-19 -1000	1000	B	5.25"	4.50"	4.37"	4.37"	3.12"	14 Lbs.
PTT-19 -1500	1500	B	5.25"	5.50"	4.37"	4.37"	4.12"	19 Lbs.
PTT-19 -2000	2000	B	5.25"	6.50"	4.37"	4.37"	5.12"	25 Lbs.

STYLE A

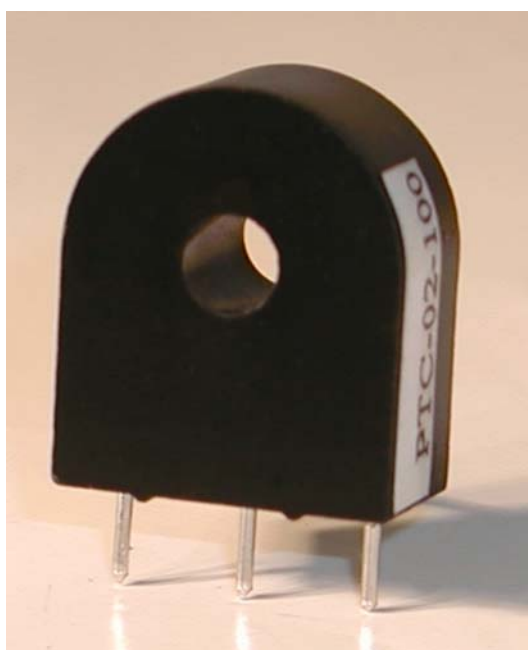
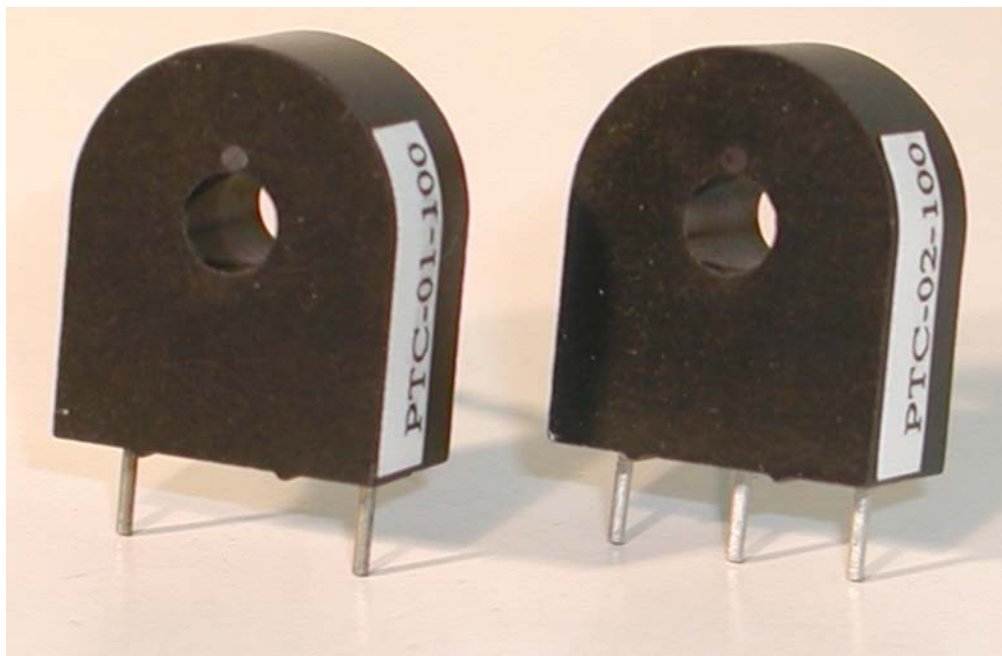


STYLE B



# CURRENT SENSOR TRANSFORMERS

## PTC-01 , 02 SERIES

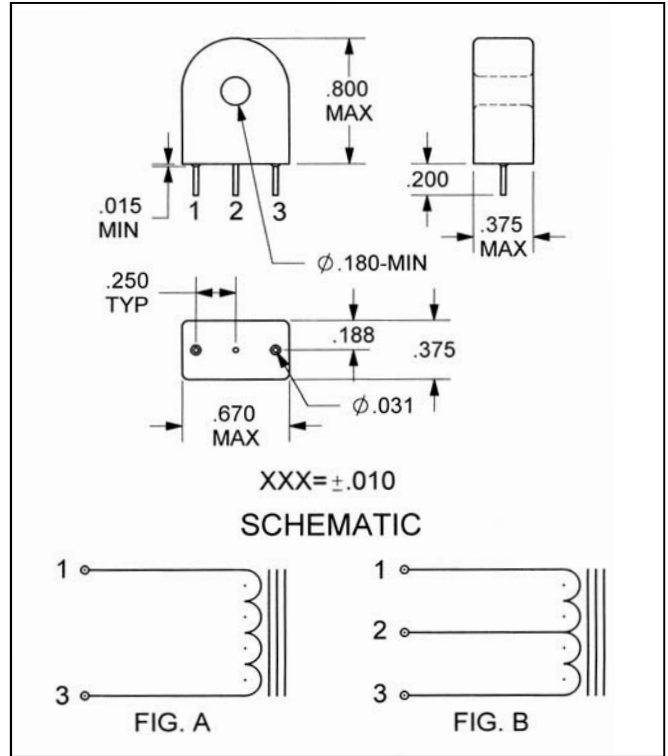


PACIFIC TRANSFORMER CORP., 5399 E. HUNTER AVE., ANAHEIM, CA. 92807  
(714) 779-0450 • (800) 325-0501 • FAX (714) 779-0718 • [www.pactran.com](http://www.pactran.com)

# CURRENT SENSOR TRANSFORMERS

## FEATURES:

- Maximum ratings specified with rated secondary terminating resistance and one turn primary.
- Amp-micro second ( $A\mu\text{Sec.}$ ) rating of primary equals volt-microsecond ( $V\mu\text{Sec.}$ ) rating of secondary when secondary is terminated in rated resistance. (Amp-microseconds is equal to the product of a square pulse of current in amps times the current pulse width in micro seconds).
- Maximum operating temperature: 105 degree C.
- When terminated with rated terminating resistance the inductor scale factor is  $V \text{ out} = 1 \text{ volt per amp}$  for center tapped units terminating resistance for each half of winding is listed value divided by 2.
- Secondary is fully isolated to  $> 2500 \text{ V.}$
- Useful operation to  $> 100 \text{ KHZ.}$
- Not suitable for measurement of DC current. Current waveform must be free of any DC component.



## PTC-01-100

Part Number	Secondary Turns	Secondary Inductance MHY (min.)	Secondary DCR OHMS (max.)	Secondary Rated Terminating Resistance OHMS (Nominal)	1 Turn Primary Peak Sense Current (Amps)	Secondary Inductance Test Voltage 10 KHz	Primary Unipolar Amp m Sec. Rating (max.)	Primary Bipolar Amp m Sec. Rating (max.)	Schematic Figure
PTC-01-105	50.0	5.0	0.7	50.0	20.0	0.5	150.0	300.0	A
PTC-01-110	100.0	20.0	1.4	100.0	20.0	1.0	300.0	600.0	A
PTC-01-115	200.0	80.0	4.5	200.0	20.0	2.0	600.0	1200.0	A
PTC-01-120	300.0	180.0	11.0	300.0	20.0	3.0	900.0	1800.0	A

## PTC-02-100

Part Number	Secondary Turns	Secondary Inductance MHY (min.)	Secondary DCR OHMS (max.)	Secondary Rated Terminating Resistance OHMS (Nominal)	1 Turn Primary Peak Sense Current (Amps)	Secondary Inductance Test Voltage 10 KHz	Primary Unipolar Amp m Sec. Rating (max.)	Primary Bipolar Amp m Sec. Rating (max.)	Schematic Figure
PTC-02-105	25 + 25	5.0	0.7	25/side	20.0	0.5	150.0	300.0	B
PTC-02-110	50 + 50	20.0	1.4	50/side	20.0	1.0	300.0	600.0	B
PTC-02-115	100 + 100	80.0	4.5	100/side	20.0	2.0	600.0	1200.0	B
PTC-02-120	150 + 150	180.0	11.0	150/side	20.0	3.0	900.0	1800.0	B