

TABLE 1: ELECTRICAL SPECIFICATIONS AT 25°C

PARAMETER	SPEC LIMITS			UNITS
	MIN.	TYP.	MAX.	
TURNS RATIO'S: FREQUENCY: 10 KHZ VOLTAGE: 1.0 VRMS (1-3) : (4-8)	-----	1 : 2.5	-----	± 3%
DC RESISTANCE 1-3 4-8	----- -----	----- -----	1.5 3.0	Ω Ω
IMPEDANCE: 4-8 FREQUENCY: 75 KHZ TO 249 KHZ FREQUENCY: 250 KHZ TO 1 MHZ	3000 4000	----- -----	----- -----	Ω Ω
COMMON MODE REJECTION	45	-----	-----	dB
HI-POT: BETWEEN 1 AND 4	100	-----	-----	VRMS
INSULATION RESISTANCE 250Vdc BETWEEN 1 AND 4	1000	-----	-----	MΩ

NOTE 1:
DESIGNED TO MEET MIL-STD-1553A/B AND MIL-PRF-21038.

FIGURE 1: SCHEMATIC DIAGRAM

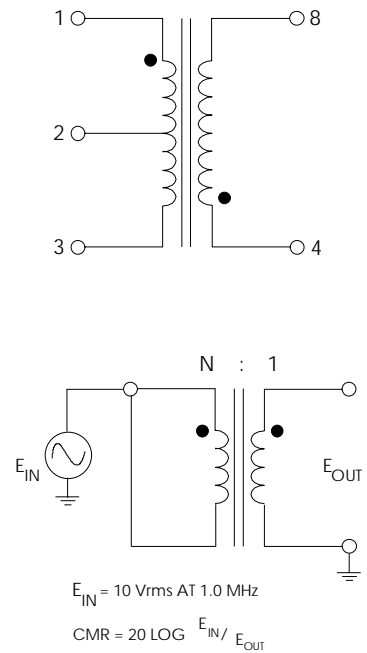
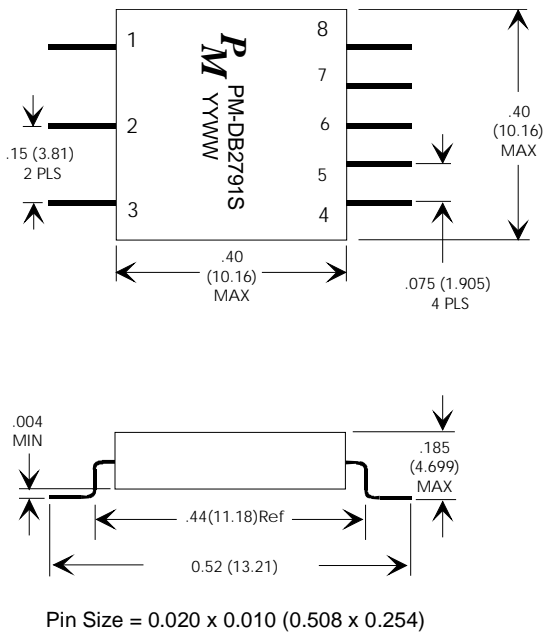


FIGURE 2: PHYSICAL DIMENSIONS IN INCHES (mm)



RoHS

REV.	DESCRIPTION OF CHANGES	BY
06/27/08	UPDATE RELEASE, ADD TABLE 2, GENERAL SPECIFICATION	PP



UNLESS OTHERWISE SPECIFIED
 DIMENSIONS ARE IN INCHES
 DIMENSIONAL TOLERANCES ARE:
 DECIMALS ANGLES
 .XX + .04 + 0° 30'
 .XXX + .020
 DO NOT SCALE DRAWING

TRANSFORMER CONTROL DRAWING	
PREMIER P/N: PM-DB2791S	REVISION: 06/27/08
ENGR: PETER PHAM	REF: 21038/27
SCALE: NONE	SHEET: 1 OF 2

TABLE 2: GENERAL SPECIFICATIONS

PARAMETER	VALUE	UNIT	REMARKS
Case			Flame Resistant, Diallyl Phthalate
Weight	gm	1.5 Max	
Terminals			Solderable, meet RoHS
Terminal Strength	lbs	2	2 pounds applied force, Mil-Std-202, Method 211, Condition A
Dielectric Withstanding Voltage	Vrms	100	Mil-Std-202, Method 301
Insulation Resistance	MΩ	1,000	Mil-Std-202, Method 302, Condition B, At 250Vdc
Life (Expectancy "X")	Hrs	10,000 Min	Mil-Prf-21038
Pulse Width	μS	2	Mil-Prf-21038, Figure 3 & 4
Overshoot & Ringing	V	± 1 Max	Mil-Prf-21038, Figure 3 & 4
Droop	%	20%Max	Mil-Prf-21038, Figure 3 & 4
Rise Time	ns	250 Max	Mil-Prf-21038, Figure 3 & 4
Common Mode Rejection	dB	45	Mil-Prf-21038, Figure 2
Operation Temperature	°C	-55°C to +130°C	
Turns Ratio			See Table 1
DC Resistance			See Table 1
Impedance			See Table 1



UNLESS OTHERWISE SPECIFIED
 DIMENSIONS ARE IN INCHES
 DIMENSIONAL TOLERANCES ARE:
 DECIMALS ANGLES
 .XX + .04 + 0° 30'
 .XXX + .020
 DO NOT SCALE DRAWING

TRANSFORMER CONTROL DRAWING

PREMIER P/N: PM-DB2791S	REVISION: 06/27/08
ENGR: PETER PHAM	REF: 21038/27
SCALE: NONE	SHEET: 2 OF 2