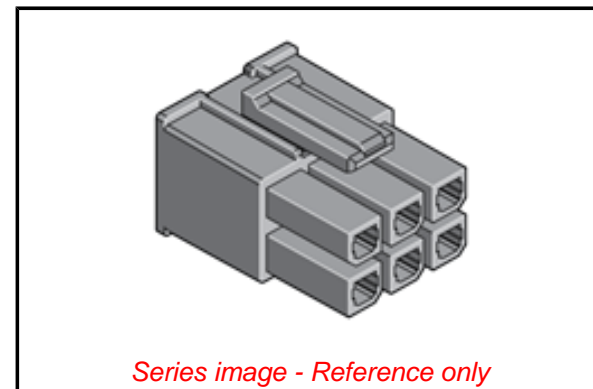


**PLEASE CHECK WWW.MOLEX.COM FOR LATEST PART INFORMATION**

**Part Number:** [1700010102](#)  
**Status:** **Active**  
**Overview:** [Mega-Fit® Power Connectors](#)  
**Description:** [Mega-Fit® Receptacle Housing, Dual Row, 2 Circuit, Glow Wire Capable, Bag](#)

**Documents:**

<a href="#">3D Model</a>	<a href="#">Packaging Specification PK-172323-0001 (PDF)</a>
<a href="#">Drawing (PDF)</a>	<a href="#">Packaging Specification PK-172323-0002 (PDF)</a>
<a href="#">Product Specification PS-76823-100 (PDF)</a>	<a href="#">Packaging Specification PK-172323-0003 (PDF)</a>
<a href="#">Application Specification AS-76823-100 (PDF)</a>	<a href="#">RoHS Certificate of Compliance (PDF)</a>
<a href="#">Packaging Specification PK-170001-001 (PDF)</a>	



**Agency Certification**

CSA	LR19980
UL	E29179

**General**

Product Family	Crimp Housings
Series	<a href="#">170001</a>
Application	Power, Wire-to-Board, Wire-to-Wire
Overview	<a href="#">Mega-Fit® Power Connectors</a>
Product Name	Mega-Fit®
UPC	887191246284

**Physical**

Circuits (maximum)	2
Circuits Detail	2
Color - Resin	Black
Flammability	94V-2
Gender	Male
Glow-Wire Compliant	Yes
Lock to Mating Part	Yes
Material - Resin	Nylon
Net Weight	1.660/g
Number of Rows	2
Packaging Type	Bag
Panel Mount	No
Pitch - Mating Interface	5.70mm
Pitch - Termination Interface	5.70mm
Polarized to Mating Part	Yes
Temperature Range - Operating	-40°C to +120°C

**Electrical**

Current - Maximum per Contact	23.0A
-------------------------------	-------

**Solder Process Data**

Lead-freeProcess Capability	N/A
-----------------------------	-----

**Material Info**

**Reference - Drawing Numbers**

Application Specification	AS-76823-100
Packaging Specification	PK-170001-001, PK-172323-0001, PK-172323-0002, PK-172323-0003
Product Specification	PS-76823-100
Sales Drawing	SD-170001-0100, SD-171692-0100

**EU ELV**

**Not Relevant**

**EU RoHS**

**Compliant**

**REACH SVHC**

Not Contained Per - ED/21/2016 (20 June 2016)

**Halogen-Free**

**Status**

**Not Low-Halogen**

**Need more information on product environmental compliance?**

Email [productcompliance@molex.com](mailto:productcompliance@molex.com)  
Please visit the [Contact Us](#) section for any non-product compliance questions.

China ROHS

ELV

**China RoHS**

Green Image

Not Relevant

**Search Parts in this Series**

[170001](#) Series

**Mates With**

Mega-Fit® Header [76825](#) , [76829](#) , [172064](#) , [172065](#)

**Use With**

Mega-Fit® Crimp Terminals [172063](#) , Mega-Fit® Crimp Terminals [76823](#)

This document was generated on 07/29/2016

**PLEASE CHECK [WWW.MOLEX.COM](http://WWW.MOLEX.COM) FOR LATEST PART INFORMATION**