

FEATURES

- ✘ Low profile for space saving
- ✘ Gold contact for high reliability
- ✘ Top tape type for washing process

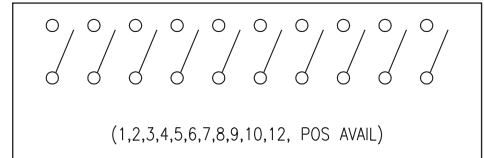
APPLICATION

- ✘ Industrial control
- ✘ Automatic machines control
- ✘ Telecommunication

SPECIFICATION

Contact Rating	25mA, 24V DC
Contact Resistance	50mΩ max.
Insulation Resistance	100MΩ min. 500V DC
Dielectric Strength	500V AC/1 minute
Operating Force	1,000gf max.
Travel	1mm
Operating Life	2,000 cycles
Operating Temp.	-20°C ~ +85°C
Storage Temp.	-40°C ~ +85°C

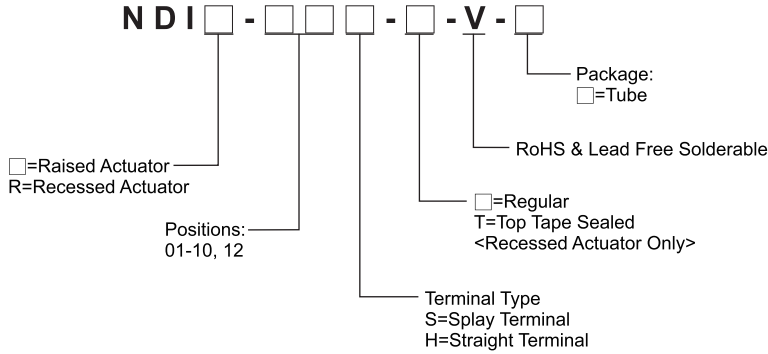
CIRCUIT



PACKAGE

- <Tube>**
- NDI(R)-01(-T): 130 pcs
 - NDI(R)-02(-T): 76 pcs
 - NDI(R)-03(-T): 55 pcs
 - NDI(R)-04(-T): 42 pcs
 - NDI(R)-05(-T): 34 pcs
 - NDI(R)-06(-T): 29 pcs
 - NDI(R)-07(-T): 25 pcs
 - NDI(R)-08(-T): 22 pcs
 - NDI(R)-09(-T): 20 pcs
 - NDI(R)-10(-T): 18 pcs
 - NDI(R)-12(-T): 15 pcs

HOW TO ORDER



NDI(R)

