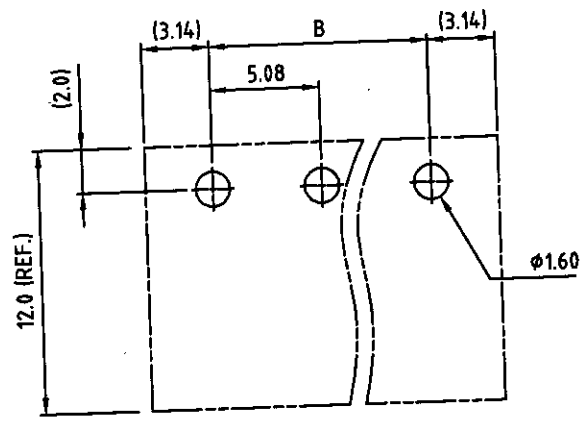
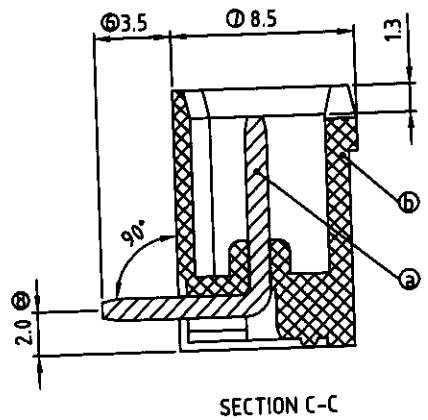
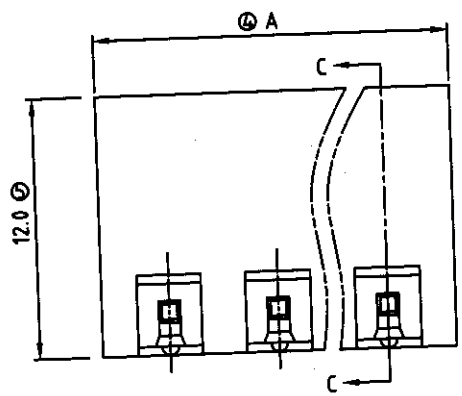
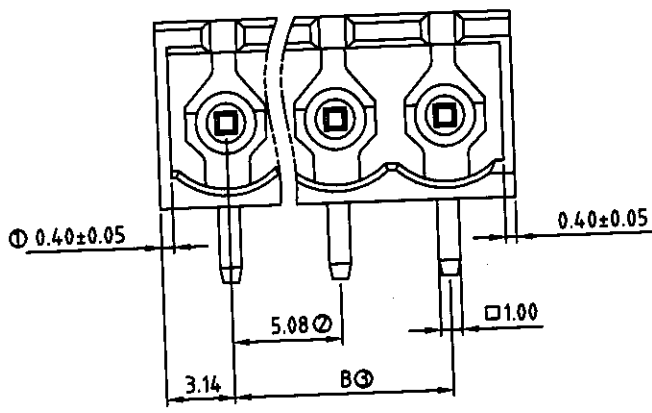


SIGN	DATE	DESCRIPTION	APPROVER
△			

THIS IS CAD DRAWING, DO NOT REVISE MANUALLY!!!



N = Number of poles  
 Dim A = (N x 5.08) + 1.2  
 Dim B = (N - 1) x 5.08

	Dim A	Dim B
2-6p	±0.20	±0.20
7-12p	±0.30	±0.30
13-18p	±0.40	±0.40
19-24p	±0.50	±0.50

- Material:
- Item (a) Male contact pin: Copper Tin plated
  - Item (b) Terminal housing: PA66 0%GF UL94V-0
- Electrical: cULus / VDE / TUV
- Voltage rating: 300V/300V/300V
  - Current rating: 20A/20A/20A
  - Withstanding Voltage: 1.6 KV/2.5KV/2.5KV
  - Operating temperature: -40°C to +115°C
  - Soldering temperature: 250°C ± 10°C / 5 Sec
  - Safety Approval: cULus, VDE, TUV

OQ xx 5 4 01 1010 G

No. OF POLES  
 02: 2 POLES  
 ...  
 24: 24 POLES

COLOR  
 0: BLACK  
 5: GREEN  
 6: BLUE  
 8: GREY

G: Pb<4000ppm  
 1010: "@" Logo (Standard)



<b>ANYTEK</b>				<b>CUSTOMER COPY</b>			
ALL RIGHTS RESERVED. REPRODUCTION OR ISSUE TO THIRD PARTIES IN ANY FORM WHATSOEVER IS NOT PERMITTED WITHOUT WRITTEN AUTHORITY FROM THE PROPRIETOR. PROPERTY OF ANYTEK TECHNOLOGY CO., LTD.							
TITLE: OQ 5.08mm 90° Close Series 2p-24p (It is 3.14mm from the end side wall to the center of pin.)							
PART NO. OQxx54011010G		DWG NO. 80D07069		CUST NO.		Tolerance	
APPROVED	CHECKED	DESIGNED	DRAWN	UNIT: mm		X	±0.50
		Jacke	Jacke	SCALE: NONE		X.X	±0.30
		2010.05.31	2010.05.31	SHEET: 01/01		X.XX	±0.10
				REV: B		X°	±1°