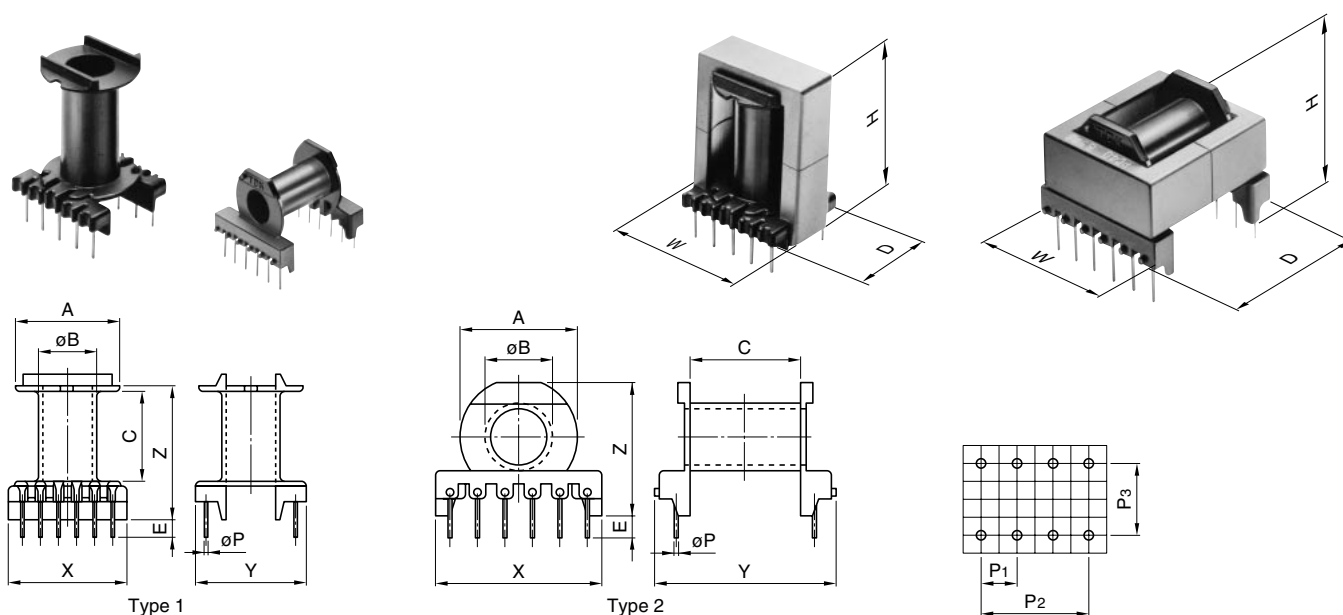


EER BOBBINS



Part No.	Type	Dimensions in mm inches							
		A	øB	C	E	X	Y	Z	t*
BEER25.5-118CPFR	1	19.53 .769	9.9 .390	10.05 .396	4.5 .177	22.0 .866	19.6 .772	16.95 .667	0.95 .037
BEER28-1110CPFR	1	20.9 .823	12.3 .484	16.7 .657	4.5 .177	24.8 .976	23.0 .906	24.00 .945	0.95 .037
BEER28L-1110CPFR	1	20.9 .823	12.3 .484	22.4 .882	4.5 .177	24.8 .976	23.0 .906	29.70 1.169	0.95 .037
BEER35-1112CPFR	1	25.4 1.000	13.7 .539	26.1 1.028	5.5 .217	30.0 1.181	28.5 1.122	37.50 1.476	0.98 .039
BEER40-1112CPFR	1	28.7 1.130	15.8 .622	27.5 1.083	5.0 .197	32.0 1.260	30.0 1.181	38.90 1.531	0.98 .039
BEER42-1114CPFR	1	29.1 1.146	17.95 .707	27.5 1.083	5.0 .197	38.0 1.496	30.0 1.181	39.90 1.571	0.95 .037
BEER42/20-1112CPFR	1	31.5 1.240	19.85 .781	27.3 1.075	5.0 .197	43.5 1.713	37.0 1.457	39.70 1.563	0.95 .037

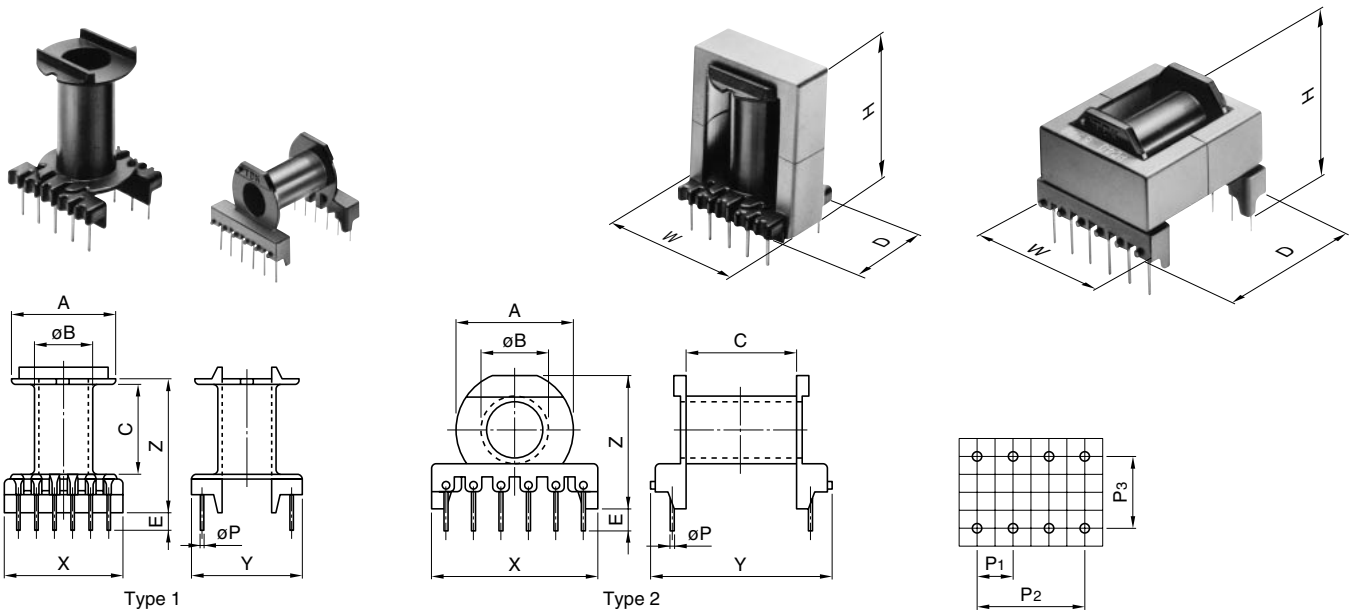
Part No.	Dimensions in mm					Terminal pins	Parameter		Wt (g)
	øP (mm)	P1 (mm)	P2 (mm)	P3 (mm)	Aw (mm ²)		ℓ w (mm)		
BEER25.5-118CPFR	0.8	5.0	15	12.5	8	26 20 21	48.4	46.2	2.7
BEER28-1110CPFR	0.8	5.0	20	17.5	10	29 23 29	71.8	52.2	3.5
BEER28L-1110CPFR	0.8	5.0	20	17.5	10	29 23 35	96.3	52.2	3.9
BEER35-1112CPFR	1.0	5.0	25	22.5	12	36 29 44	152.7	61.4	7.7
BEER40-1112CPFR	1.0	5.0	25	25	12	41 30 46	178.8	69.9	8.9
BEER42-1114CPFR	1.0	5.0	30	25	14	43 30 47	153.3	73.9	9.8
BEER42/20-1112CPFR	1.0	7.5	37.5	30	12	43 37 46	159.7	80.6	12

UL Grade: 94V-0, Material: FR phenol, Pin material: Steel wire (Solder plated)

Maximum number of turns N that can be wound on bobbins, see section of "Maximum number of Turns on Bobbins".

* Minimum thickness of bobbin inside which core is placed, including flanges.

EER BOBBINS



Part No.	Type	Dimensions in mm inches							
		A	øB	C	E	X	Y	Z	t*
BEER49-1118CPFR	1	35.95 1.415	20.3 .799	21.45 .844	4.5 .177	49.0 1.929	37.0 1.457	34.95 1.376	1.05 .041
BEER28-1112CPHFR	2	20.9 .823	12.0 .472	16.1 .634	5.0 .197	30.0 1.181	31.3 1.232	25.0 .984	0.83 .033
BEER28L-1112CPHFR	2	20.9 .823	12.0 .472	21.8 .858	5.0 .197	30.0 1.181	37.0 1.457	25.0 .984	0.83 .033
BEER35-1116CPHFR	2	25.2 .992	13.6 .535	26.4 1.039	4.5 .177	40.0 1.575	45.5 1.791	28.95 1.140	0.93 .037
BEER40-1116CPHFR	2	28.6 1.126	15.7 .618	27.5 1.083	4.2 .165	40.0 1.575	44.0 1.732	31.75 1.250	0.93 .037
BEER42-1116CPHFR	2	29.0 1.142	17.90 .705	27.3 1.075	5.0 .197	40.15 1.581	44.25 1.742	34.5 1.358	0.93 .037

Part No.	Dimensions in mm					Terminal pins	Parameter		Wt (g)
	øP (mm)	P1 (mm)	P2 (mm)	P3 (mm)	W D (mm) H		Aw (mm ²)	ℓ w (mm)	
BEER49-1118CPFR	0.8	5.0	40	30	18	50 37 43	167.8	88.4	15
BEER28-1112CPHFR	0.8	5.0	25	25	12	31 32 26	71.6	51.6	5.2
BEER28L-1112CPHFR	0.8	5.0	25	30	12	31 38 26	97.0	51.7	5.5
BEER35-1116CPHFR	□0.75	5.0	35	35	16	41 46 31	154.4	60.8	11
BEER40-1116CPHFR	1.0	5.0	35	35	16	41 45 32	170.6	69.9	11
BEER42-1116CPHFR	1.0	5.0	35	35	16	43 46 35	148.5	73.8	12

UL Grade: 94V-0, Material: FR phenol, Pin material: Steel wire (Solder plated)
 Maximum number of turns N that can be wound on bobbins, see section of "Maximum number of Turns on Bobbins".
 * Minimum thickness of bobbin inside which core is placed, including flanges.

• All specifications are subject to change without notice.