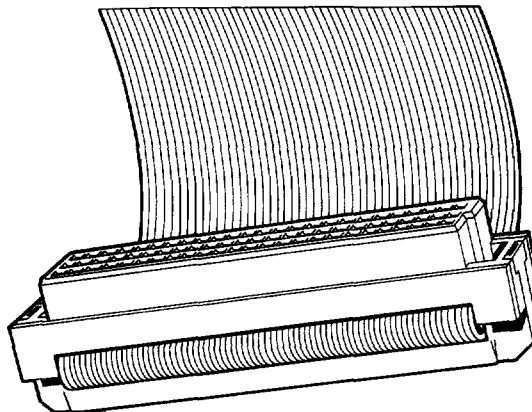


Round Conductor, Flat Cable IDC Connector

2.54 mm (0.100 in.) Centerlines

DIN 64-Position Cable Connector



4182296-0258

Features

- Meets electrical and mechanical requirements of DIN 41612 and BT D2580D.
- Terminates standard 1.27 mm (0.050 in.) pitch, 64 position flat cable.
- Dual-beam, early entry, long wipe contacts.
- AWG 28 stranded or 30 solid.
- Suitable for "daisy chain" applications.

Options

- Plug in type with strain relief or rack mount type.
- Latching.
- Duplex plating.

Mating Data

Mates to 0.64 mm (0.025 inch) square pin from 4.0 mm (0.158 inch) minimum to 5.5 mm (0.217 inch) maximum long.

Berg Electronics Products

- DIN vertical headers . . . 18-2 & 18-12
- DIN right-angle header 18-4

Page

Specifications

- DIN 41612
- BT D2580D

Application Equipment

Description

- HT-306 Hand tool. 18-55
- QP-106 Air press 18-52

Page

Technical Data

Materials

- Contact block, cover and strain relief Glass-filled thermoplastic polyester (UL 94 V-0)
 - ▶ Color Contact block: Gray
Cover and strain relief: Black
- Contact material Phosphor-bronze

Electrical Performance

- Insulation resistance 1×10^5 M Ω min
- Withstanding voltage 1000 V rms (sea level)
- Current rating 2 amp max
- Contact resistance 15 M Ω max

Operating Environment

- Temperature range -55°C to +125°C
- Polarization Configuration of plastic parts

Mechanical Performance

- Finish See Ordering Data
- Insertion force 0.94 N (94 gf) max
- Withdrawal force 0.20 N (20 gf) min
- Cable Specification . . . Flat ribbon cable AWG 28 stranded or AWG 30 solid

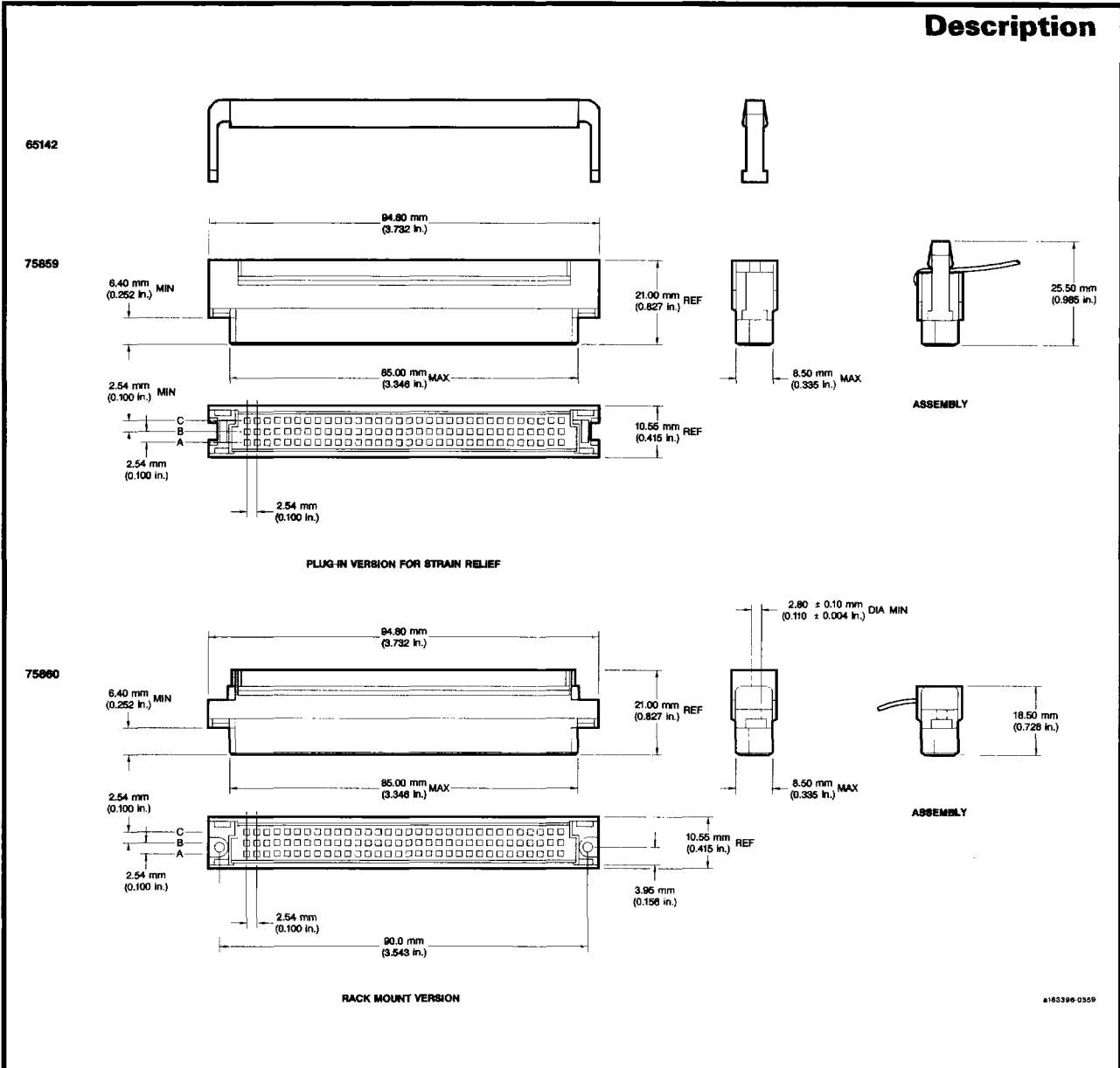
Packaging

- Trays
- Strain relief
 - ▶ Bags

Customer Support Materials

Description	Order No.	Description	Order No.
Customer Product Drawings	By Part Number	Product Substitutions	Upon Request
Product Samples	Upon Request		

Description



18

Ordering Data

Base number specifies
plug-in or rack mount.

Dash number specifies
finish (X) and loading (YY).

□ □ □ □ - X Y Y

X: Code for finish

X	Contact Area	Piercing Section
1	1µm (40 µin.) gold over nickel	nickel
2	0.5 µm (20 µin.) gold over nickel	nickel
Description	YY: Code for loading	Row to Row Spacing
Plug-in version without strain relief	75859-X01 (rows a + c)	2.54 mm x 5.08 mm (0.100 x 0.200 in.)
	75859-X02 (rows a + b)	2.54 mm x 2.54 mm (0.100 x 0.100 in.)
Rack mount version	75860-X01 (rows a + c)	2.54 mm x 5.08 mm (0.100 x 0.200 in.)
	75860-X02 (rows a + b)	2.54 mm x 2.54 mm (0.100 x 0.100 in.)
Description	Part Number	
Strain relief	65142-001	

Notes

1. For "Polarizing and latching system" see page 18-48.
2. For hand tool and application machine information, see pages 18-55 & 18-52.

Ordering data shown is for our standard product offering. For non-standard or custom products, contact your authorized Berg Electronics representative.