

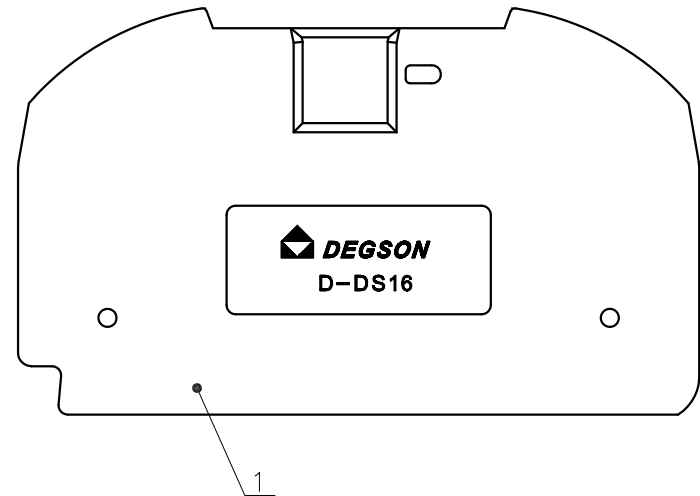
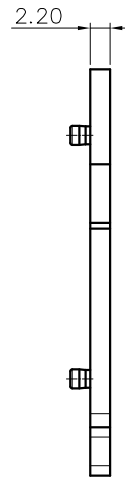
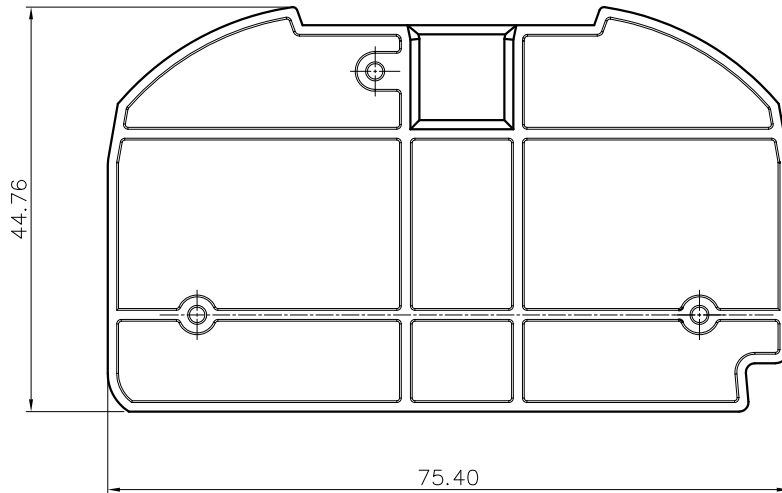
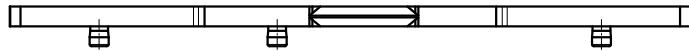
REVISION RECORD				
REV	ECN	DESCRIPTION	DRFT	DATE

D-DS16 - 01P - 1Y - 00A (H)

(Series No.) (Poles) (Single Pitch) (Color):

- 1.(Grey)
- 2.(Blue)
- 3.(Black)
- 4.(Green)
- 5.(Orange)
- 6.(Red)
- 7.(Transparent)
- 8.(Yellow)
- 9.(White)

(RoHS)
00A-(Standard)



NOTES:

- 1.Dimension shall be interpreted per ASME Y14.5-2009
- 2.Operating temperature: -40°C~+105°C
- 3.Undimensioned tolerances:

Pitch range in mm		Nominal dimension range in mm				Tolerances	
TO	Over TO	TO	Over TO	TO	Over TO	0.1/10	
6	10	6	10	30	150	±0.15	±2'
	24	30	60	100			
		60	100	150			

4.RoHS Compliance

DETACHED LISTS	PART NO.:	宁波高松电子有限公司 NINGBO DEGSON ELECTRICAL CO., LTD			
	APPD:	NAME: D-DS16-01P-1Y-00A(H)			
	CHKD:	TITLE: CUSTOMER DRAWING			
	DRFT:	DRAWING NO.:		REV	DO
THIRD ANGLE PROJECTION		MM (INCH)	DO NOT SCALE DRAWING	SHEET	1/1
			SCALE	1:1	