

6

5

4

3

2

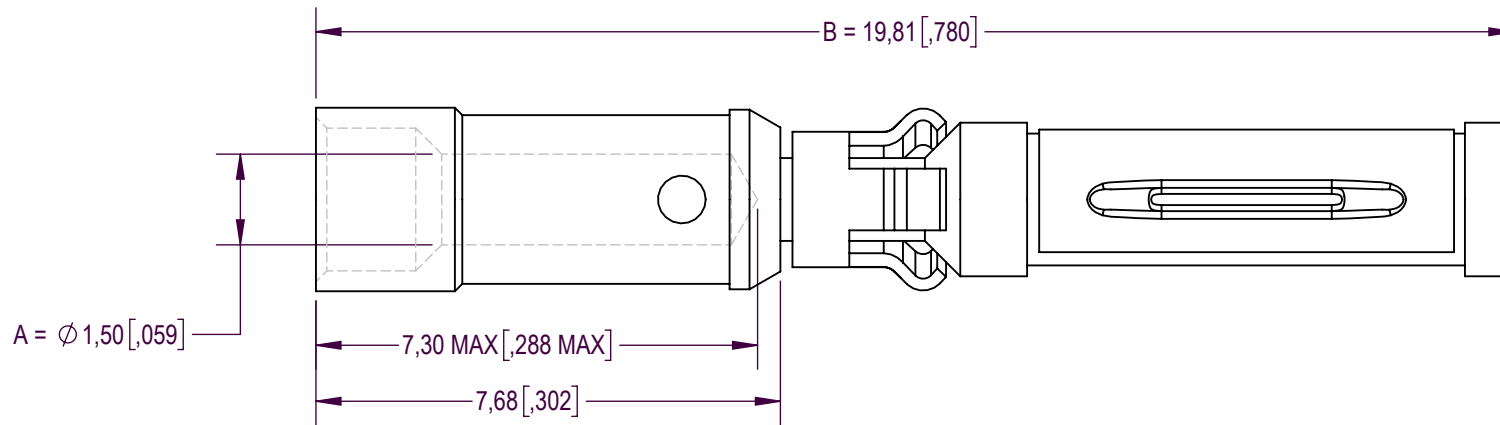
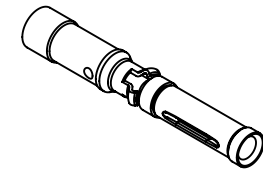
1

D

C

B

A



NOTES :

1. MATERIAL AND FINISHES :
 CONTACT : HIGH CONDUCTIVITY COPPER ALLOY, 1.27µ [0.000050] GOLD OVER NICKEL PLATE.
 RETENTION CLIP : BERYLLIUM COPPER, 1.27µ [0.000050] GOLD OVER NICKEL PLATE.
 SPRING CLIP : BERYLLIUM COPPER, 1.27µ [0.000050] GOLD OVER NICKEL PLATE.
2. MOS S1772 : THIS MOS ALLOWS FOR CRIMP REMOVABLE CONTACTS TO BE SUPPLIED WITH A DIAMETER **A** OF 1.50 [0.075] AND OVERALL LENGTH **B** OF 19.81 [0.780].
3. DETAIL PRODUCT, ELECTRICAL AND MECHANICAL INFORMATION IS AVAILABLE IN THE LATEST SCORPION PRODUCT PUBLICATION AT CONNECTPOSITRONIC.COM.
4. **COMPLIANT TO THE CURRENT RoHS DIRECTIVE.**

LATEST REVISION		3RD ANGLE 	POSITRONIC BELIEVES THE DATA ON THE DRAWING TO BE RELIABLE. THE USER EMPLOYS SUCH INFORMATION AT HIS OWN DISCRETION AND RISK. POSITRONIC ASSUMES NO RESPONSIBILITY FOR RESULTS OBTAINED OR DAMAGES INCURRED FROM USE OF SUCH INFORMATION IN WHOLE OR IN PART.	 CONNECTPOSITRONIC.COM
BY GB APR	CHK AT PP ECO			
TOLERANCES ±0.03mm [.001 INCHES] FOR MALE CONTACT MATING DIAMETERS ±0.08mm [.003 INCHES] FOR CONTACT TERMINATION DIAMETERS ±0.13mm [.005 INCHES] FOR ALL OTHER DIAMETERS ±0.38mm [.015 INCHES] FOR ALL OTHER DIMENSIONS ±5° FOR ALL ANGLES DIMENSION ARE IN MILLIMETERS (INCHES)		SCALE NTS	PART NUMBER FC116N2S/AA-15-S1772	SERIES SCORPION
DATE 13/08/2018		SHEET SHEET 1 OF 1		REV A01
TITLE PSK3790-1				

6

5

4

3

2

1

D

C

B

A