

**SPECIFICATIONS**

**Mechanical**

**Contact Retention Force:** 0.91Kgf Min.

**Electrical**

**Current Rating:** 3.0A per pin min.

**Dielectric Withstanding Voltage:** 500V AC.

**Insulation Resistance:** 1000MΩ min.

**Physical**

**Housing:** Nylon 6.6, UL 94V-0, Color See "NOTES"

**Contact:** Copper alloy

**Plating:** See "ORDERING INFORMATION"

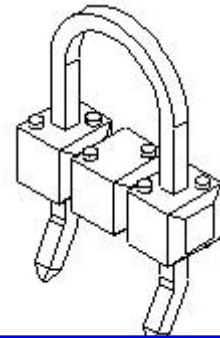
**Operating Temperature:** -55 to +105

**Breakaway Header**

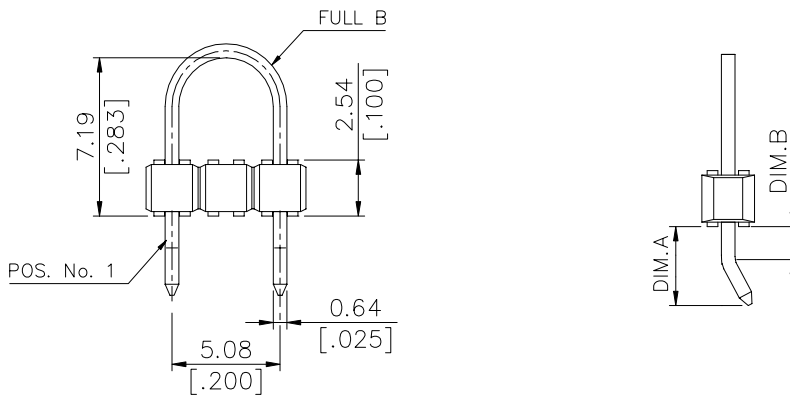
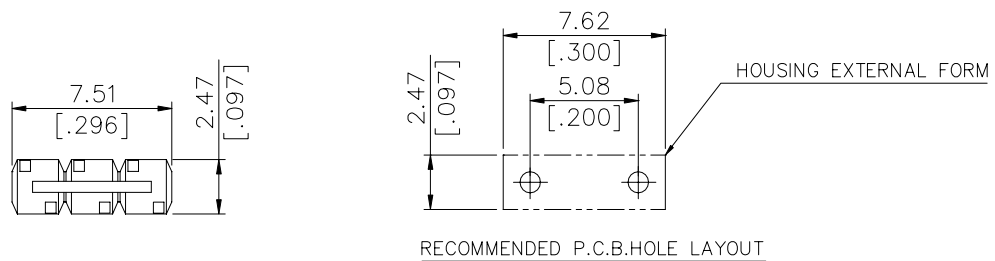
**HB96 Series**

**T/H Type**

**5.08mm [.200"] Pitch**



**DRAWING**



**ORDERING INFORMATION**

**PRODUCT No. : HB 96 \*\* \* - \* \* \***

- Breakaway Header
- Termination&Contact Type
- No. Of Single Row Pos.  
03 = 3 POS.
- Contact Area Plating  
0=100u"min. Tin/Lead Plating Over All  
1=Gold Flash Over All  
E=100u"min. Tin Plating with Lead free
- Optional For Housing Color  
None:Black  
W:Ivory
- Tail Length  
None: DIM.A=3.60 mm  
5: DIM.A=4.57 mm
- Optional For Kinks  
S: Without Kink  
K:With 20 DEG of Kink,DIM.B=1.50  
D:With 45 DEG of Kink,DIM.B=1.50  
L:With 20 DEG of Kink,DIM.B=2.13  
M:With 45 DEG of Kink,DIM.B=2.43