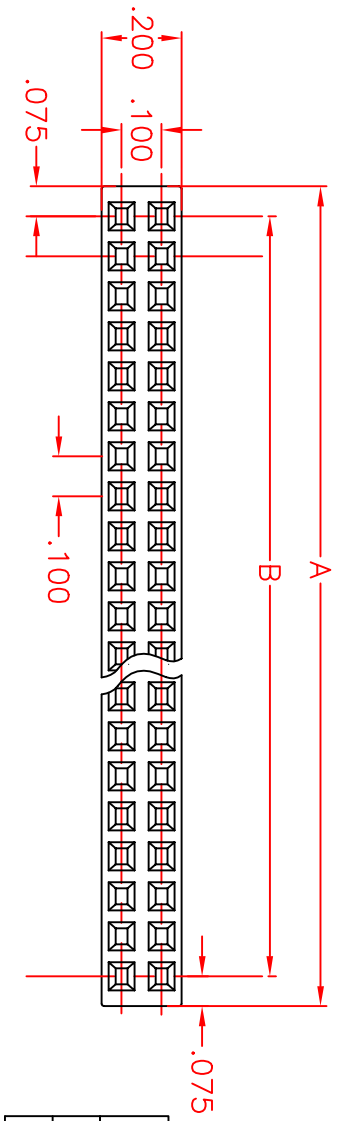
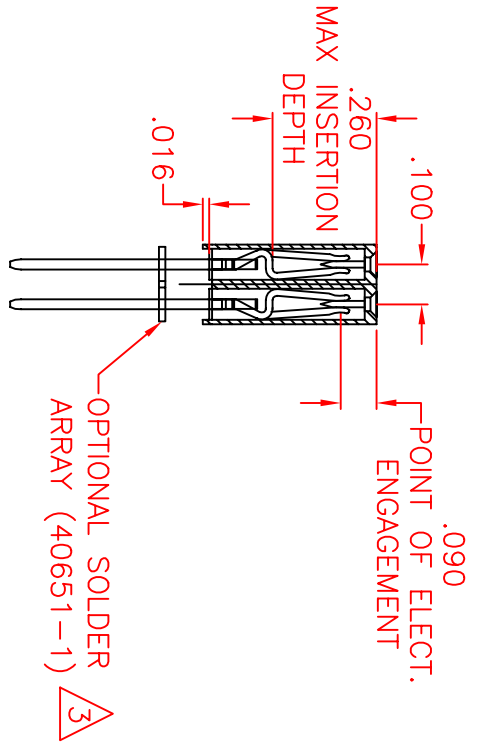
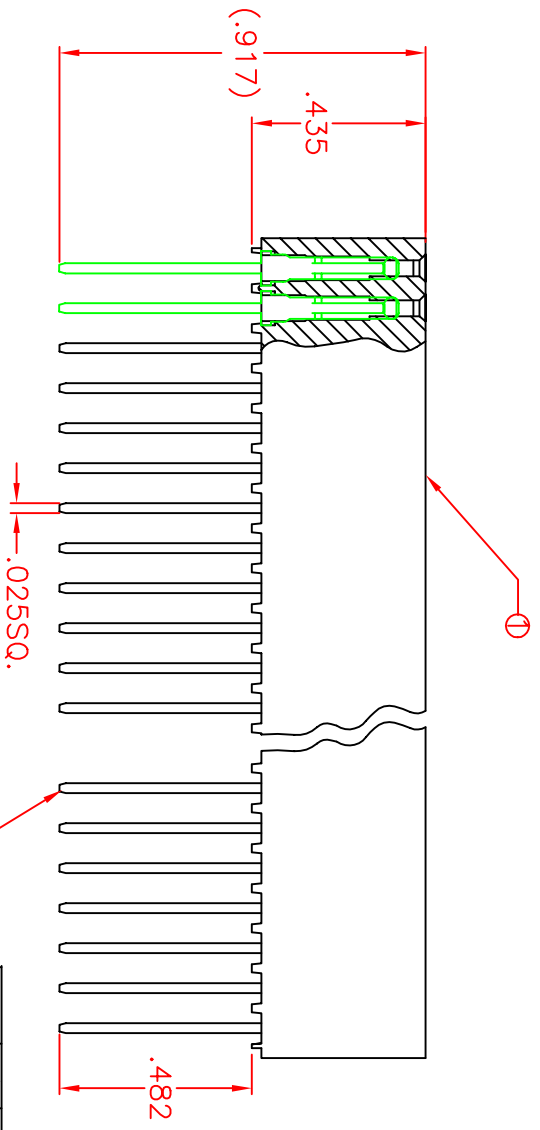


THIS DRAWING CONTAINS PROPRIETARY INFORMATION EXCLUSIVE TO CDW. CDW AND ITS SUPPLIERS AND MANUFACTURERS DO NOT WARRANT, REPRESENT OR GUARANTEE THE ACCURACY OF THE INFORMATION PUBLISHED OR DISCLOSED IN THIS DRAWING. IN PART FOR THE MANUFACTURER, PROCEED AS USUAL AND DO NOT RELY ON THIS DRAWING AS A SUBSTITUTE FOR THE MANUFACTURER'S EXACTING AS SPECIFIED IN THE PART NUMBER AND PART SPECIFICATION. CDW.COM WORLDWIDE, INC.

REVISIONS			DATE	APPROVED
ECO NO.:	REV:	DESCRIPTION	DATE	APPROVED
91XXX	E	UPDATE	07.12.06	



PART NUMBER	NUMBER OF POS.	DIM 'A'	DIM 'B'
1185-40	40	2.050	1.900
1185-64	64	3.250	3.100



- USE ASSEMBLY NUMBER 50711 WHEN THE SOLDER ARRAY IS PRE-INSTALLED
- FINISH: G - GOLD FLASH PER MIL-G-45204, TYPE II, OVER 50 MICRONS OF NICKEL PER QQ-N-290
- INSULATOR MATERIAL: BLACK, 30% GLASS FILLED THERMOPLASTIC, 94V-0 RATED ROHS COMPLIANT OPERATING TEMP RANGE: -65°C TO +250°C CONTACT MATERIAL: PHOSPHOR BRONZE, ALLOY 5100

NOTES: UNLESS OTHERWISE SPECIFIED

2	A/R	40304-01	SOCKET CONTACT, .100P, .025SQ.
1	1	40314-XX	2ROW, .100P SOCKET PLASTIC
FIND QTY		PART NO.	DESCRIPTION

UNLESS OTHERWISE SPECIFIED: DIMENSIONS ARE IN INCHES AND TOLERANCES ARE: FRACTIONS DECIMALS ANGLES ±1/64 .XX ± .02 ±.XXX ± .010 ±1°

LIST OF MATERIALS

COMM CON WORLDWIDE, INC. a subsidiary of INTERCONNECT SYSTEMS INC.

DRAWN BY: AM	DATE: 02.01.02	TITLE: 2 ROW, .100P, SOCKET PC104 STACK THROUGH CONNECTOR
APPROVED:		
MATERIAL: SEE NOTE 1	CAT. NO.: 1185-XXXX	SIZE (GAGE NO.): A
FINISH: SEE NOTE 2	SCALE: 2:1	DWG NO.: 30225
	TOOL: T00131M.DWG	REV: E
		SHEET 1 OF 1