

敬 呈
CUSTOMER : 富迪

档 案 号
FILE NO : KQ-DWG-160117

承 认 书

SPECIFICATION APPROVAL SHEET

| | |
|---------------------------|---------------------------|
| 品 名 PRODUCT | FI-X30P对杜邦2*15P带卡带地-550mm |
| 凯群型号 Kai Qun TYPE NO. | KQ-DWG-160117 |
| 客户料号 CUSTOMER PART NO. | DN51A849 |

| 凯群确认 KAIQUN CONFIRMATION | | 客户确认 CUSTOMER CONFIRMATION | |
|-----------------------------|----------------|-------------------------------|---------------|
| 制作 MAKE BY | 核准 APPROVED BY | 确认 APPROVED BY | 审核 CHECKED BY |
| 张万华 | GAP | | |

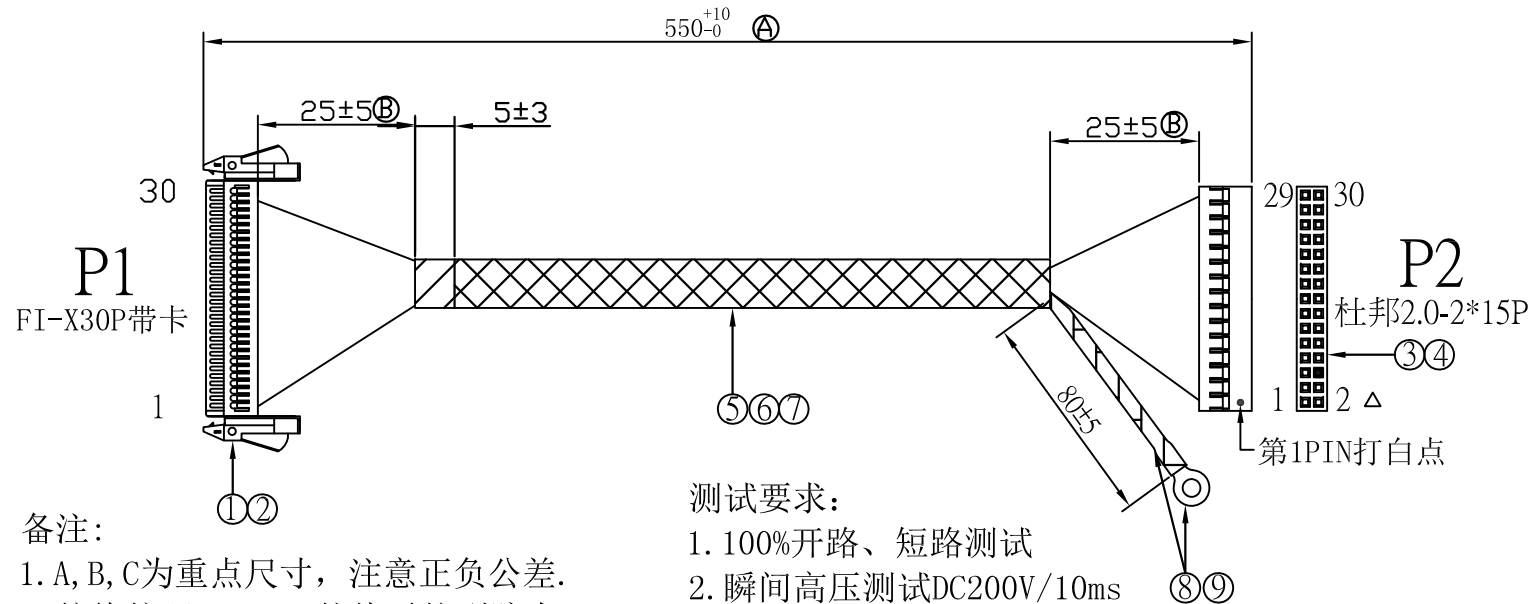
东莞市富迪电子有限公司

目录

| | |
|----------|-----------|
| 1. 承认书封面 | -----1 |
| 2. 目录 | -----2 |
| 3. 工程图 | -----//5 |
| 6. 规格书 | -----4-10 |

配线表

| P1 | COLOR | P2 |
|----|-------|----|
| 1 | 黑 | 1 |
| 2 | 黑 | 2 |
| 3 | 黑 | 3 |
| 4 | NC | |
| 5 | 黑 | 5 |
| 6 | 黑 | 6 |
| 7 | NC | |
| 8 | NC | |
| 9 | 黑 | 4 |
| 10 | NC | |
| 11 | 黑 | 13 |
| 12 | 白 | 7 |
| 13 | 蓝 | 8 |
| 14 | 黑 | 14 |
| 15 | 白 | 9 |
| 16 | 蓝 | 10 |
| 17 | NC | |
| 18 | 白 | 11 |
| 19 | 蓝 | 12 |
| 20 | NC | |
| 21 | 白 | 15 |
| 22 | 蓝 | 16 |
| 23 | 黑 | 25 |
| 24 | 白 | 17 |
| 25 | 蓝 | 18 |
| 26 | 黑 | 26 |
| 27 | NC | |
| 28 | NC | |
| 29 | NC | |
| 30 | NC | |



备注：
 1. A, B, C为重点尺寸，注意正负公差。
 2. 绞线绞距4-5mm，绞线需绞到胶壳底陪。端子与线材(不含PVC)的拉力1.5kg(含)以上。

- 测试要求：
- 100%开路、短路测试
 - 瞬间高压测试DC200V/10ms
 - 导通阻抗： $\leq 0.5 \Omega$
 - 绝缘阻抗： $\geq 20M \Omega$

| | | |
|-----|-------------------------------|-------|
| 9 | RT6003202-35C端子 ID3.2*OD6.5MM | 1PCS |
| 8 | $\varphi 4.0$ 热收缩套管 L=90mm | 1PCS |
| 7 | 铝美丝编织网28*6/0.12 L=580mm | 1PCS |
| 6 | 醋酸布W=30mm L=500mm | 1PCS |
| 5 | 1571 #28 OD:0.6 7/0.12TS PVC | 20PCS |
| 4 | 杜邦2.0端子(半金端子) | 20PCS |
| 3 | 杜邦2.0-2*15P胶壳 黑色 | 1PCS |
| 2 | FI-X 端子镀金 | 20PCS |
| 1 | FI-X30P 白色带卡胶壳 | 1PCS |
| NO. | DESC. & VENDOR P/N | QTY |

| No. | A端 | 线材 | B端 | 长度 | 数量 |
|-----|--------------|------------------------------|-------------|-------|----|
| 1 | FI-X端子(全金IU) | 1571 #28 OD:0.6 7/0.12 PVC 黑 | 杜邦2.0端子(半金) | 550mm | 10 |
| 2 | FI-X端子(全金IU) | 1571 #28 OD:0.6 7/0.12 PVC 白 | 杜邦2.0端子(半金) | 585mm | 5 |
| 3 | FI-X端子(全金IU) | 1571 #28 OD:0.6 7/0.12 PVC 蓝 | 杜邦2.0端子(半金) | 585mm | 5 |

| | | | |
|---|---------------|------------------------------|------------------|
| 客户： | 客户料号：DN51A849 | 规格：FI-X30P对杜邦2*15P带卡带地-550mm | 图号：KQ-DWG-160117 |
| 东莞市凯群电子有限公司 DongGuan KaiQun Electronic Co.,Ltd | 审核 | 周银宁 | 确认 |
| | | 繪圖 | William |
| | | 版次 | A |
| | | 修訂日 | 2018-09-21 |
| | | SHEET:1/1 | UNIT:mm |
| | | SCALE:NONE | |



UL 1571 HOOK-UP WIRE

80°C 30V PVC 電子線

UL Subject 758

UL FILE NO: E309338

▲說明：

- 導體使用單條或絞線最少至 50AWG 裸銅或鍍錫銅
- PVC 絕緣
- 額定溫度：80°C，額定電壓：30 Volts
- 使用標準厚度,易剝,截斷容易
- 可通過 UL 垂直型耐燃測試

▲ 應用：

- 電子設備二次回路中內部連接用線。

Product Description:

- Tinned,annealed,stranded or Solid copper conductor,MIN,50AWG
- Color-coded PVC insulation
- Rated temperature: 80°C,Rated voltage: 30 Volts
- Uniform thickness of wire to ensure easy stripping and cutting
- Passed UL VW-1 vertical flame test

Applications:

- Internal wiring of class 2circuits electronic equipment

構造和電氣性能

Structure & electric properties



| UL 1571 | 額定 Range | | 導體 Conductor | | 絕緣體 Insulation | | 公差值 Tolerance mm | 最大導體 阻抗 Maximum Conductor Resistance Ω/km | 最小絕緣 阻抗 Minimum Insulation Resistance Ω/km | 絕緣耐電壓 (VAC/min) Insulation Potential Strength |
|--------------|------------|--------------|--------------|--------------|-----------------|------------|------------------|---|--|---|
| | 溫度 Temp °C | 電壓 Voltage V | 線號 AWG | 構成 No./mm | 厚度 Thickness mm | 外徑 O.D. mm | | | | |
| Stranded 多芯線 | 80°C | 30V | | 7/0.12±0.010 | 0.10 | 0.60 | ±0.05 | 248 | 15 | 500 |



UL 1571 HOOK-UP WIRE
80°C 30V PVC 電子線

UL Subject 758

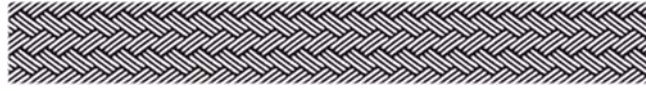
UL FILE NO: E309338

| STYLE | | UL 1571 | | CSA | |
|--------------------------|------------------------------|----------------|-------|-----|--|
| RATING TEMP / VOLT | | 80°C/30V | | | |
| CONDUCTOR | SIZE | AWG | 28 | | |
| | NUMBER | NO. | 7 | | |
| | DIAMETER | MM | 0.12 | | |
| | MIN.DIAMETER | MM | 0.110 | | |
| | CROSS SEC AREA OF COND | AVG. | CM | 253 | |
| | | MIN | | 248 | |
| | LAY OF BUNCH | INCH | 0.50 | | |
| | MAX.RESISTANCE | Ω /KM | 248 | | |
| INSULATION | O.D.(±0.05) | MM | 0.60 | | |
| | INSULATION THICKNESS | AVG | 4 | | |
| | | MIN | 3 | | |
| | JACKET THICKNESS | AVG | MIL | | |
| MI | | MIL | | | |
| ADHESIVE TEST | KG | | | | |
| INSULATION RESISTANCE | MΩ /KM | 15 | | | |
| SPARK TEST | KV | 2 | | | |
| ELONGATION | % | 100 | | | |
| TENSIL STRENGTH | PSI | 1500 | | | |
| ELO.(AFTER AGING) | % | OF UNAGED | 65 | | |
| TEN.ST.(AFTER AGING) | % | OF UNAGED | 70 | | |
| AGING TEMP TIME | 113°C/168HRS | | | | |
| OIL LMMERSION TEST | | | | | |
| FIAME TEST | VW-1 | | | | |
| HEAT SHOCK TEST | 121°C/1HR | 1.60MM MANDREL | | | |
| DEFORMATION TEST | 113°C/1HR | 50% | | | |
| COLD BEND TEST | -10°C/1HR | 0.4MM MANDREL | | | |
| INSULATION POTENTIALST | 500VAC/MIN | | | | |
| 印字内容: 无 | | | | | |

常州精英电子有限公司

铝镁合金编织线规格书

一、结构示意图



二、结构尺寸、电性能

| 特 性 | 单 位 | 24x7/0.12 |
|------------|--------|---------------------------|
| 导体股数 | 股 | 24 |
| 每股单丝根数 | 根 | 7 |
| 导体单丝线径 | mm | $0.120_{-0.010}^{+0.003}$ |
| 每英寸花数 | 个 | 6 ± 2 |
| 直流电阻 (20℃) | Ω/KM | ≤46 |

三、外观

1. 铝镁合金编织线无严重氧化现象;
2. 铝镁合金编织线成轴后排线应紧密、平整、轴无损坏现象;
3. 铝镁合金编织线不能有严重的乱线翘丝、扭曲、无花纹等缺陷;
4. 铝镁合金编织线每轴在接头处必须有明显的色标,并在外层标签上标明点的相应位置。

四、包装

1. 内包装:

- 1) 铝镁合金编织线以 1.0KM 成轴,外层有透明的塑料薄膜包住,并将标签贴在其上。
- 2) 上述包装好后,用一塑料透明袋封装,塑料袋内需放置一小包干燥剂。

2. 外包装:

将上述 TZX 装在纸箱内,要求每箱二轴。

纸箱尺寸为:长 X 宽 X 高=405X200X245mm。

深圳市埃格罗科技有限公司

规格书

以下数据参数参照PSTC-7, 美国压敏协会标准测试。

| | | | |
|------------------------------|--|----------------------------------|----------------------------|
| 产品编号 Product Code | EGROE-V12A | 产品名称 Product Name | 黑色醋酸布 |
| 产品结构 Product Construction | <div style="border: 1px solid black; padding: 5px; margin-bottom: 5px;"> <p style="text-align: center;">*****</p> </div> <div style="border: 1px solid black; padding: 5px;"> <p style="text-align: center;">////////////////////////////////////</p> </div> | | <p>→ 亚克力胶</p> <p>→ 醋酸布</p> |
| 材料名称 Article Name | 醋酸布 | 胶 系 Adhesive Base | 亚克力胶 |
| 材料厚度 mm Article Thickness | 0.12±0.02 | 初期力 No/ Ball Initial Tack | 5# ↑ |
| 颜色 Color | 黑色 | 粘着力 kg/ inch Peeling Adhesion | 1.2 ↑ |
| 涂胶厚度 mm Thickness | 0.07±0.01 | 保持力 hr Holding Strength | 48 ↑ |
| 抗电压 kv Tensile Pressure | 1.5 ↑ | 抗张力 kg/ 15mm Tensile Strength | 10 ↑ |

备注：以上各项技术资料为本公司采用公认可靠的检验方法，经多次检验所得平均数据，但为确保正确选择与使用本公司的产品，请基于使用对象，先行对使用目的与使用条件作详尽了解与试用，或通知本公司，以便于为您提供更进一步的说明与服务。

REMARK: THE TECHNICAL DATA ARE BASED ON THE RELIABLE EXPERIMENTS CARRIED BY THE COMPANY WHICH, HOWEVER, IS NOT TO GAURANTEE THOSE PROPERTIES AND CHARACTERISTICS ARE COMPLETELY AS SPECIFIED. THEREIN, KINDLY STUDY YOUR PURPOSE AND CONDITION TO USE T

PRODUCT SPECIFICATION

| | |
|--------|----------------------|
| | |
| A0 | 首次发行 |
| Ver.版本 | Reversion Record变更历史 |

| | | | |
|-----------|---|----------|----|
| Name | PH2.5 Wire To Board Connector with lock | | |
| Parts No. | KB952-XXHLXX/KB952-XXTXX | | |
| Date | May.24 , 2016 | Version | A0 |
| Making | 阮益琳 | Approved | 杨峰 |

1. SCOPE 范围

1.1. CONTENT 内容

This specification covers performance, tests and quality requirements for the Pitch2.0 WTB Series.
此规范包括Pitch2.0 WTB款产品性能、测试及品质要求等

1.2. QUALIFICATION

When tests are performed on the subject product line, procedures specified in Pitch2.0 WTB type specification shall be used. All sections shall be performed using the applicable inspection plan and product drawing.

生产过程检测时,应采用Pitch2.0 WTB款规范,所有检测将符合检验规范和产品图纸

1.3. APPLICABLE DOCUMENTS 应用文件

In the event of conflict between the requirements of this specification and the product drawing, the product drawing shall take precedence. In the event of conflict between the requirements of this specification and the referenced documents, this specification shall take precedence.

当规范与产品图发生冲突时,以产品图为准;当规范与参考文件发生冲突时,以规范为准

2.1. INDUSTRY STANDARD 行业标准

EIA-364: Electrical industries association EIA-364

电子工业协会

3. REQUIREMENTS 要求

| | |
|-----------------------------|------------------|
| Electronics | |
| Voltage | 250V AC,DC |
| Current | 3A AC/DC(AWG#22) |
| Temperature | -25°C to 85°C |
| Material&Plating | |
| Housing | NYLON |
| Terminal | Phosphor Bronze |
| Shell | / |

4. PERFORMANCE AND TEST DESCRIPTION 性能和测试描述

Product is designed to meet the electrical, mechanical and environmental performance requirements specified in Figure 1. Unless otherwise specified, all tests shall be performed at ambient environmental conditions per EIA-364.

产品设计必须符合规范规定的电气、机械、环境性能。除非另有规定,所有的测试范围都必须在Pitch2.0 WTB款规范所规定的条件下进行,除非另有规格文件,所有性能测试按照EIA-364的环境条件。

| Parts | Parts No. |
|----------|---------------|
| Terminal | KB952-XXTXX |
| Housing | KB952-XXHLXX |
| Wafer | KB952-XXXSRXX |

Electrical performance

| Item | Test Methods | Requirement |
|---------------------------------------|---|---|
| contact resistance. 接触阻抗 | Subject mated contacts assembled in housing to 20mV Max open circuit at 100mA Max. EIA-364-23B. | Initial value/20mΩ Max After environmental tests /40mΩ Max |
| Dielectric withstanding Voltage 耐压 | 1000V AC for 1 minute Test between adjacent circuits of unmated connector. EIA-364-20B | No flashover or insulation breakdown. |
| Insulation Resistance 绝缘阻抗 | Test voltage 500V DC. Test between adjacent circuits of unmated connector. EIA-364-21C | 1000M Ohm Min. |

Mechanical performance

| Item | Test Methods | Requirement |
|--|---|--|
| Wire Pullout Force 压着线之拉脱力 | Pull out the cable from contact terminal at the speed rate of 25±6mm/minute EIA 364-13B | AWG#24 size 3.7 Kgf Min AWG#26 size 1.8 Kgf Min AWG#28 size 1.5 Kgf Min. |
| Crimp Terminal Retention Force (in Housing) 端子保持力 (胶壳内) | Axial pullout force on the terminal in the housing at the speed rate of 25±6mm per minute EIA 364-13B | Per Contact 0.6Kgf Min. |
| Mechanical shock 机械冲击 | No. of Drops: 3 drops each to normal and reversed directions of X,Y and Z axes, totally 18 drops, passing DC 1mA current during the test. Accelerate Velocity: 490m/s ² (50G) Waveform: Half-sine shock plus Duration: 11msec EIA-364-27B | No electrical discontinuity greater than 0.1 or 1 μ sec shall occur. |
| Druability 寿命测试 | Mate Connectors up 30 Cycles at a Maximun rate of 10 cycles Per minute prior to environmental test EIA 364-09C | Contact resistance less than twice of initial |