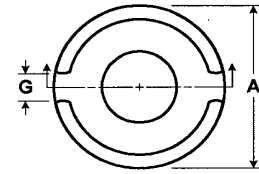


Section 6. Standard Pot Core Sizes and Accessories

3 x 2

DIMENSIONS

	inches	mm		inches	mm
A	.155 ± .003	3.94 ± .08	2D	.035 min.	.889 min.
B	.0375 ± .002	.953 ± .05	E	.115 min.	2.92 min.
2B	.075 ± .004	1.91 ± .10	F	.057 max.	1.45 max.
D	.0175 min.	.445 min.	G	.032 ± .004	.813 ± .10

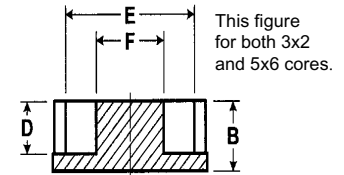


MAGNETIC DATA

MAGNETIC PATH LENGTH (cm)	0.429
EFFECTIVE AREA (cm ²)	0.021
VOLUME (cm ³)	0.009
CORE WEIGHT (grams per set)	.076

A_L VALUES FOR UNGAPPED CORES (gapped cores not available)

CORE NO.	A _L (mH/1000T)	
	+40%	-30%
F-40302-UG	560	



DIMENSIONS

	inches	mm		inches	mm
A	.180 ± .005	4.57 ± .127	2D	.106 min.	2.69 min.
B	.080 ± .002	2.03 ± .05	E	.145 min.	3.68 min.
2B	.160 ± .004	4.06 ± .10	F	.087 max.	2.2 max.
D	.053 min.	1.34 min.	G	.051 ± .004	1.30 ± .10

5 x 6

MAGNETIC DATA

MAGNETIC PATH LENGTH (cm)	1.02
EFFECTIVE AREA (cm ²)	.041

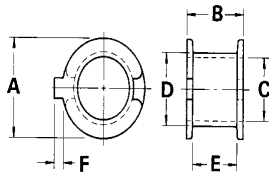
VOLUME (cm ³)	.041
CORE WEIGHT (grams per set)	.24

A_L VALUES FOR UNGAPPED CORES (gapped cores not available)

CORE NO.	A _L (mH/1000T)+	
	40%	-30%
F-40506-UG	650	
J-40506-UG	800	

STANDARD BOBBIN (5 x 6 core)

Material: Thermoplastic polyester (PET)
(UL 94 V-O rated)



PART NUMBER	DIMENSIONS IN INCHES						Nominal Winding Area Per Section		Average Length of Turn ft
	A	B	C	D	E	F	in ²	cm ²	
	MAX.	MAX.	MIN.	MAX.	NOM.	NOM.			
B0506-01	.144	.100	.089	.105	.079	.014	.0015	.0097	.0322

DIMENSIONS

	inches	mm		inches	mm
A	.255 ± .003	5.72 ± .08	2D	.086 min.	2.18 min.
B	.064 ± .002	1.62 ± .05	E	.177 min.	4.49 min.
2B	.128 ± .004	3.25 ± .10	F	.098 max.	2.49 max.
D	.043 min.	1.09 min.	G	.059 ± .004	1.50 ± .10
			H	.039 ± .002	.099 ± .05

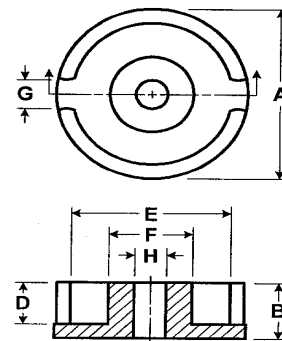
5 x 7

MAGNETIC DATA

MAGNETIC PATH LENGTH (cm)	.775
EFFECTIVE AREA (cm ²)	.044
VOLUME (cm ³)	.034
CORE WEIGHT (grams per set)	.20

A_L VALUES FOR UNGAPPED CORES (gapped cores not available)

CORE NO.	A _L (mH/1000T)	
	+40%	-30%
F-40507-UG	775	
J-40507-UG	930	

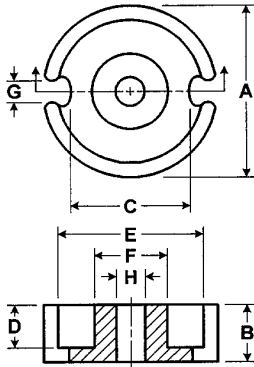


FOR PREFERRED PARTS, SEE INSIDE BACK COVER

7mm x 4mm

DIMENSIONS

	inches	mm		inches	mm
A	.285 ± .006	7.24 ± .15	2D	.110 min.	2.79 min.
B	.082 ± .002	2.08 ± .05	E	.226 min.	5.74 min.
2B	.164 ± .004	4.16 ± .010	F	.118 max.	3.00 max.
C	.186 nom.	4.72 nom.	G	.060 min.	1.52 min.
D	.055 min.	1.40 min.	H	.043 ± .002	1.09 ± .05



MAGNETIC DATA

MAGNETIC PATH LENGTH (cm)	.99
EFFECTIVE AREA (cm ²)	.070
VOLUME (cm ³)	.069

CORE WEIGHT (grams per set)	0.5
-----------------------------	-----

NOTE: Minimum core area .059 cm²

A_L VALUES FOR UNGAPPED CORES

CORE NO.	A _L (mH/1000T)
A-40704-UG	450 +40% -30%
D-40704-UG	900 +40% -30%
G-40704-UG	1050 +40% -30%
K-40704-UG	455 min.
R-40704-UG	620 min.

CORE NO.	A _L (mH/1000T)
P-40704-UG	675 min.
F-40704-UG	1200 +40% -30%
J-40704-UG	1580 min.
W-40704-UG	3000 min. (B = 5G) 4970 Ref. nom.* (B = 628G)

FOR PREFERRED PARTS, SEE INSIDE BACK COVER

@1kHz, 100 Turns, 0.5 mA

GAPPED CORE DATA

CORE NO.	A _L (A)	μ _e	Typical Gap (in.)
**40704-A025	25	28	.014
**40704-A040	40	45.6	.009
**40704-A063	63	71.8	.008
**40704-A100	100	114	.003
**40704-A160	160	182	.001

**Add material code to part no.

Any practical gap is available.
See pages 1.6 and 1.7.

TEMPERATURE COEFFICIENTS

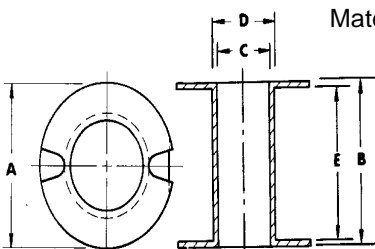
CORE NO.	TC _e (B)
A-40704-A025	28 – 84
A-40704-A040	46 – 137
A-40704-A063	72 – 215
D-40704-A100	103 – 240
D-40704-A160	164 – 382

CORE NO.	TC _e (B)
G-40704-A100	-80 to +80
G-40704-A160	-127 to +127

TC_e Values are based on -30°C to +70°C for D material and from +20°C to +70°C for G material.

STANDARD BOBBINS

Material: Glass-filled nylon (UL 94 VO rated)



PART NUMBER	DIMENSIONS IN INCHES					Nominal Winding Area Per Section		Average Length of Turn ft
	A MAX.	B MAX.	C MAX.	D MAX.	E NOM.	In ²	cm ²	
	B0704-01	.226	.108	.120	.144			

9mm x 5mm

DIMENSIONS

	inches	mm		inches	mm
A	.360 ± .006	9.14 ± .15	2D	.142 min.	3.61 min.
B	.106 ^{+.000} / _{-.005}	2.69 ^{+.000} / _{-.12}	E	.295 min.	7.49 min.
2B	.207 ± .005	5.26 ± .12	F	.153 max.	3.88 max.
C	.260 nom.	6.6 nom.	G	.070 min.	1.78 min.
D	.071 min.	1.80 min.	H	.079 ± .002	2.01 ± .05

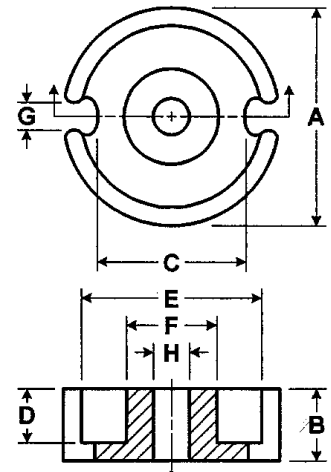
MAGNETIC DATA

MAGNETIC PATH LENGTH (cm)	1.25
EFFECTIVE AREA (cm ²)	.100
VOLUME (cm ³)	.125

NOTE: Minimum core area .081 cm²

CORE WEIGHT (grams per set)	1.0
Wa Ac ‡ (cm ⁴)	.0030

‡ Product of window area & core area, 1 sec. standard bobbin.



A_L VALUES FOR UNGAPPED CORES

CORE NO.	A _L (mH/1000T)
A-40905-UG	640 ± 25%
D-40905-UG	1200 ± 25%
G-40905-UG	1275 ± 25%
K-40905-UG	550 min.
R-40905-UG	760 min.

CORE NO.	A _L (mH/1000T)
P-40905-UG	825 min.
F-40905-UG	1365 ± 25%
J-40905-UG	2045 min.
W-40905-UG	4220 min. (B = 5G) 6030 Ref. nom.* (B = 506G)

*@1kHz, 100 Turns, 0.5 mA

This core is available as a low profile type.
2B = .120" (3.05 mm), 2D = .059" (1.50 mm).
Part no. is ** -40903-UG. Add material code at **.

GAPPED CORE DATA

CORE NO.	A _L (A)	μ _e	Typical Gap (in.)
** -40905-A025	25	23	.023
** -40905-A040	40	36.4	.016
** -40905-A063	63	57.4	.01
** -40905-A100	100	91	.006
** -40905-A160	160	145	.003

**Add material code to part no.

Any practical gap is available.
See pages 1.6 and 1.7.

TEMPERATURE COEFFICIENTS

CORE NO.	TC _e (B)
A-40905-A025	23 - 69
A-40905-A040	36 - 109
A-40905-A063	57 - 172
D-40905-A063	52 - 121
D-40905-A100	82 - 191
D-40905-A160	130 - 304

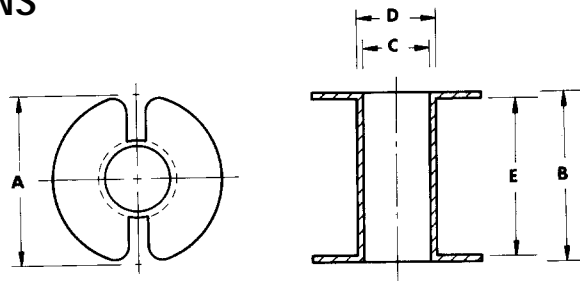
CORE NO.	TC _e (B)
G-40905-A063	-40 to + 40
G-40905-A100	-64 to + 64
G-40905-A160	-102 to + 102

TC_e values are based on - 30°C to + 70°C for D material and from +20°C to + 70°C for A and G materials.

**FOR PREFERRED PARTS, SEE
INSIDE BACK COVER**

9mm x 5mm

STANDARD BOBBINS



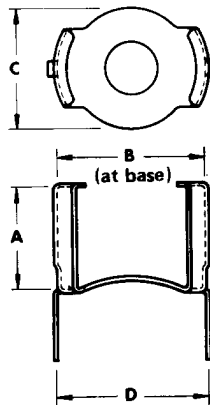
Material: Delrin
(UL 94 HB rated)

PART NUMBER	DIMENSIONS IN INCHES					Nominal Winding Area Per Section		Average Length of Turn ft
	A	B	C	D	E	in ²	cm ²	
	MAX.	MAX.	MIN.	MAX.	NOM.			
* B0905-01	.292	.139	.156	.204	.100	.0047	.03	.0633

*This bobbin available in a flame-retardant version, Material Crastin S660FR, PBT unreinforced, UL 94 V-0 rated. Part no. B0905-01FR.

MOUNTING CLAMPS

A and B are inside dimensions



Material: Phosphor bronze, .009 inches thick

(All dimensions in inches)

PART NUMBER	TAB DIM.		A NOM.	B NOM.	C NOM.	D ± .010
	LENGTH	WIDTH				
C0905-11	.173	.040	.224	.374	.315	.394

11mm x 7mm

DIMENSIONS

	inches	mm		inches	mm
A	.437 ± .008	11.1 ± .20	2D	.174 min.	4.42 min.
B	.128 ± .003	3.25 ± .076	E	.354 min.	8.99 min.
2B	.256 ± .006	6.50 ± .15	F	.185 max.	4.69 max.
C	.297 nom.	7.54 nom.	G	.070 min.	1.78 min.
D	.087 min.	2.21 min.	H	.081 ± .002	2.06 ± .05

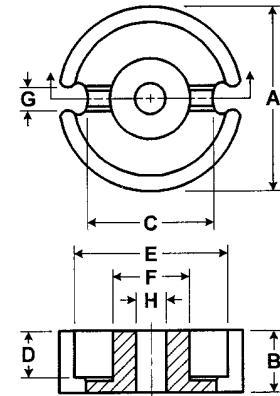
MAGNETIC DATA

MAGNETIC PATH LENGTH (cm)	1.54
EFFECTIVE AREA (cm ²)	.163
VOLUME (cm ³)	.251

NOTE: Minimum core area .133 cm²

CORE WEIGHT (grams per set)	1.8
Wa Ac ‡ (cm ⁴)	.00815

‡ Product of window area & core area, 1 sec. standard bobbin.



A_L VALUES FOR UNGAPPED CORES

CORE NO.	A _L (mH/1000T)	CORE NO.	A _L (mH/1000T)
A-41107-UG	900 ± 25%	P-41107-UG	1250 min.
D-41107-UG	1500 ± 25%	F-41107-UG	2000 ± 25%
G-41107-UG	1800 ± 25%	J-41107-UG	2925 min.
K-41107-UG	820 min	W-41107-UG	5750 min. (B = 5G) 8220 Ref. nom.* (B = 405G)
R-41107-UG	1150 min.		

*@1kHz, 100 Turns, 0.5 mA

GAPPED CORE DATA

CORE NO.	A _L (A)	μ _e	Typical Gap (in.)
**-41107-A025	25	19	.031
**-41107-A040	40	30	.026
**-41107-A063	63	47.3	.014
**-41107-A100	100	75	.010
**-41107-A160	160	120	.004
**-41107-A250	250	187	.003

**Add material code to part no.

Any practical gap is available.
See pages 1.6 and 1.7

TEMPERATURE COEFFICIENTS

CORE NO.	TC _e (B)
A-41107-A025	19 - 57
A-41107-A040	30 - 90
A-41107-A063	47 - 142
D-41107-A100	68 - 158
D-41107-A160	108 - 252
D-41107-A250	168 - 392

CORE NO.	TC _e (B)
G-41107-A100	-53 to +53
G-41107-A160	-84 to +84

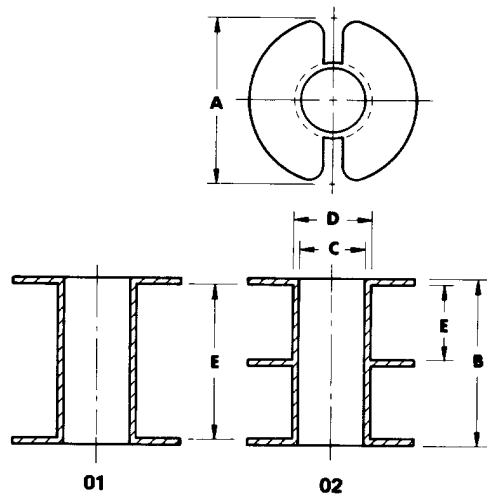
TC_e values are based on - 30° C to + 70° C for D material and from +20° C to + 70° C for A and G materials.

**FOR PREFERRED PARTS, SEE
INSIDE BACK COVER**

11mm x 7mm

STANDARD BOBBINS

Material: Delrin
(UL 94 HB rated)

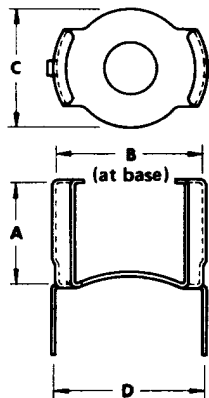


PART NUMBER	DIMENSIONS IN INCHES					Nominal Winding Area Per Section		Average Length of Turn ft
	A	B	C	D	E	in ²	cm ²	
	MAX.	MAX.	MIN.	MAX.	NOM.			
B1107-01	.351	.170	.188	.236	.131	.00785	.05	.0751
B1107-02	.351	.170	.188	.236	.057	.00342	.022	

MOUNTING CLAMPS

A and B are inside dimensions.

Material: Phosphor bronze, .010 inches thick

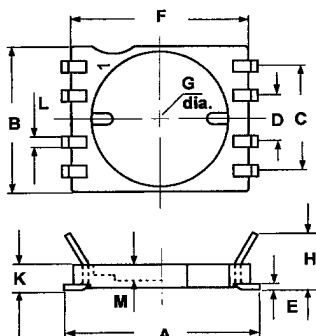


(All dimensions in inches)

PART NUMBER	TAB DIM.		A NOM.	B NOM.	C NOM.	D ± .010
	LENGTH	WIDTH				
C1107-11	.197	.047	.275	.452	.362	.492

SURFACE MOUNT HEADER

Material: Bobbin-Thermoset plastic (UL 94 V-0 rated).
Pins- Phosphor bronze, tin plated.

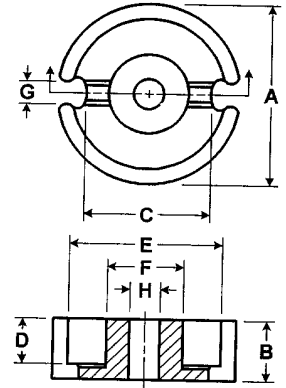


PART NUMBER	DIMENSIONS IN INCHES									
	A MAX.	B MAX.	C TYP.	D TYP.	E NOM.	F MAX.	G MIN.	K MAX.	L NOM.	M MIN.
SMH-1107-8A	.668	.502	.354	.157	.019	.600	.465	.084	.039	.050

14mm x 8mm

DIMENSIONS

	inches	mm		inches	mm
A	.553 ± .010	14 ± .25	2D	.220 min.	5.59 min.
B	.167 ^{+.000} / _{-.005}	4.24 ^{+.000} / _{-.13}	E	.457 min.	11.6 min.
2B	.334 ^{+.000} / _{-.011}	8.48 ^{+.000} / _{-.28}	F	.236 max.	5.99 max.
C	.376 nom.	9.6 nom.	G	.120 min.	3.05 min.
D	.110 min.	2.79 min.	H	.122 ± .003	3.1 ± .076



MAGNETIC DATA

MAGNETIC PATH LENGTH (cm)	1.97	CORE WEIGHT (grams per set)	3.2
EFFECTIVE AREA (cm ²)	.249	Wa Ac ‡ (cm ⁴)	.024
VOLUME (cm ³)	.49	‡ Product of window area & core area, 1 sec. standard bobbin.	

NOTE: Minimum core area. 197 cm²

A_L VALUES FOR UNGAPPED CORES

CORE NO.	A _L (mH/1000T)	CORE NO.	AL (mH/1000T)
A-41408-UG	1100 ± 25%	P-41408-UG	1680 min.
D-41408-UG	2100 ± 25%	F-41408-UG	2800 ± 25%
G-41408-UG	2250 ± 25%	J-41408-UG	3805 min.
K-41408-UG	1100 min.	W-41408-UG	6300 min. (B = 5G) 11,500 Ref. nom.* (B = 324G)
R-41408-UG	1540 min.		

*@1kHz, 100 Turns, 0.5 mA

GAPPED CORE DATA

CORE NO.	A _L (A)	μ _e	Typical Gap (in.)
**41408-A040	40	25.2	.047
**41408-A063	63	39.7	.023
**41408-A100	100	63	.013
**41408-A160	160	101	.008
**41408-A250	250	157	.004
**41408-A315	315	201	.003
**41408-A400	400	252	.003

TEMPERATURE COEFFICIENTS

CORE NO.	TC _e (B)
A-41408-A040	25 - 75
A-41408-A063	40 - 119
A-41408-A100	63 - 189
D-41408-A063	36 - 84
D-41408-A100	57 - 132
D-41408-A160	91 - 212
D-41408-A250	141 - 330
D-41408-A315	181 - 422
D-41408-A400	227 - 529

CORE NO.	TC _e (B)
G-41408-A063	-28 to +28
G-41408-A100	-44 to +44
G-41408-A160	-71 to +71
G-41408-A250	-110 to +110
G-41408-A315	-141 to +141
G-41408-A400	-176 to +176

**Add material code to part no.

Any practical gap is available.
See pages 1.6 and 1.7.

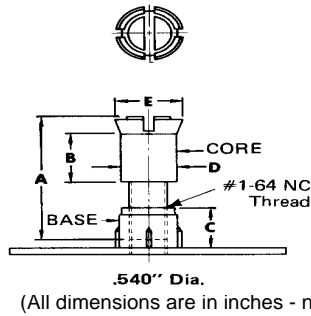
TC_e values are based on - 30°C to + 70°C for D material and from +20°C to + 70°C for A and G materials.

**FOR PREFERRED PARTS, SEE
INSIDE BACK COVER**

14mm x 8mm

TUNING ASSEMBLY DIMENSIONS

Screw Material: Polpropylene
Base Material: Celcon

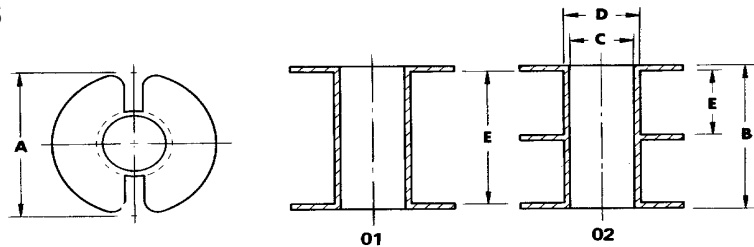


MAXIMUM TUNING RANGE		
A _L	TC-A1408-B1	TC-A1408-C3
63	30%	-
100	15%	40%
160	10%	27%
250	6%	15%
315	5%	12%
400	-	9%

For these A _L values:	PART NUMBER	COLOR	A	B	C	D	E
63, 100, 160	TC-A1408-B1 TB-A1408	Core Base Blue White	.261	.079	.096	.102	.132
250, 315, 400	TC-A1408-C3 TB-A1408	Core Base Black White	.302	.120	.096	.109	.132

STANDARD BOBBINS

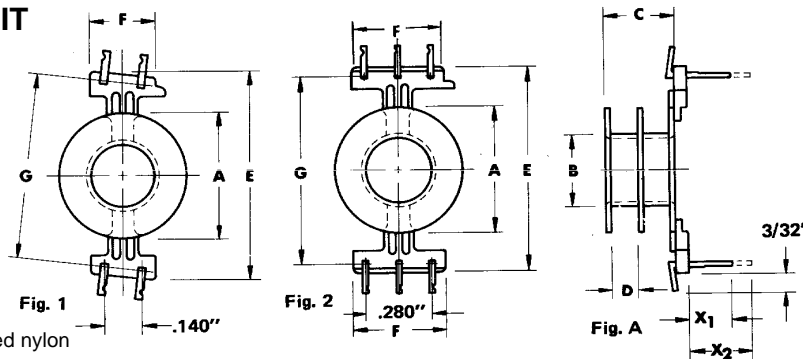
Material: Delrin
(UL 94 HB rated)



PART NUMBER	DIMENSIONS IN INCHES					Nominal Winding Area Per Section		Average Length of Turn ft
	A MAX.	B MAX.	C MIN.	D MAX.	E NOM.	in ²	cm ²	
	B1408-01 B 1408-02	.454	.217	.239	.287	.178	.0153	.098
	.454	.217	.239	.287	.080	.00688	.044	

This bobbin available in a flame-retardant version, Material Crastin S660FR, PBT unreinforced, UL 94 V-0 rated. Partno.B1408-02FR.

PRINTED CIRCUIT BOBBINS



Bobbin Material: Glass-filled nylon
(UL 94 V-0 rated)
Pin Material: Tin coated brass

See page 5.7 for bobbin assembly

NOTE: When ordering, insert suffix of pin length desired, (*1 or *2) nto part no.

PART NUMBER	DIMENSIONS IN INCHES											Nominal Winding Area Per Section		Average Length of Turn ft			
	Basic Bobbin Size	Pin Length	Sections	A MAX.	B MAX.	C MAX.	D NOM.	E NOM.	F MAX.	G NOM.	* X1 NOM.	* X2 NOM.	(1) Y1 NOM.		(1) Y2 NOM.	in ²	cm ²
	(Fig. PC-B1408 - * 1A) PC-B1408 - * 2		1	2	.453	.280	.213	.175	.748	.232	.638	.187	.281	.061	.155	.013	.084
(Fig. PC-B1408 - * 2A) One Section only		3	1	.453	.280	.213	.175	.748	.420	.638	-	.281	.061	.155	.013	.084	.095

* { If short pin (X1) is desired, part no. is -11 or -12. (Fig.A)
If long pin (X2) is desired, part no. is -21 or -22. (Fig.A)

(1) Y-Pin length available under board for soldering, using spring clip mounting (on 1/16" board).

14mm x 8mm

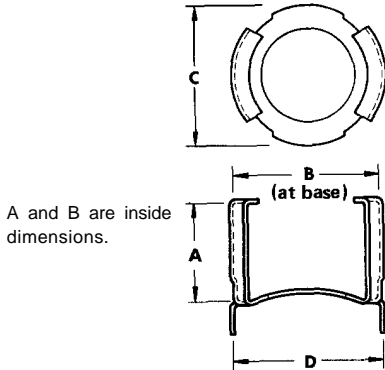
MOUNTING CLAMPS

Material: Spring Steel, .011 inches thick

Mounting Brackets are made to allow for tuning adjusters. If these adjusters are not used, a polypropylene washer must be inserted to take up the extra space.

The part number and dimensions of the washer are:

Part Number	Diameter	Thickness
W-1408-15	.540 ± .008"	.015"

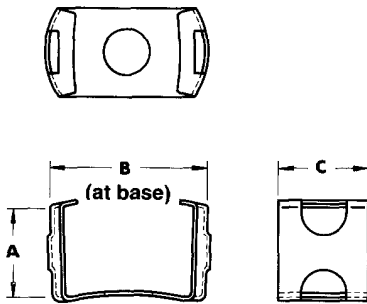


(All dimensions in inches)

PART NUMBER	TAB DIM.		A NOM.	B NOM.	C NOM.	D ±.010
	LENGTH	WIDTH				
C1408-11	.156	.080	.380	.570	.520	.520

(All dimensions are in inches)

PART NUMBER	A NOM.	B NOM.	C NOM.
C1408-RS	.350	.550	.315

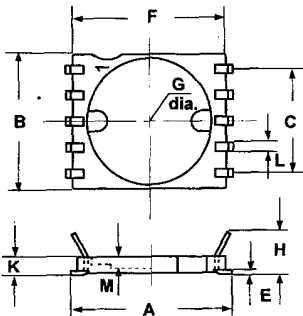


Material: Stainless steel

NOTE: If tuning assembly is used, this clamp will not fit over core.

SURFACE MOUNT HEADER

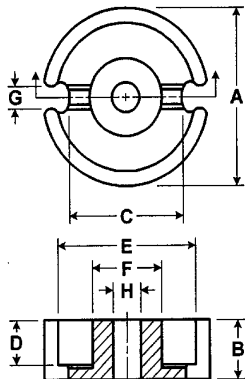
Material: Bobbin-Thermoset plastic (UL 94 V-0 rated).
Pins- Phosphor bronze, tin plated.



DIMENSIONS IN INCHES

PART NUMBER	A	B	C	E	F	G	K	L	M
	MAX.	MAX.	TYP.	NOM.	MAX.	MIN.	MAX.	NOM.	MIN.
SMH-1408-TA	.787	.620	.472	.019	.719	.565	.084	.039	.050

18mm x 11mm



DIMENSIONS

	inches	mm		inches	mm
A	.709 ± .015	18 ± .381	2D	.284 min.	7.2 min.
B	.210 + .000 - .005	5.33 + .000 - .127	E	.590 min.	14.98 min.
2B	.420 + .000 - .010	10.67 + .000 - .254	F	.299 max.	7.59 max.
C	.515 nom.	13.08 nom.	G	.162 min.	4.1 min.
D	.142 min.	3.6 min.	H	.122 ± .003	3.10 ± .076

MAGNETIC DATA

MAGNETIC PATH LENGTH (cm)	2.59
EFFECTIVE AREA (cm ²)	.429
VOLUME (cm ³)	1.11

CORE WEIGHT (grams per set)	7.3
Wa Ac ‡ (cm ⁴)	.073

‡ Product of window area & core area, 1 sec. standard bobbin.

NOTE: Minimum core area .360 cm²

A_L VALUES FOR UNGAPPED CORES

CORE NO.	A _L (mH/1000T)
A-41811-UG	1500 ± 25%
D-41811-UG	3000 ± 25%
G-41811-UG	3650 ± 25%
K-41811-UG	1620 min.
R-41811-UG	2300 min.

CORE NO.	A _L (mH/1000T)
P-41811-UG	2500 min.
F-41811-UG	4000 ± 25%
J-41811-UG	5625 min.
W-41811-UG	8400 min. (B = 5G) 16,500 Ref. nom.* (B = 261G)

*@1kHz, 100 Turns, 0.5 mA

GAPPED CORE DATA

CORE NO.	A _L (A)	μ _e	Typical Gap (in.)
**-41811-A040	40	19.2	.08
**-41811-A063	63	30.2	.046
**-41811-A100	100	48	.026
**-41811-A160	160	76.7	.015
**-41811-A250	250	120	.008
**-41811-A315	315	151	.006
**-41811-A400	400	192	.005
**-41811-A630	630	302	.003

TEMPERATURE COEFFICIENTS

CORE NO.	TC _e (B)
A-41811-A040	19 - 57
A-41811-A063	30 - 91
A-41811-A100	48 - 144
D-41811-A063	27 - 63
D-41811-A100	43 - 101
D-41811-A160	69 - 161
D-41811-A250	108 - 252
D-41811-A315	136 - 317
D-41811-A400	173 - 403
D-41811-A630	272 - 634

CORE NO.	TC _e (B)
G-41811-A063	-21 to +21
G-41811-A100	-34 to +34
G-41811-A160	-54 to +54
G-41811-A250	-84 to +84
G-41811-A315	-106 to +106
G-41811-A400	-134 to +134
G-41811-A630	-211 to +211

**Add material code to part no.

Any practical gap is available.
See pages 1.6 and 1.7.

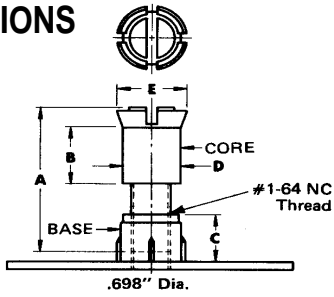
TC_e values are based on -30°C to +70°C for D material and from +20°C to +70°C for A and G materials.

**FOR PREFERRED PARTS, SEE
INSIDE BACK COVER**

18mm x 11mm

TUNING ASSEMBLY DIMENSIONS

Screw Material: Delrin
Base Material: Polypropylene

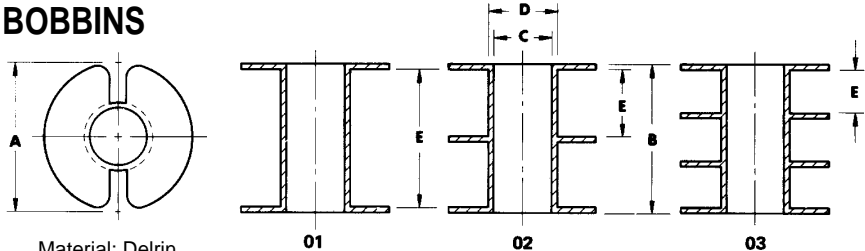


(All dimensions are in inches - nominal)

For these A _L values:	PART NUMBER	COLOR	A	B	C	D	E	
100, 160	TC-A1811-B1	Core	Yellow	.354	.146	.118	.102	.132
250, 315	TB-P1811	Base	Black					
160, 250,	TC-A1812-C2	Core	Green	.341	.150	.118	.105	.132
315, 400	TB-P1811	Base	Black					

MAXIMUM TUNING RANGE		
A _L	TC-A1811-B1	TC-A1812-C2
100	30%	-
160	20%	25%
250	12%	16%
315	10%	13%
400	-	9%

STANDARD BOBBINS

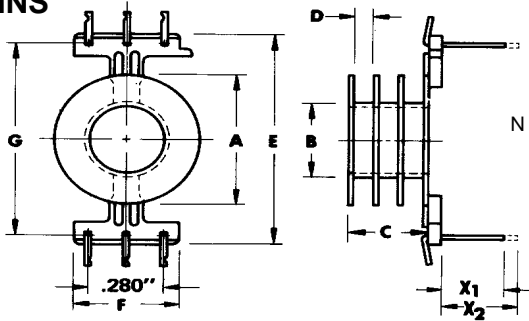


Material: Delrin
(UL 94 HB rated)

≠ These bobbins available in a flame-retardant version, Material Crastin S660FR, PBT unreinforced, UL 94 V-0 rated.
Parts nos. B1811-01FR, B1811-02FR.

PART NUMBER	DIMENSIONS IN INCHES					Nominal Winding Area Per Section		Average Length of Turn ft
	A MAX.	B MAX.	C MIN.	D MAX.	E NOM.	in ²	cm ²	
	≠ B1811-01	.587	.281	.302	.350	.240	.02645	
≠ B1811-02	.587	.281	.302	.350	.111	.01315	.084	
B1811-03	.587	.281	.302	.350	.068	.00755	.049	

PRINTED CIRCUIT BOBBINS



Note: When ordering, insert suffix of pin length desired, (1 or 2) into part no. Pin=.030" wide (typical).

Bobbin Material: Glass filled nylon
(UL 94 V-0 rated except PC-B1811-23 which is UL 94 HB rated)
Pin Material: Tin coated brass

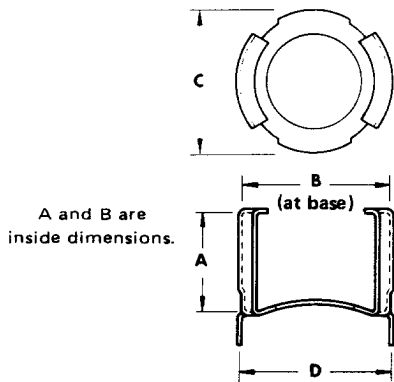
See page 5.7 for bobbin assembly

PART NUMBER			DIMENSIONS IN INCHES										Nominal Winding Area Per Section		Average Length of Turn ft	
Basic Bobbin Size-	Pin Length	Sec-tions	A MAX.	B MAX.	C MAX.	D NOM.	E NOM.	F MAX.	G NOM.	* X ₁ NOM.	* X ₂ NOM.	(1) Y ₁ NOM.	(1) Y ₂ NOM.	in ²		cm ²
			PC-B1811 - * 1						.238							
PC-B1811 - * 2			.583	.347	.277	.110	.937	.402	.848	.187	.281	.057	.151	.010	.064	.121
PC-B1811 - * 3						.068								.006	.039	

* { If short pin (x) is desired, part no. is -11, -12, or -13.
If long pin (x) is desired, part no. is -21, -22, or -23.

(1) Y-Pin length available under board for soldering, using spring clip mounting (on 1/16" board).

18mm x 11mm MOUNTING CLAMPS



Material: Spring Steel, .011 inches thick

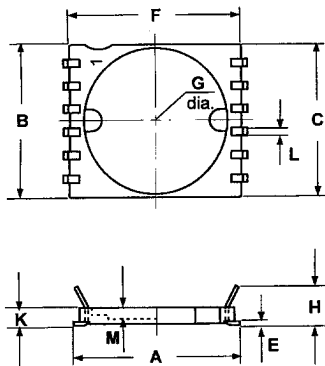
Mounting Brackets are made to allow for tuning adjuster. If these adjusters are not used, a polypropylene washer must be inserted to take up extra space. The part number and dimensions of the washer are:

Part Number	Diameter	Thickness
W-1811-18	.700 ± .008"	.020"

(All dimensions in inches)

PART NUMBER	TAB DIM.		A NOM.	B NOM.	C NOM.	D ± .020
	LENGTH	WIDTH				
C1811-11	.156	.080	.460	.730	.660	.650

SURFACE MOUNT HEADER



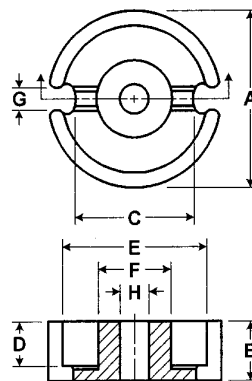
Material: Bobbin-Thermoset plastic (UL 94 V-0 rated).
Pins- Phosphor bronze, tin plated.

PART NUMBER	DIMENSIONS IN INCHES								
	A MAX.	B MAX.	C TYP.	E NOM.	F MAX.	G MIN.	K MAX.	L NOM.	M MIN.
SMH-1811-LA	.952	.778	.580	.019	.884	.722	.084	.039	.050

22mm x 13mm

DIMENSIONS

	inches	mm		inches	mm
A	.851 ± .015	21.6 ± .38	2D	.362 min.	9.2 min.
B	.264 ± .004	6.7 ± .10	E	.705 min.	17.9 min.
2B	.528 ± .008	13.4 ± .20	F	.370 max.	9.40 max.
C	.590 nom.	15 nom.	G	.118 min.	2.99 min.
D	.181 min.	4.59 min.	H	.179 ± .004	4.55 ± .10



MAGNETIC DATA

MAGNETIC PATH LENGTH (cm)	3.12
EFFECTIVE AREA (cm ²)	.639
VOLUME (cm ³)	2.00

CORE WEIGHT (grams per set)	13
Wa Ac ‡ (cm ⁴)	.187

‡ Product of window area & core area, 1sec. Standard bobbin.

Note: Minimum core area .509 cm²

A_L VALUES FOR UNGAPPED CORES

CORE NO.	A _L (mH/1000T)
A-42213-UG	1800 ± 25%
D-42213-UG	3600 ± 25%
G-42213-UG	4600 ± 25%
K-42213-UG	2120 min.
R-42213-UG	3030 min

CORE NO.	A _L (mH/1000T)
P-42213-UG	3300 min.
F-42213-UG	4900 ± 25%
J-42213-UG	6825 min.
W-42213-UG	11,200 min. (B = 5G) 19,500 Ref. nom.* (B = 217G)

*@1kHz, 100 Turns, 0.5 mA

GAPPED CORE DATA

CORE NO.	A _L (A)	μ _e	Typical Gap (in.)
**42213-A063	63	25.1	.072
**42213-A100	100	39.8	.035
**42213-A160	160	63.5	.021
**42213-A250	250	99.5	.014
**42213-A315	315	125	.009
**42213-A400	400	159	.006
**42213-A630	630	250.7	.004

TEMPERATURE COEFFICIENTS

CORE NO.	TC _e (B)
A-42213-A063	25 - 75
A-42213-A100	40 - 119
A-42213-A160	63 - 191
A-42213-A250	100 - 298
D-42213-A160	57 - 134
D-42213-A250	90 - 209
D-42213-A315	112 - 262
D-42213- A400	143 - 334
D-42213-A630	226 - 526

CORE NO.	TC _e (B)
G-42213-A160	-45 to + 45
G-42213-A250	-70 to + 70
G-42213-A315	-88 to + 88
G-42213-A400	-111 to + 111
G-42213-A630	-175 to + 175

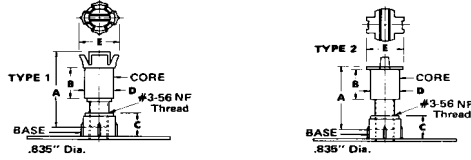
**Add material code to part no.

Any practical gap is available.
See pages 1.6 and 1.7.

TC_e values are based on - 30°C to + 70°C for D material and from +20°C to + 70°C for A and G materials.

**FOR PREFERRED PARTS, SEE
INSIDE BACK COVER**

22mm x 13mm TUNING ASSEMBLY DIMENSIONS



Material: screw: Polypropylene
base: Polyoxymethylene

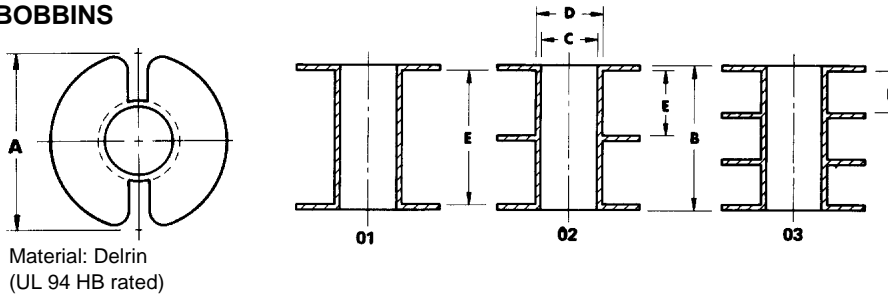
(All dimensions are in inches - nominal)

For these A _L values:	PART NUMBER		TYPE NO.	COLOR	A	B	C	D	E
100, 160, 250, 315	TC-G2213-C2 TB-P2213	Core Base	1	Black Black	.471	.169	.160	.146	.206
250, 315, 400	TC-F2213-B1 TB-P2213	Core Base	2	Red Black	.396	.169	.160	.160	.190

Flangeless base is also available. See page 8.10.

MAXIMUM TUNING RANGE		
A _L	TC-G2213-C2	TC-F2213-B1
100	24%	-
160	21%	-
250	14%	25%
315	11%	20%
400	-	15%

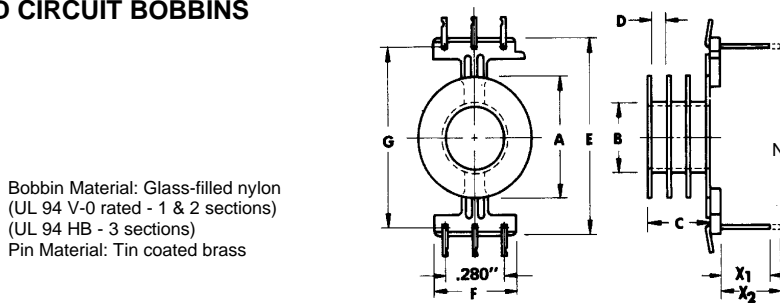
STANDARD BOBBINS



≠ This bobbin available in a flame-retardant version, Material Crastin S660FR, PBT unreinforced, UL 94 V-0 rated. Part no. B2213-01FR.

PART NUMBER	DIMENSIONS IN INCHES					Nominal Winding Area Per Section		Average Length of Turn ft
	A MAX.	B MAX.	C MIN.	D MAX.	E NOM.	in ²	cm ²	
B2213-01	.702	.359	.373	.421	.320	.0453	.292	.145
B2213-02	.702	.359	.373	.421	.151	.0214	.138	
B2213-03	.702	.359	.373	.421	.095	.0135	.087	

PRINTED CIRCUIT BOBBINS

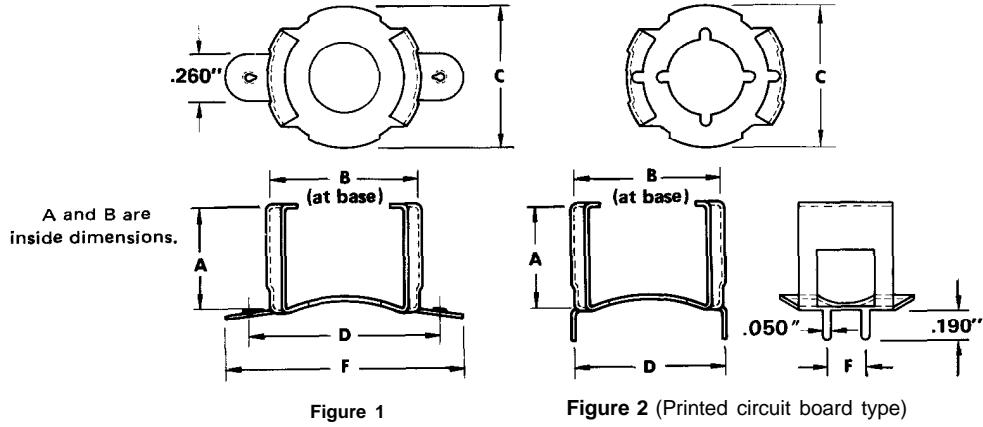


See page 5.7 for bobbin assembly

PART NUMBER			DIMENSIONS IN INCHES											Nominal Winding Area Per Section		Average Length of Turn ft
Basic Bobbin Size	Pin Length h	Sections	A MAX.	B MAX.	C MAX.	D NOM.	E MAX.	F MAX.	G NOM.	* X ₁ NOM.	* X ₂ NOM.	(1) Y ₁ NOM.	(1) Y ₂ NOM.	in ²	cm ²	
PC-B2213-	* 1					.307								.043	.28	.144
PC-B2213-	* 2		.701	.421	.354	.145	1.071	.402	.990	.187	.281	.023	.117	.02	.13	
PC-B2213-	* 3					.091								.013	.08	

⌋ If short pin (X₁) is desired, part no. is -11, -12, or -13.
⌋ If long pin (X₂) is desired, part no. is -21, -22, or -23.

(1) Y-Pin length available under board for soldering, using spring clip mounting (on 1/16" board).



Material: Spring Steel, .014 inches thick

Mounting Brackets are made to allow for tuning adjusters. If these adjusters are not used, a polypropylene washer must be inserted to take up extra space.

The part number and dimensions of the washer are:

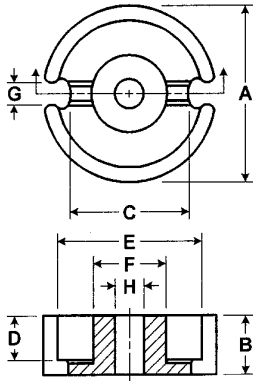
Part Number	Diameter	Thickness
W-2213-24	.840 ± .008"	.025"

(All dimensions in inches)

PART NUMBER	FIGURE	A NOM.	B NOM.	C NOM.	D ± .020	F NOM.
C2213-14 (1)	1	.585	.876	.820	1.100	1.300
P-C2213-14	2	.585	.876	.820	.846	.141

(1) Mounting Holes (Figure 1) = #4-40 Machine Screw Impressions.

26mm x 16mm



DIMENSIONS

	inches	mm		inches	mm
A	1.004 ± .020	25.5 ± .51	2D	.434 min.	11.02 min.
B	.317 ± .004	8.05 ± .010	E	.835 min.	21.21 min.
2B	.634 ± .008	16.1 ± .20	F	.452 max.	11.48 max.
C	.710 nom.	18 nom.	G	.162 min.	4.11 min.
D	.217 min.	5.51 min.	H	.219 ± .004	5.56 ± .10

MAGNETIC DATA

MAGNETIC PATH LENGTH (cm)	3.76	CORE WEIGHT (grams per set)	20
EFFECTIVE AREA (cm ²)	.931	Wa Ac ‡ (cm ²)	.392
VOLUME (cm ³)	3.50	‡ Product of window area & core area, 1 sec. bobbin.	

NOTE: Minimum core area .751 cm²

A_L VALUES FOR UNGAPPED CORES

CORE NO.	A _L (mH/1000T)	CORE NO.	A _L (mH/1000T)
A-42616-UG	2300 ± 25%	P-42616-UG	4250 min.
D-42616-UG	4900 ± 25%	F-42616-UG	6350 ± 25%
G-42616-UG	5600 ± 25%	J-42616-UG	8775 min.
K-42616-UG	2730 min.	W-42616-UG	14,000 min. (B = 5G) 24,500 Ref. nom.* (B = 184G)
R-42616-UG	3910 min.		

*@1kHz, 100 Turns, 0.5 mA

GAPPED CORE DATA

CORE NO.	A _L (A)	H _e	Typical Gap (in.)
**-42616-A100	100	32.4	.060
**-42616-A160	160	52	.033
**-42616-A250	250	81	.020
**-42616-A315	315	102	.013
**-42616-A400	400	130	.011
**-42616-A630	630	204	.006
**-42616-X000	1000	324	.004

TEMPERATURE COEFFICIENTS

CORE NO.	TC _e (B)
A-42616-A100	32 - 97
A-42616-A160	52 - 156
A-42616-A160	47 - 109
D-42616-A250	72 - 170
D-42616-A315	92 - 214
D-42616-A400	117 - 273
D-42616-A630	183 - 428
D-42616-X000	292 - 680

CORE NO.	TC _e (B)
G-42616-A250	-56 to +56
G-42616-A315	-71 to +71
G-42616-A400	-91 to +91
G-42616-A630	-143 to +143
G-42616-X000	-226 to +226

**Add material code to part no.

Any practical gap is available.
See pages 1.6 and 1.7

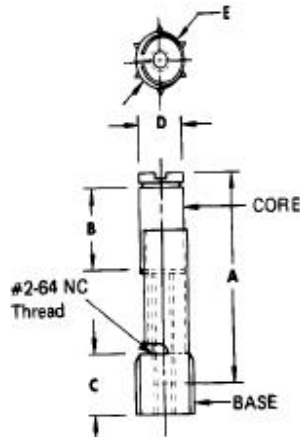
TC_e Values are based on - 30°C to + 70°C for D material and from +20°C to + 70°C for A and G material.

**FOR PREFERRED PARTS, SEE
INSIDE BACK COVER**

26mm x 16mm

TUNING ASSEMBLY DIMENSIONS

Material: screw: Polypropylene
base: Polypropylene



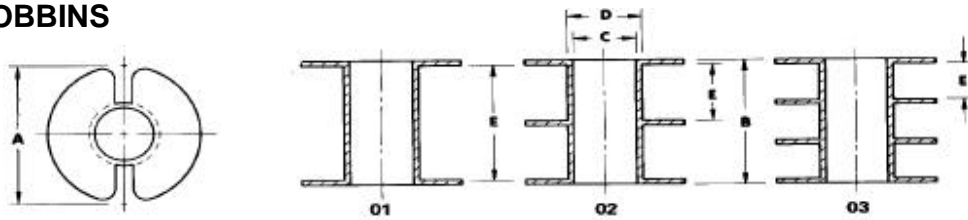
(All dimensions are in inches - nominal)

For these A _L values	PART NUMBER	COLOR	A	B	C	D	E	
160, 250, 315, 400	TC-F2800-B1 TB-P6690	Core Base	Red Clear	.610	.280	.210	.174	.205

MAXIMUM TUNING RANGE	
AL	
160	20%
250	12%
315	10%
400	7%

STANDARD BOBBINS

Material: Delrin
(UL 94 HB rated)

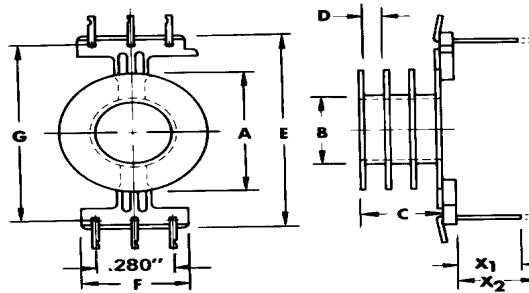


#	PART NUMBER	DIMENSIONS IN INCHES					Nominal Winding Area Per Section		Average Length of Turn ft
		A	B	C	D	E	in ²	cm ²	
		MAX.	MAX.	MIN.	MAX.	NOM.			
B2616-01	.832	.430	.455	.503	.391	.0653	.421	.173	
B2616-02	.832	.430	.455	.503	.187	.0314	.202		
B2616-03	.832	.430	.455	.503	.119	.0199	.128		

≠ This bobbin available in a flame-retardant version, Material Crastin S660FR, PBT unreinforced, UL 94 V-0 rated. Part no. B2616-01 FR.

PRINTED CIRCUIT BOBBINS

Bobbin Material: Glass-filled nylon
(UL 94 v-0 rated – 1&2 sections)
(UL 94 HB – 3 sections)
Pin Material: Tin coated brass



NOTE: When ordering, insert suffix of pin length desired, (*1 or *2) into part no.

See page 5.7 for bobbin assembly

PART NUMBER		DIMENSIONS IN INCHES											Nominal Winding Area Per Section		Average Length of Turn ft	
Basic Bobbin Size	Pin Length	Sec-tions	A MAX.	B MAX.	C MAX.	D NOM.	E NOM.	F MAX.	G NOM.	* X ₁ NOM.	* X ₂ NOM.	(1) Y ₁ NOM.	(1) Y ₂ NOM.	in ²		cm ²
PC-B2616 - * 2.			.823	.504	.425	.180	1.208	.402	1.131	.187	.281	.042	.136	.028	.19	.174
PC-B2616 - * 3						.114								.018	.12	

* { If short pin (X₁) is desired, part no. is -11, -12, or -13.
If long pin (X₂) is desired, part no. is -21, -22, or -23.

(1) Y-Pin length available under board for soldering, using spring clip mounting (on 1/16" board).

26mm x 16mm MOUNTING CLAMPS

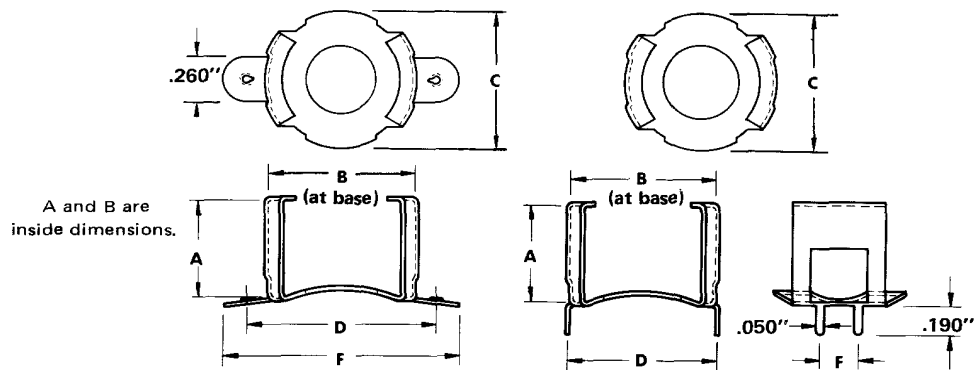


Figure 1

Figure 2 (Printed circuit board type)

Material: Spring Steel, .014 inches thick

(All dimensions in inches)

PART NUMBER	FIGURE	A NOM.	B NOM.	C NOM.	D ±.020	F NOM.
C2616-14 ⁽¹⁾	1	.655	1.035	.830	1.292	1.512
P-C2616-14	2	.655	1.035	.830	.97	.200

(1) Mounting Holes (Figure 1) = #4-40 Machine Screw Impressions

30mm x 19mm

DIMENSIONS

	inches	mm		inches	mm
A	1.181 ± .020	30 ± .51	2D	.512 min.	13.0 min.
B	.370 ± .004	9.4 ± .10	E	.984 min.	25.0 min.
2B	.740 ± .008	18.8 ± .20	F	.532 max.	13.5 max.
C	.874 nom.	22.2 nom.	G	.152 min.	3.8 min.
D	.256 min.	6.5 min.	H	.219 ± .004	5.56 ± .10

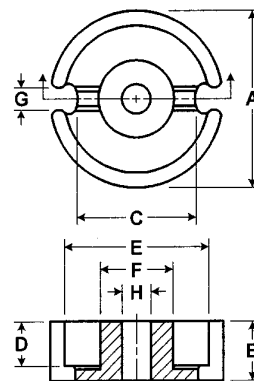
MAGNETIC DATA

MAGNETIC PATH LENGTH (cm)	4.50
EFFECTIVE AREA (cm ²)	1.36
VOLUME (cm ³)	6.12

CORE WEIGHT (grams per set)	34
Wa Ac ‡ (cm ⁴)	.737

‡ Product of window area & core area, 1 sec. standard bobbin.

NOTE: Minimum core area 1.15 cm²



A_L VALUES FOR UNGAPPED CORES

CORE NO.	A _L (mH/1000T)
A-43019-UG	2800 ± 25%
D-43019-UG	6200 ± 25%
G-43019-UG	7000 ± 25%
K-43019-UG	3480 min.
R-43019-UG	5010 min.

CORE NO.	A _L (mH/100T)
P-43019-UG	5450 min.
F-43019-UG	8100 ± 25%
J-43019-UG	10,200 min.
W-43019-UG	18,750 min. (B = 5G) 32,000 Ref. nom.* (B = 165G)

*@1kHz, 100 Turns, 0.5 mA

GAPPED CORE DATA

CORE NO.	A _L (A)	H ₀	Typical Gap (in.)
**43019-A315	315	85.7	.022
**43019-A400	400	109	.016
**43019-A630	630	171.5	.009
**43019-X000	1000	272	.005
**43019-X250	1250	340	.004

**Add material code to part no.

Any practical gap is available.
See pages 1.6 and 1.7.

TEMPERATURE COEFFICIENTS

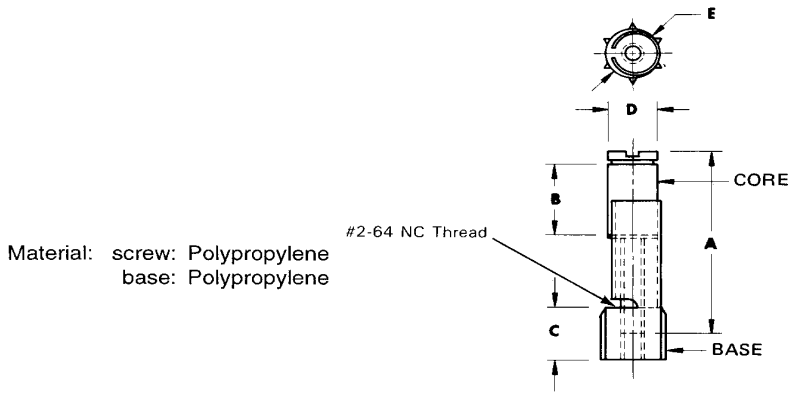
CORE NO.	TC ₀ (B)
D-43019-A315	77 - 180
D-43019-A400	98 - 229
D-43019-A630	154 - 360
D-43019-X000	245 - 571
D-43019-X250	306 - 714

CORE NO.	TC ₀ (B)
G-43019-A315	-60 to +60
G-43019-A400	-76 to +76
G-43019-A630	-120 to +120
G-43019-X000	-190 to +190
G-43019-X250	-238 to +238

TC₀ values are based on - 30°C to + 70°C for D material and from +20°C to + 70°C for G material.

**FOR PREFERRED PARTS, SEE
INSIDE BACK COVER**

30mm x 19mm TUNING ASSEMBLY DIMENSIONS

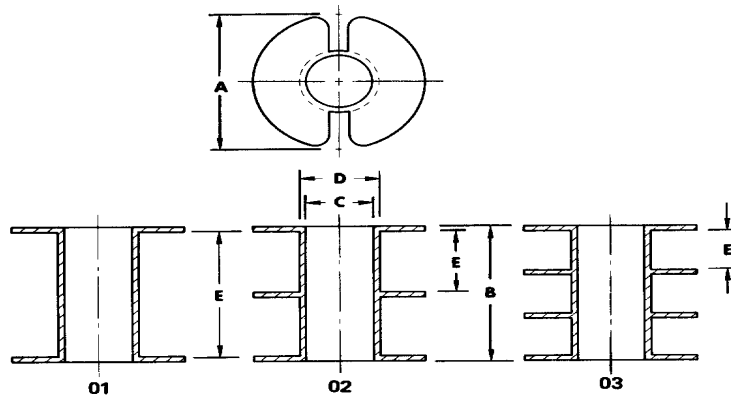


(All dimensions are in inches - nominal)

For these A ₁ values:	PART NUMBER	COLOR	A	B	C	D	E	
160, 250, 400, 630	TC-F2800-B1 TB-P6690	Core Base	Red Clear	.610	.280	.210	.174	.205

MAXIMUM TUNING RANGE	
AL	
160	25%
250	18%
400	10%
630	7%

STANDARD BOBBINS



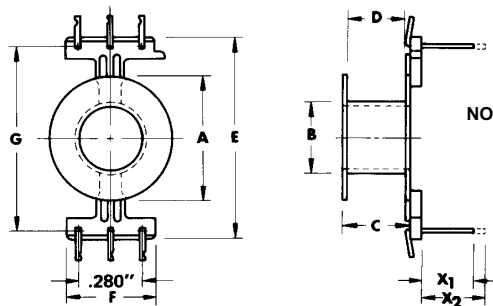
Material: Delrin
(UL 94 HB rated)

PART NUMBER	DIMENSIONS IN INCHES					Nominal Winding Area Per Section		Average Length of Turn ft
	A	B	C	D	E	in ²	cm ²	
	MAX.	MAX.	MIN.	MAX.	NOM.			
B3019-01	.981	.509	.534	.592	.460	.0840	.542	.204
B3019-02	.981	.509	.534	.592	.219	.0394	.254	
B3019-03	.981	.509	.534	.592	.138	.0246	.159	

PRINTED CIRCUIT BOBBINS

30mm x 19mm

Bobbin Material: Glass-filled nylon
(UL 94 V-0 rated)
Pin Material: Tin coated brass



NOTE: When ordering, insert suffix of pin length desired, (*1 or *2) into part no.

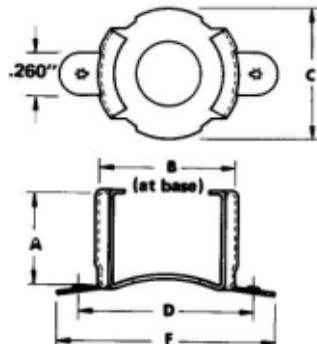
See page 5.7 for bobbin assembly

PART NUMBER			DIMENSIONS IN INCHES										Nominal Winding Area Per Section		Average Length of Turn	
Basic Bobbin Size	Pin Length	Sec tions	A	B	C	D	E	F	G	* X ₁	* X ₂	(1) Y ₁	(1) Y ₂	in ²	cm ²	ft
			MAX.	MAX.	MAX.	NOM.	MAX.	MAX.	NOM.	NOM.	NOM.	NOM.	NOM.			
PC-B3019-	* 1	1	.982	.586	.507	.460	1.502	.402	1.414	.187	.281	.017	.111	.09	.58	.197

* { If short pin (X1) is desired, part no. is -11
If pin (X2) is desired, part no. is -21

(1) Y-Pin length available under board for soldering, using spring clip mounting (on 1/16" board).

MOUNTING CLAMPS



A and B are inside dimensions.

Material: Spring Steel, .017 inches thick

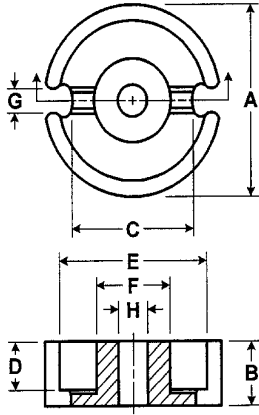
Mounting Holes = # 6 - 32 Machine Screw Impressions

(All dimensions in Inches)

PART NUMBER	A NOM.	B NOM.	C NOM.	D ± .02	F NOM.
C3019-17	.800	1.210	1.125	1.520	1.740

36mm x 22mm

DIMENSIONS



	inches	mm		inches	mm
A	1.402 ± .020	35.6 ± .51	2D	.574 min.	14.6 min.
B	.433 + .000 - .011	11 + .000 - .28	E	1.177 min.	29.9 min.
2B	.866 + .000 - .023	22 + .000 - .58	F	.634 max.	16.1 max.
C	1.055 nom.	26.8 nom.	G	.169 min.	4.3 min.
D	.287 min.	7.3 min.	H	.219 ± .004	5.56 ± .10

MAGNETIC DATA

MAGNETIC PATH LENGTH (cm)	5.29	CORE WEIGHT (grams per set)	57
EFFECTIVE AREA (cm ²)	2.02	Wa Ac ‡ (cm ⁴)	1.53
VOLUME (cm ³)	10.7	‡ Product of window area & core area, 1 sec. standard bobbin.	

NOTE: Minimum core area 1.74 cm²

A_L VALUES FOR UNGAPPED CORES

CORE NO.	A _L (mH/1000T)
D-43622-UG	7875 ± 25%
G-43622-UG	9000 ± 25%
R-43622-UG	6530 min.
P-43622-UG	7100 min.

CORE NO.	A _L (mH/1000T)
F-43622-UG	10,200 ± 25%
J-43622-UG	13,125 min.
W-43622-UG	24,500 min. (B = 5G) 39,000 Ref. nom. * (B = 137G)

*@1kHz, 100 Turns, 0.5 mA

GAPPED CORE DATA

CORE NO.	A _L (A)	H _e	Typical Gap (in.)
**-43622-A400	400	87.6	.025
**-43622-A630	630	138	.014
**-43622-X000	1000	219	.010
**-43622-X250	1250	273	.006
**-43622-X600	1600	350	.004

**Add material code to part no.

TEMPERATURE COEFFICIENTS

CORE NO.	TC _e (B)
D-43622-A400	79 - 184
D-43622-A630	124 - 290
D-43622-X000	197 - 460
D-43622-X250	245 - 573
D-43622-X600	315 - 735

CORE NO.	TC _e (B)
G-43622-A400	-61 to +61
G-43622-A630	-97 to +97
G-43622-X000	-153 to +153
G-43622-X250	-191 to +191
G-43622-X600	-245 to +245

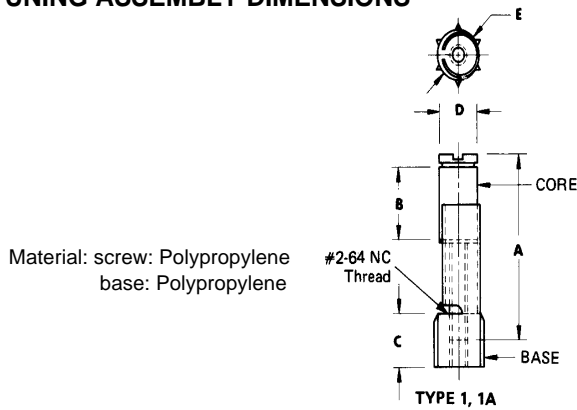
TC_e values are based on - 30°C to + 70°C for D material and from +20°C to + 70°C for G material.

Any practical gap is available.
See pages 1.6 and 1.7.

**FOR PREFERRED PARTS, SEE
INSIDE BACK COVER**

TUNING ASSEMBLY DIMENSIONS

36 mm x 22 mm



(All dimensions are in inches - nominal)

For these A ₁ values:	PART NUMBER	TYPE NO.	COLOR	A	B	C	D	E
160, 250	TC-F2800-B1 TB-P6690	Core Base 1	Red Clear	.610	.280	.210 (Recess .055")	.174	.205
400, 630	TC-F4000-B1 TB-P6690	Core Base 1A	Blue Clear	.770	.400	.210	.174	.205

MAXIMUM TUNING RANGE		
AL	Type 1	Type 1A
160	23%	—
250	17%	—
400	—	13%
630	—	7%

BOBBINS

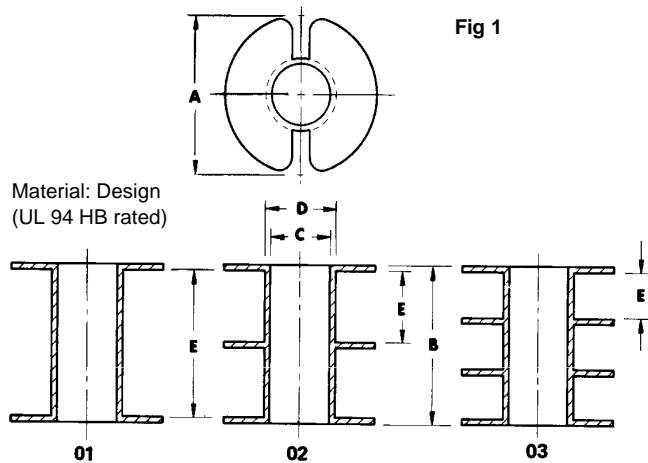
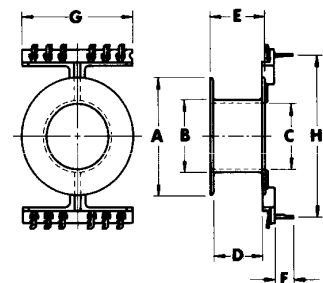
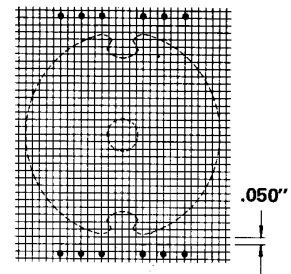


Fig 1

Fig 2



	PART NUMBER	DIMENSIONS IN INCHES *								Nominal Winding Area Per Section		Average Length of Turn ft
		A	B	C	D	E	F	G	H	in ²	cm ²	
		MAX.	MAX.	MIN.	MAX.	NOM.						
Fig. 1	B3622-01	1.172	.570	.639	.711	.511				.117	.755	.244
	B3622-02	1.172	.570	.639	.711	.242				.0554	.357	
	B3622-03	1.172	.570	.639	.711	.152				.0348	.225	
Fig. 2*	PC-B3622-11	1.175	.710	.637	.506	.570 max.	.220	1.150	1.600	.117	.755	.244

*Figure 2 dimensions are nominal, except where noted.

MOUNTING CLAMPS

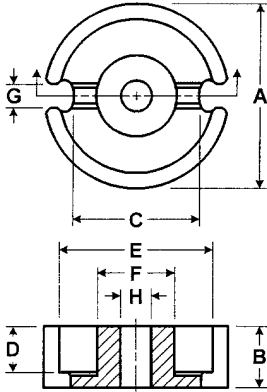
For mounting clamps for this core size, please see page 7.8.

(Clamp not usable with PC bobbin)

42mm x 29mm

DIMENSIONS

	inches	mm		inches	mm
A	1.669 ±.028	42.4 ± .71	2D	.804 min.	20.4 min.
B	.582 ± .008	14.8 ± .20	E	1.402 min.	35.6 min.
2B	1.164 ±.016	29.6 ± .41	F	.697 max.	17.7 max.
C	1.260 nom.	32 nom.	G	.177 min.	4.49 min.
D	.402 min.	10.2 min.	H	.219 ±.004	5.56 ±.10



MAGNETIC DATA

MAGNETIC PATH LENGTH (cm)	6.85
EFFECTIVE AREA (cm ²)	2.66
VOLUME (cm ³)	18.2

CORE WEIGHT (grams per set)	104
Wa Ac ‡ (cm ⁴)	3.69

‡ Product of window area & core area, 1 sec. Standard bobbin.

NOTE: Minimum core area 2.13 cm²

A_L VALUES FOR UNGAPPED CORES

CORE NO.	A _L (mH/1000T)
D-44229-UG	8000 ±25%
G-44229-UG	9200 ±25%
R-44229-UG	6900 min.
P-44229-UG	7500 min.

CORE NO.	A _L (mH/1000T)
F-44229-UG	12,000 ±25%
J-44229-UG	15,000 min.
W-44229-UG	28,000 min. (B= 5G) 55,000 Ref. nom.* (B= 127G)

*@1kHz, 100 Turns, 0.5 mA

GAPPED CORE DATA

CORE NO.	AL (A)	μe	Typical Gap (in.)
**-44229-A400	400	81	.034
**-44229-A630	630	127	.020
**-44229-X000	1000	202	.011

TEMPERATURE COEFFICIENTS

CORE NO.	T _{Ce} (B)
D-44229-A400	73 - 170
D-44229-A630	114 - 267
D-44229-X000	182 - 424

CORE NO.	T _{Ce} (B)
G-44229-A400	-57 to +57
G-44229-A630	-89 to +89
Q-44229-X000	-141 to +141

**Add material code to part no.

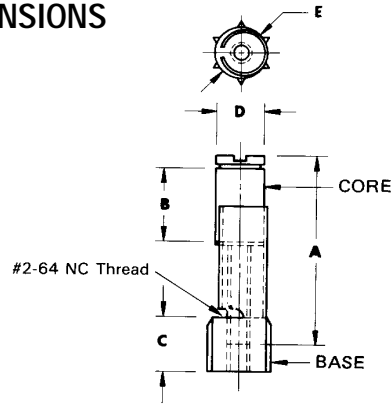
Any practical gap is available.
See pages 1.6 and 1.7.

T_{Ce} values are based on - 30°C to + 70°C for D material and from +20°C to + 70°C for G material.

**FOR PREFERRED PARTS, SEE
INSIDE BACK COVER**

TUNING ASSEMBLY DIMENSIONS

42 mm x 29mm



Material:
 screw: Polypropoylene
 base: Polypropoylene

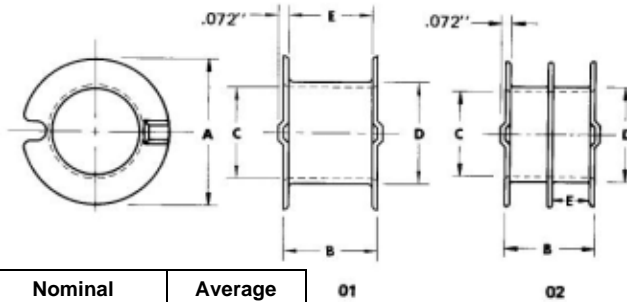
MAXIMUM TUNING RANGE		
A _L	Type 1	Type 2
160	19%	-
250	15%	-
400	-	18%
630	-	13%
1000	-	7%

(All dimensions are in inches - nominal)

For these A _L values:	PART NUMBER		TYPE NO.	COLOR	A	B	C	D	E
160, 250	TC-F2800-B1 TB-P6690	Core Base	1	Red Clear	.610	.280	.210	.174	.205
400,630, 1000	TC-F4000-B1 TB-P6690	Core Base	2	Blue Clear	.770	.400	.210	.174	.205

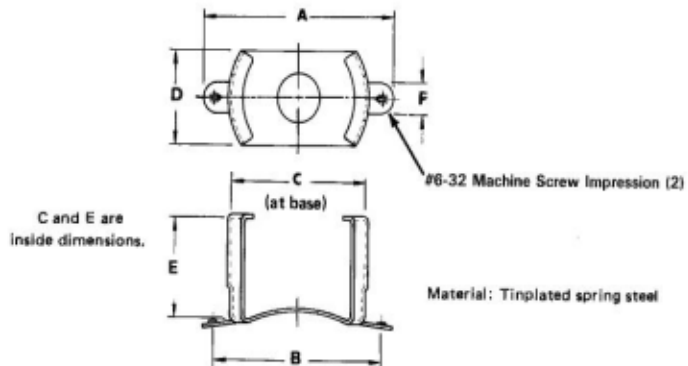
STANDARD BOBBINS

Material: Delrin
 (UL 94 HB rated)



PART NUMBER	DIMENSIONS IN INCHES					Nominal Winding Area Per Section		Average Length of Turn ft
	A MAX.	B MAX.	C MIN.	D MAX.	E NOM.	in ²	cm ²	
	B4229-01	1.394	.788	.708	.776	.701	.215	
B4229-02	1.394	.788	.708	.776	.331	.097	.63	.282

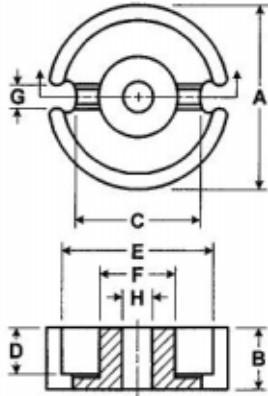
MOUNTING CLAMPS



(All dimensions are in inches - nominal)

	PART NUMBER	A	B	C	D	E	F
With tab	C4229-17	2.220	2.000	1.700	1.000	1.233	.260

45mm × 29mm



DIMENSIONS

	inches	mm		inches	mm
A	1.772 ± .035	45.0 ± .9	2D	.740 min.	18.8 min.
B	.575 ± .004	14.6 ± .10	E	1.438 min.	36.5 min.
2B	1.150 ± .008	29.2 ± .20	F	.814 max.	20.7 max.
C	1.299 ± .020	32.99 ± .51	G	.177 min.	4.49 min.
D.	.370 min	9.4 min.	H	.219 ± .005	5.56 ± .13

MAGNETIC DATA

MAGNETIC PATH LENGTH (cm)	6.72
EFFECTIVE AREA (cm ²)	3.60
VOLUME (cm ³)	24.2

CORE WEIGHT (grams per set)	149.6
Wa Ac ‡ (cm ⁴)	3.85

‡ Product of window area & core area, 1 sec. standard bobbin.

NOTE: Minimum core area 2.99 cm²

A_L VALUES FOR UNGAPPED CORES

CORE NO.	A _L (mH/1000T)
D-44529-UG	9500 ± 25%
G-44529-UG	11,000 ± 25%
R-44529-UG	9660 min.
P-44529-UG	10,500 min.

CORE NO.	A _L (mH/1000T)
F-44529-UG	14,300 ± 25%
J-44529-UG	18,750 min.
W-44529-UG	35,000 min. (B = 5G) 55,000 Ref. nom.* (B = 108G)

*@1kHz, 100 Turns, 0.5 mA

GAPPED CORE DATA

CORE NO.	A _L (A)	H _e	Typical Gap (in.)
**-44529-A630	630	97	.021
**-44529-X000	1000	150	.011
**-44529-X250	1250	185	.008
**-44529-X600	1600	235	.0055

**Add material code to part no

TEMPERATURE COEFFICIENTS

CORE NO.	TC _e (B)
D-44529-A630	87 - 204
D-44529-X000	135 - 315
D-44529-X250	166 - 389
D-44529-X600	211 - 494

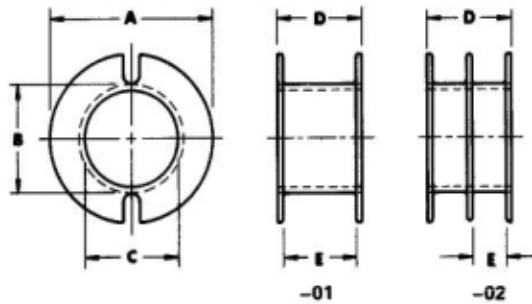
CORE NO.	TC _e (B)
G-44529-A630	-68 to +68
G-44529-X000	-105 to +105
G-44529-X250	-130 to +130
G-44529-X600	-165 to +165

TC_e values are based on - 30°C to + 70°C for D material and from +20°C to + 70°C for G material.

Any practical gap is available.
See pages 1.6 and 1.7.

FOR PREFERRED PARTS, SEE INSIDE BACK COVER

STANDARD BOBBINS



Material: Glass-filled nylon
(UL 94 aHB)

PART NUMBER	DIMENSIONS IN INCHES					Nominal Winding Area Per Section		Average Length of Turn ft
	A	B	C	D	E	in ²	cm ²	
	NOM.	NOM.	MIN.	NOM.	NOM.			
B4529-01	1.420	.900	.822	.732	.640	.167	1.07	.308
B4529-02	1.420	.900	.822	.732	.300	.078	.50	.308

Section 7.

RS, DS Cores (Power Pot Cores)

RS (round-slab) cores are modified pot cores (sides removed) offering all the advantages of pot cores for filter applications, plus the following added features for power applications:

1. 8, 10, & 12 PIN PRINTED CIRCUIT BOBBINS.
2. ROUND BOBBIN & COMPACT WINDING TO MINIMIZE WIRE LOSSES.
3. HEAVY WIRE CAPABILITY.
4. EASY MOUNTING VIA BOLT THROUGH THE CENTER-POST HOLE, OR AVAILABLE MOUNTING CLIPS.
5. MULTIPLE TAP CAPABILITY.
6. COMPACT PACKAGING ON PC BOARD.
7. EASY, LOW-COST ASSEMBLY.

RS geometry is ideal for low and medium power transformers and switched-mode power supplies operating between 10 KHz and 100 KHz, combining the advantages of pot cores and E cores.

RS cores are readily available, gapped or ungapped, in seven sizes and six materials, D, G, F, J, P, & W. Two of these sizes are better known as Touch-Tone cores (42311 and 42318.)

For a description of the part number code, see page 1.3.

For power application design notes, please see Section 4.

DS cores are double-slab cores which are available in 6 sizes, but can also be combined with rounds (of Pot Core Section 6) to provide an RS combination. A summary of RS or DS combination appears here:

Core size	RS Combination	DS Combination
mm mm 14 x 8 ⁽¹⁾	Standard (see p. 7.2)	—
23 x 11 ⁽²⁾	Standard (see p. 7.4)	See page 7.8
23 x 18 ⁽²⁾	Standard (see p. 7.5)	See page 7.8
30 x 19	Standard (see p. 7.6)	See page 7.8
26 x 16	Page 6.16 — round ⁽²⁾ Page 7.8 — slab (see note)	See page 7.8
36 x 22	Page 6.22 — round ⁽²⁾ Page 7.8 — slab (see note)	See page 7.8
42 x 29	Page 6.24 — round ⁽²⁾ Page 7.8 — slab (see note)	See page 7.8

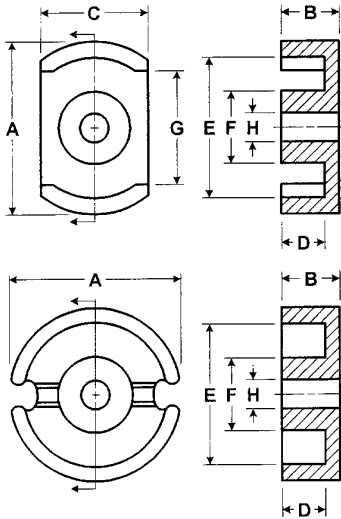
(1) With Center Hole Only
(2) Round not available with solid center post.

Note: To order, put "S" in front of part number.
E.g., SD-42616-UG

14mm x 8mm (RS)

DIMENSIONS

	inches	mm		inches	mm
A	.553 ± 0.10	14 ± .25	2D	.220 min.	5.58 min.
B	.167 + .000 - .005	4.24 + .000 - .13	E	.457 min.	11.6 min.
2B	.334 + .000 - .011	8.48 + .000 - .28	F	.236 max.	5.99 max.
C	.370 ± .006	9.4 ± .15	G	.300 min.	7.6 min.
D	.110 min.	2.8 min.	H	.122 ± .003	3.1 ± .076



MAGNETIC DATA

MAGNETIC PATH LENGTH (cm)	2.02
EFFECTIVE AREA (cm ²)	.23
VOLUME (cm ³)	.46

CORE WEIGHT (grams per set)	2.85
Wa Ac ‡ (cm ⁴)	.019

‡ Product of window area & core area, 1 sec. Standard bobbin.

NOTE: Minimum core area .192 cm²

A_L VALUES FOR UNGAPPED CORES

CORE NO.	A _L (mH/1000T)
SA-41408-UG	990 ±25%
SD-41408-UG	1800 ±25%
SG-41408-UG	2070 min.
SK-41408-UG	940 min.
SR-41408-UG	1320 min.
SP-41408-UG	1435 min.

CORE NO.	A _L (mH/1000T)
SF-41408-UG	12,000 ±25%
SJ-41408-UG	15,000 min.
SW-41408-UG	28,000 min. (B= 5G) 55,000 Ref. nom.* (B= 127G)

*@1kHz, 100 Turns, 0.5 mA

GAPPED CORE DATA

CORE NO.	A _L (A)	μe	Typical Gap (in.)
S**-41408-A063	63	45	.025
S**-41408-A100	100	72	.014
S**-41408-A160	160	115	.008
S**-41408-A250	250	180	.004

**Add material code to part no.

Any practical gap is available.
See pages 1.6 and 1.7.

TEMPERATURE COEFFICIENTS

CORE NO.	T _{Ce} (B)
SD-41408-A063	41 - 95
SD-41408-A100	65 - 151
SD-41408-A160	104 - 242
SD-41408-A250	162 - 378

CORE NO.	T _{Ce} (B)
SD-41408-A063	-32 to + 32
SD-41408-A100	-50 to + 50
SD-41408-A160	-80 to + 80
SD-41408-A250	-126 to + 126

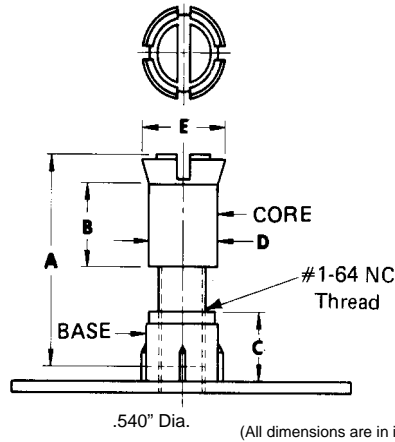
T_{Ce} values are based on - 30°C to + 70°C for D material and from +20°C to + 70°C for G material.

**FOR PREFERRED PARTS, SEE
INSIDE BACK COVER**

14mm × 8mm (RS)

TUNING ASSEMBLY DIMENSIONS

Screw Material: Polypropiene
Base Material: Celcon



For these AL values:

PART NUMBER	COLOR	A	B	C	D	E
63, 100, 160	Blue White	.261	.079	.096	.102	.132
250, 315, 400	Black White	.302	.120	.096	.109	.132

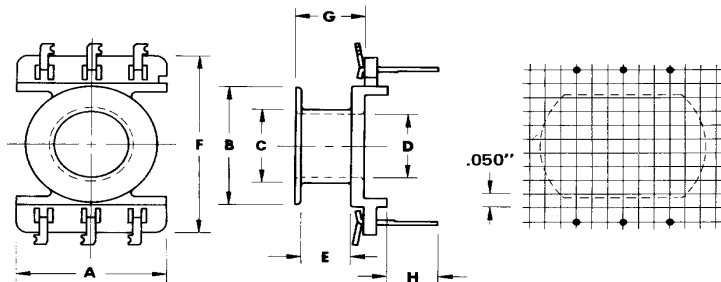
(All dimensions are in inches - nominal)

MAXIMUM TUNING RANGE		
AL	TC-A1408-B1	TC-A1408-C3
63	30%	—
100	15%	40%
160	10%	27%
250	6%	15%
315	5%	12%
400	—	9%

Note: If a printed circuit bobbin is used, a portion of the base flange must be trimmed to avoid interference

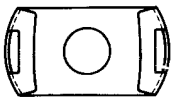
PRINTED CIRCUIT BOBBINS

Material: Glass-filled nylon
(UL 94 V-O rated)
Terminal Pins: Phosphor bronze,
Tin coated
.042" x .015"

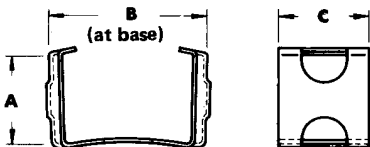


PART NUMBER	DIMENSIONS IN INCHES								Nominal Winding Area		Average Length of Turn ft.
	A REF.	B MAX.	C MAX.	D MIN.	E NOM.	F REF.	G MAX.	H NOM.	in ²	cm ²	
	PC-B1408-61	.503	.454	.287	.239	.160	.653	.216	.188	.013	

MOUNTING CLAMPS



Material: Stainless steel



(All dimensions are in inches)

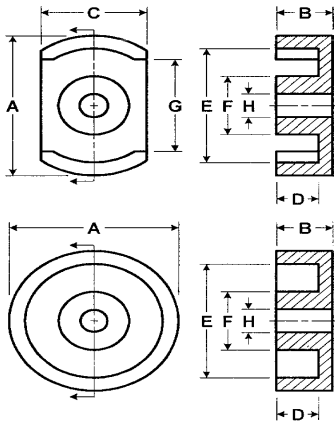
PART NUMBER	A NOM.	B NOM.	C NOM.
C1408-RS	.350	.550	.315

NOTE: If tuning assembly is used, this clamp will not fit over core.

23mm × 11mm (RS)

DIMENSIONS

	inches	mm		inches	mm
A	.900 ± .018	22.9 ± .46	2D	.286 min.	7.26 min.
B	.218 ± .005	5.54 ± .13	E	.706 min.	17.94 min.
2B	.436 ± .010	11.08 ± .25	F	.390 max.	9.9 max.
C	.600 ± .010	15.2 ± .25	G	.520 min.	13.2 min.
D	.143 min.	3.63 min.	H	.200 ± .004	5.08 ± .10



Standard core set as shown.

2-1-00

NOTE: Part numbers are modified with "S" prefix.

MAGNETIC DATA

MAGNETIC PATH LENGTH (cm)	2.65
EFFECTIVE AREA (cm ²)	.58
VOLUME (cm ³)	1.54

CORE WEIGHT (grams per set)	11.65
Wa Ac ‡ (cm ⁴)	.092

‡ Product of window area & core area, 1 sec. standard bobbin.

NOTE: Minimum core area .378 cm²

AL VALUES FOR UNGAPPED CORES

CORE NO.	AL (mH/1000T)
SD-42311-UG	4200 ± 25%
SG-42311-UG	4800 ± 25%
SK-42311-UG	2080 min.
SR-42311-UG	2950 min.

CORE NO.	AL(mH/1000T)
SP-42311-UG	3210 min.
SF-42311-UG	5200 ± 25%
SJ-42311-UG	6300 min.
SW-42311-UG	11,250 min.

GAPPED CORE DATA

CORE NO.	AL (A)	μ _e	Typical Gap (in.)
S**-42311-A160	160	51	.024
S**-42311-A250	250	80	.014
S**-42311-A315	315	101	.010
S**-42311-A400	400	128	.007

**Add material code to part no.

Any practical gap is available
See pages 1.6 and 1.7.

TEMPERATURE COEFFICIENTS

CORE NO.	TC _e (B)
SD-42311-A160	46 - 107
SD-42311-A250	72 - 168

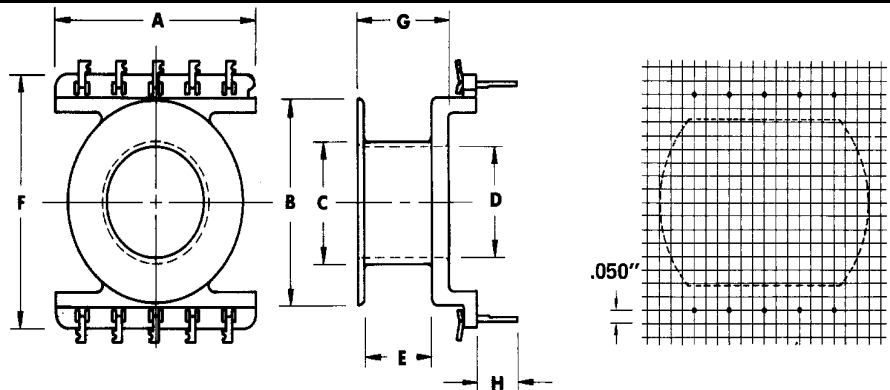
CORE NO.	TC _e (B)
SD-42311-A315	91 - 212
SD-42311-A400	115 - 269

TC_e values are based on - 30°C to + 70°C for D material and from +20°C to + 70°C for G material.

FOR PREFERRED PARTS, SEE INSIDE BACK COVER

PRINTED CIRCUIT BOBBINS

Material: Glass-filled nylon
(UL 94 V-O rated)
Terminal Pins: Phosphor bronze,
tin coated
.042" x .015"



PART NUMBER	DIMENSIONS IN INCHES								Nominal Winding Area		Average Length of Turn ft
	A MAX.	B MAX.	C MAX.	D MIN.	E NOM.	F MAX.	G MAX.	H NOM.	in ²	cm ²	
	PC-B2311-T1	.780	.700	.450	.395	.203	.915	.270	.220	.025	

Clamps are not available. Cores may be cemented or bolted (with non-magnetic materials) to mounting surface.

DIMENSIONS

23mm x 18mm (RS)

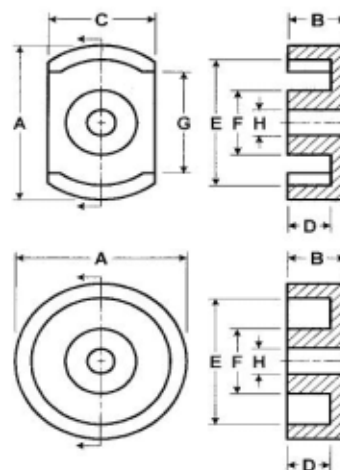
	inches	mm		Inches	Mm
A	.900 ± .018	22.9 ± .46	2D	.546 min.	13.87 min.
B	.355 ± .007	9 ± .18	E	.706 min.	17.94 min.
2B	.710 ± .014	18 ± .36	F	.390 max.	9.9 max.
C	.600 ± .010	15.2 ± .25	G	.520 min.	13.2 min.
D	.273 min	6.93 min.	H	.200 ± .004	5.08 ± .10

MAGNETIC PATH LENGTH (cm)	3.86
EFFECTIVE AREA (cm ²)	.60
VOLUME (cm ³)	2.32

CORE WEIGHT (grams per set)	17.4
Wa Ac ‡ (cm ⁴)	.221

‡ Product of window area & core area, 1 sec. standard bobbin.

NOTE: Minimum core area .407 cm²



Standard core set as shown.

(Round not available with solid center post)

A_L VALUES FOR UNGAPPED CORES

CORE NO.	A _L (mH/1000T)
SD-42318-UG	2625 ± 25%
SG-42318-UG	3060 ± 25%
SK-42318-UG	1610 min.
SR-42318-UG	2300 min.

CORE NO.	A _L (mH/1000T)
SP-42318-UG	2500 min.
SF-42318-UG	4000 ± 25%
SJ-42318-UG	4800 min.
SW-42318-UG	8400 min.

2-1-00

NOTE: Part numbers are modified with "S" prefix

GAPPED CORE DATA

CORE NO.	AL (A)	μ _s	Typical Gap (in.)
S**-42318-A160	160	77	.025
S**-42318-A250	250	120	.014
S**-42318-A315	315	151	.011
S**-42318-A400	400	192	.008

**Add material code to part no.

TEMPERATURE COEFFICIENTS

CORE NO.	TC (B)
SD-42318-A160	69 - 162
SD-42318-A250	108 - 252

CORE NO.	TC (B)
SD-42318-A315	136 - 317
SD-42318-A400	173 - 403

TC_v values are based on - 30°C to + 70°C for D material and from +20°C to + 70°C for G material.

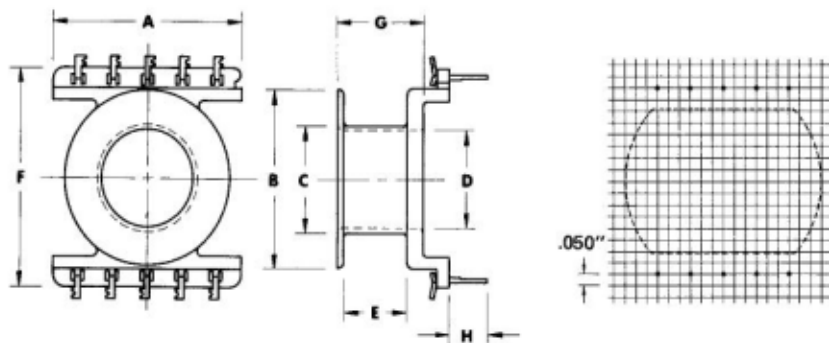
Any practical gap is available
See pages 1.6 and 1.7.

FOR PREFERRED PARTS, SEE INSIDE BACK COVER

PRINTED CIRCUIT BOBBINS

Material: Glass-filled nylon
(UL 94 V-O rated)

Terminal Pins: Phosphor bronze,
tin coated
.042" X .015"

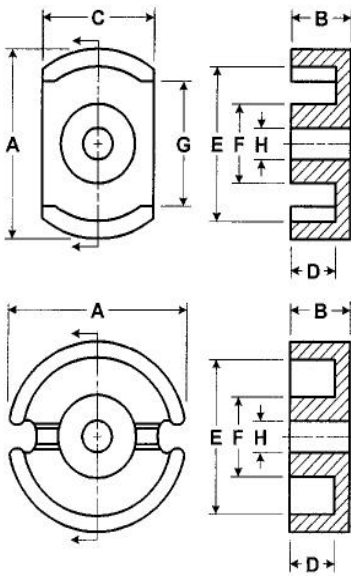


PART NUMBER	DIMENSIONS IN INCHES								Nominal Winding Area		Average Length of Turn ft.
	A	B	C	D	E	F	G	H	in ²	cm ²	
	MAX.	MAX.	MAX.	MIN.	NOM.	MAX.	MAX.	NOM.			
PC-B2318-T1	.910	.700	.449	.395	.468	.900	.538	.218	.057	.368	.143

Clamps are not available. Cores may be cemented or bolted (with non-magnetic materials) to mounting surface.

30mm × 19mm (RS)

DIMENSIONS



	inches	mm		inches	mm
A	1.181 ± .020	30 ± .51	2D	.512 min.	13.0 min.
B	.370 ± .004	9.4 ± .10	E	.984 min.	25 min.
2B	.740 ± .008	18.7 ± .2	F	.532 max.	13.5 max.
C	.800 ± .010	20.3 ± .25	G	.610 min.	15.5 min.
D	.256 min.	6.5 min.	H	.219 ± .004	5.56 ± .10

MAGNETIC DATA

MAGNETIC PATH LENGTH (cm)	4.56
EFFECTIVE AREA (cm ²)	1.23
VOLUME (cm ³)	5.61

CORE WEIGHT (grams per set)	30.95
Wa Ac ‡ (cm ⁴)	.632

‡ Product of window area & core area, 1 sec. standard bobbin

NOTE: Minimum core area .96 cm²

A_L VALUES FOR UNGAPPED CORES

CORE NO.	A _L (mH/1000T)
SD-43019-UG	5200 ±25%
SG-43019-UG	6000 ±25%
SK-43019-UG	2900 min.
SR-43019-UG	4150 min.
SP-43019-UG	4520 min.

CORE NO.	A _L (mH/1000T)
SF-43019-UG	6700 ±25%
SJ-43019-UG	8360 min.
SW-43019-UG	13,000 min. (B = 5G) 30,000 Ref. nom.* (B = 140G)

*@1kHz, 100 Turns, 0.5mA

Standard core set as shown.

GAPPED CORE DATA

CORE NO.	A _L (A)	μ _e	Typical Gap (in.)
S**-43019-A250	250	73	.023
S**-43019-A315	315	93	.018
S**-43019-A400	400	117	.014
S**-43019-A630	630	184	.009
S**-43019-X000	1000	291	.005

**Add material code to part no.

Any practical gap is available. See pages 1.6 and 1.7.

TEMPERATURE COEFFICIENTS

CORE NO.	TC _e (B)
SD-43019-A250	66 - 153
SD-43019-A315	84 - 195
SD-43019-A400	105 - 246
SD-43019-A630	166 - 386
SD-43019-X000	262 - 611

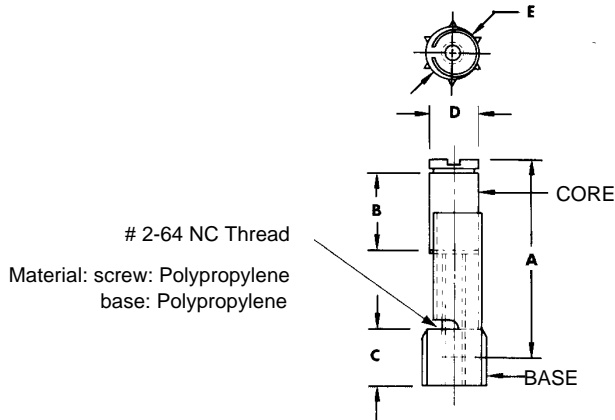
CORE NO.	TC _e (B)
SG-43019-A250	-51 to +51
SG-43019-A315	-65 to +65
SG-43019-A400	-82 to +82
SG-43019-A630	-129 to +129
SG-43019-X000	-204 to +204

TC_e values are based on -30°C to +70°C for D material and from +20°C to +70°C for G material.

**FOR PREFERRED PARTS, SEE
INSIDE BACK COVER**

30mm × 19mm (RS)

TUNING ASSEMBLY DIMENSIONS



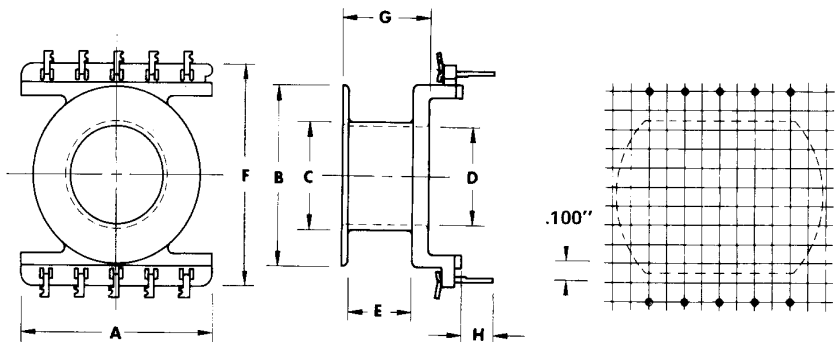
(All dimensions are in inches nominal)

For these A _L values:	PART NUMBER		COLOR	A	B	C	D	E
250, 400, 630	TC-F2800-B1 TB-P6690	Core Base	Red Clear	.600	.280	.210	.174	.205

MAXIMUM TUNING RANGE	
AL	
250	18%
400	10%
630	7%

PRINTED CIRCUIT BOBBINS

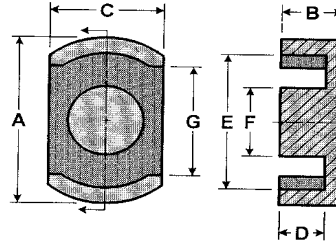
Material: Glass-filled nylon
(UL 94 V-O rated)
Terminal Pins: Phosphor bronze,
tin coated
.042" x .015"



PART NUMBER	DIMENSION IN INCHES								Nominal Winding Area		Average Length of Turn ft.
	A MAX.	B MAX.	C MAX.	D MIN.	E NOM.	F MAX.	G MAX.	H NOM.	in ²	cm ²	
	PC-B3019-T1	1.110	.975	.588	.534	.423	1.185	.503	.188	.08	

DS Cores

(also available with center hole)
(note c)



PHYSICAL DIMENSIONS

PART NUMBER (1)		A	B	2B	C	D (min.)	2D (min.)	E (min.)	F (max.)	G (min.)
D*-42311-UG	in mm	.900 ± .018 22.86 ± .46	.218 ± .005 5.54 ± .13	.436 ± .010 11.08 ± .26	.600 ± .010 15.24 ± .25	.143 3.63	.286 7.26	.706 17.93	.390 9.90	.520 13.21
D*-42318-UG	in mm	.900 ± .018 22.86 ± .46	.355 ± .007 9 ± .18	.710 ± .014 18 ± .36	.600 ± .010 15.24 ± .25	.273 6.93	.546 13.86	.706 17.93	.390 9.90	.520 13.2
D*-42616-UG (d)	in mm	1.004 ± .020 25.50 ± .51	.317 ± .004 8.05 ± .10	.634 ± .008 16.10 ± .20	.673 nom. 17.09 nom.	.217 5.51	.434 11.02	.835 21.21	.452 11.48	.610 15.5
D*-43019-UG (d)	in mm	1.181 ± .020 30.00 ± .51	.370 ± .004 9.4 ± .10	.740 ± .008 18.80 ± .20	.800 ± .010 17.09 nom.	.256 6.50	.512 13.0	.984 25	.532 13.51	.610 15.49
D*-43622-UG (d)	in mm	1.402 ± .02 35.61 ± .51	.428 ± .005 10.87 ± .13	.856 ± .010 21.7 ± .25	.939 nom. 23.85 nom.	.287 7.29	.574 14.58	1.177 29.85	.634 16.10	.800 20.3
D*-44229-UG (d) See Note 2	in mm	1.669 ± .028 42.4 ± .71	.582 ± .008 14.8 ± .20	1.164 ± .016 29.6 ± .40	1.118 nom. 28.40 nom.	.402 10.21	.804 20.42	1.402 35.61	.697 17.70	.985 25.0

1. For RS (Round/Slab) combinations using center hole type, see page 7.1 and note (d) below. 2. This core has a .198" x .043" wire slot (not shown in figure).

MAGNETIC DATA

PART NUMBER	Ungapped A _L mH/1000 turns						Magnetic Path Length (cm)	Core Area (cm ²)	Minimum Core Area (cm ²)	Core Volume (cm ³)	Set Nom. Weight (gms)	WaAc (cm ³) (note 3)
	K (min.)	R (min.)	P (min.)	F ± 25%	J (min.)	W (min.)						
D*-42311-UG	1820	2580	2810	4460	6300	11,245	2.68	.512	.378	1.37	10	.081
D*-42318-UG	1520	2180	2370	3800	4760	7000	3.99	.58	.407	2.31	13	.213
D*-42616-UG	1980	2870	3120	5000	6070	9100	3.89	.77	.627	3.0	15	.283
D*-43019-UG	2350	3330	3620	5800	7120	10,500	4.62	1.17	.96	5.41	22	.601
D*-43622-UG	-	4020	4370	7000	8700	12,600	5.28	1.49	1.25	7.87	37	1.15
D*-44229-UG	-	4830	5250	8400	9220	13,300	7.17	2.09	1.78	14.99	78	2.91

HOW TO ORDER:

3. Product of window area and core area.

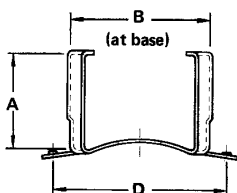
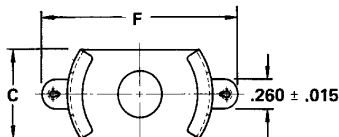
- (a) Add material (*) code to part number.
 (b) Cores are shipped in pairs.
 (c) To order double slab cores with hole, put "H" instead of "D" in front of part number. E.g., H*-43622-UG.
 (d) To order RS combination, put "S" (instead of "D" in front of part number. E.g., S*-42616-UG. Rounds not available with solid center post.

FOR PREFERRED PARTS, SEE INSIDE BACK COVER

GAPPED DS CORES

Any practical gap is available. See pages 1.6 and 1.7.

MOUNTING CLAMPS



A and B are inside dimensions

NOTES:

1. Material - Spring Steel, tinplated
 2. Mounting Holes = #6-32 Machine Screw Impressions. These parts are available without the tab (not normally stocked). To order, eliminate "-17" in part number. E.g., C3622-00.

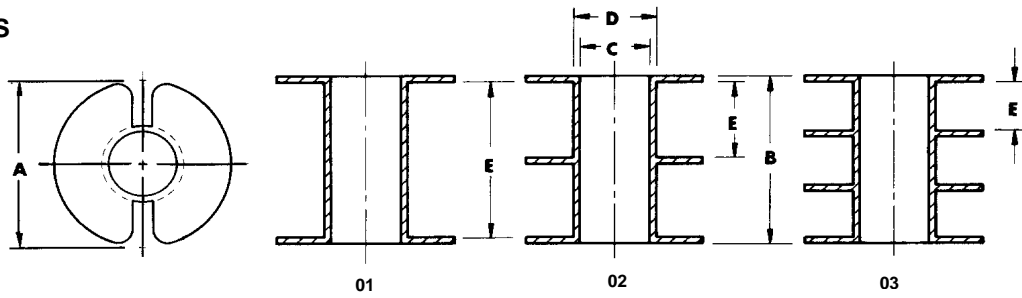
(All dimensions in inches)

FOR CORE TYPE	PART NUMBER	A NOM.	B NOM.	C NOM.	D ± .020	F NOM.
43622	C3622-17	.915	1.430	.850	1.750	1.970
44229	C4229-17	1.233	1.700	1.000	2.000	2.220

DS Cores

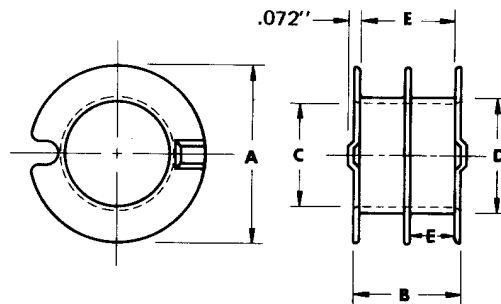
PLAIN BOBBINS

Material: Delrin
(UL 94 HB rated)



FOR CORE TYPE	PART NUMBER	DIMENSIONS IN INCHES					Nominal Winding Area Per Section		Average Length of Turn ft
		A	B	C	D	E	in ²	cm ²	
		MAX.	MAX.	MIN.	MAX.	NOM.			
42616	B2616-01	.832	.430	.455	.503	.391	.0653	.421	.173
	B2616-02	.832	.430	.455	.503	.187	.0314	.202	
	B2616-03	.832	.430	.455	.503	.119	.0199	.128	
43019	B3019-01	.981	.509	.534	.592	.460	.0840	.542	.204
	B3019-02	.981	.509	.534	.592	.219	.0394	.254	
	B3019-03	.981	.509	.534	.592	.138	.0246	.159	
43622	B3622-01	1.172	.570	.639	.711	.511	.117	.755	.244
	B3622-02	1.172	.570	.639	.711	.242	.0554	.357	
	B3622-03	1.172	.570	.639	.711	.152	.0348	.225	

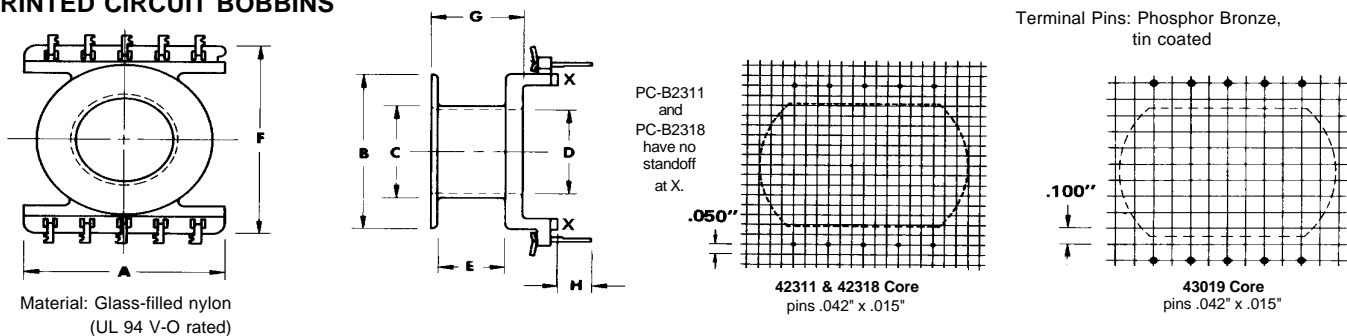
Material: Delrin
(UL 94 HB rated)



FOR CORE TYPE	PART NUMBER	DIMENSIONS IN INCHES					Nominal Winding Area Per Section		Average Length of Turn ft
		A	B	C	D	E	in ²	cm ²	
		MAX.	MAX.	MIN.	MAX.	NOM.			
44229	B4229-01	1.394	.780	.709	.776	.696	.215	1.39	.282
	B4229-02	1.394	.780	.709	.776	.328	.097	.63	.282

PRINTED CIRCUIT BOBBINS

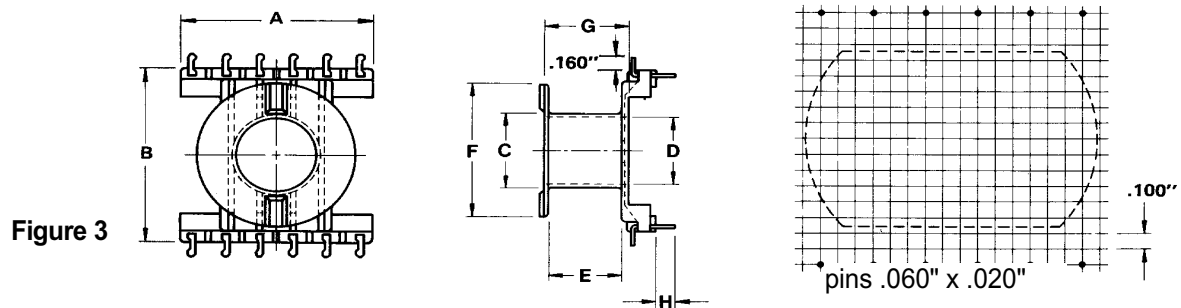
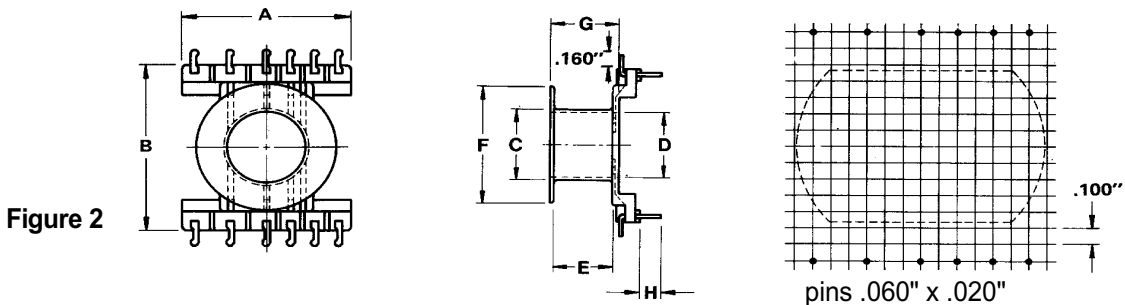
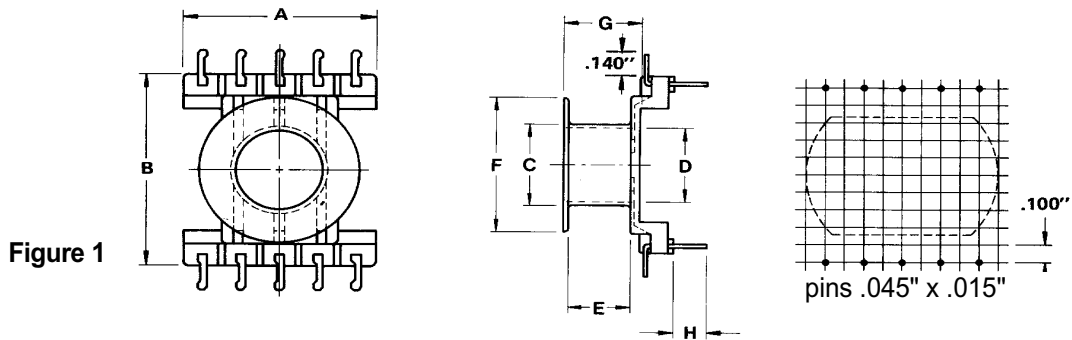
Terminal Pins: Phosphor Bronze, tin coated



Material: Glass-filled nylon
(UL 94 V-O rated)

FOR CORE TYPE	PART NUMBER	DIMENSIONS IN INCHES								Nominal Winding Area		Average Length of Turn ft.
		A	B	C	D	E	F	G	H	in ²	cm ²	
		MAX.	MAX.	MAX.	MIN.	NOM.	MAX.	MAX.	NOM.			
42311	PC-B2311-T1	.780	.700	.450	.395	.203	.915	.270	.220	.025	.159	.143
42318	PC-B2318-T1	.910	.700	.449	.395	.468	.900	.538	.218	.057	.368	.143
43019	PC-B3019-T1	1.110	.975	.588	.534	.423	1.185	.503	.188	.08	.514	.206

DS Cores

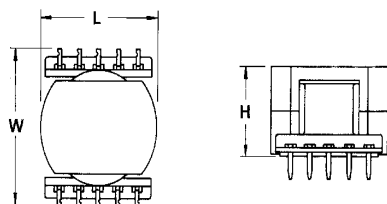


Material: Rynite® FR530
(UL 94 V-0 rated)

Terminals: Brass, tin-lead plated

FOR CORE TYPE	PART NUMBER	FIG.	DIMENSIONS IN INCHES								Nominal Winding Area		Average Length of Turn ft
			A MAX.	B MAX.	C MAX.	D MIN.	E NOM.	F MAX.	G MAX.	H NOM.	in ²	cm ²	
			42616	PC-B2616-TA	1	1.005	1.110	.507	.455	.350	.832	.430	
43622	PC-B3622-L1	2	1.405	1.530	.707	.639	.490	1.172	.570	.195	.120	.774	.246
44229	PC-B4229-L1	3	1.705	1.720	.776	.702	.705	1.397	.800	.19	.217	1.39	.284

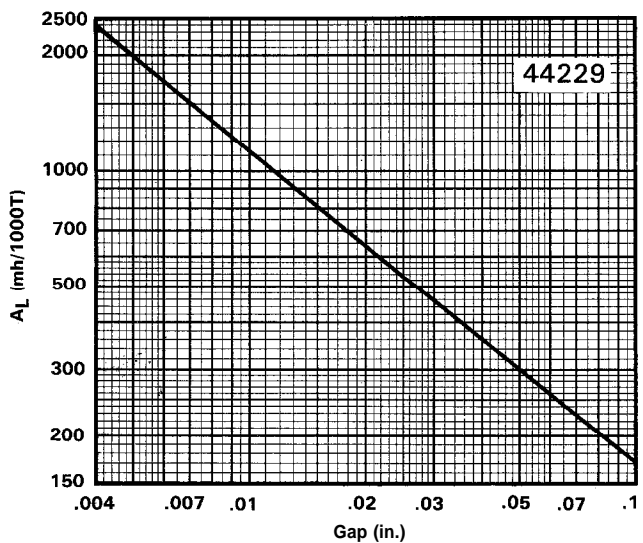
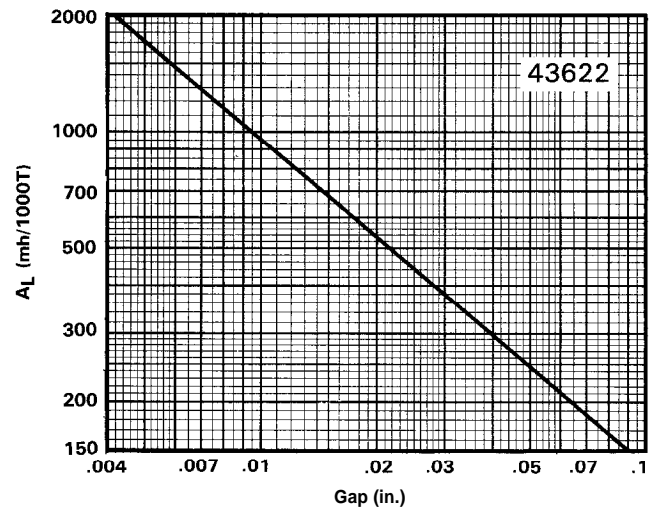
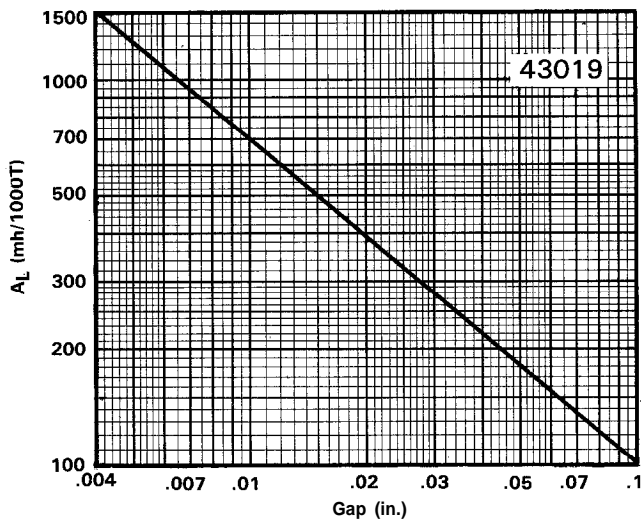
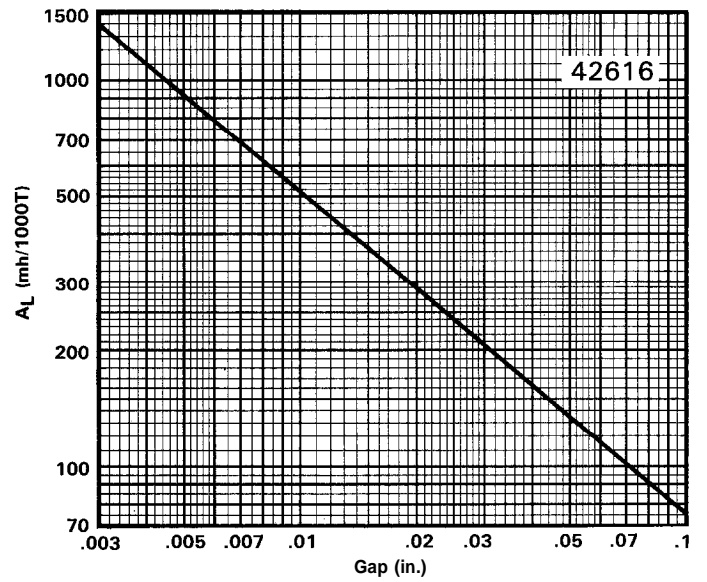
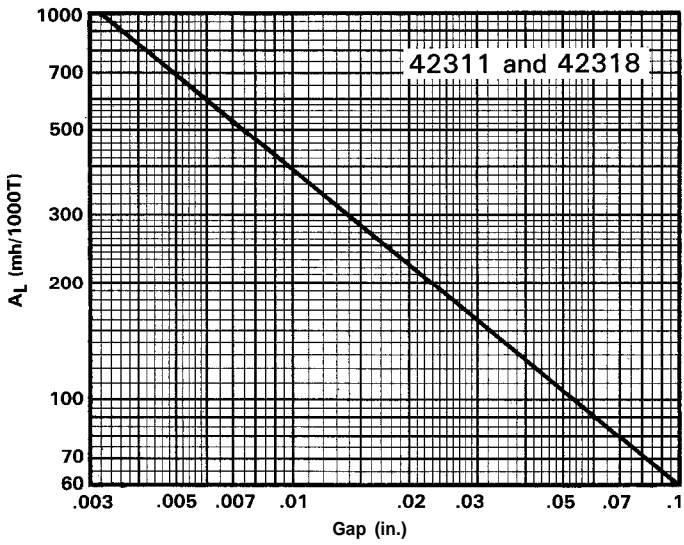
Board Clearance (in.)



	L	W	H
41408	.565	.850	.375
42311	.925	1.030	.450
42318	.925	1.030	.735
42616	1.030	1.500	.740
43019	1.215	1.330	.775
43622	1.425	1.950	.975
44229	1.715	2.150	1.275

RYNITE® is a registered trademark of The DuPont Co.

A_L vs. Gap (in.)



These graphs do not imply that a specific gap provides a specific A_L or vice versa. It is important when ordering to specify the A_L or gap, but not both.

Data taken using full bobbin and includes fringing flux.