

*Change new drawing frame in Blue Color since 2009/07/01, to comply with Company CIS Policy.

Revisions

"Note: Revisions B; B-1; B-2..... On Behalf of Official Drawing.
Revisions 1; 2; 3; 4..... On Behalf of Experiment's Drawing."

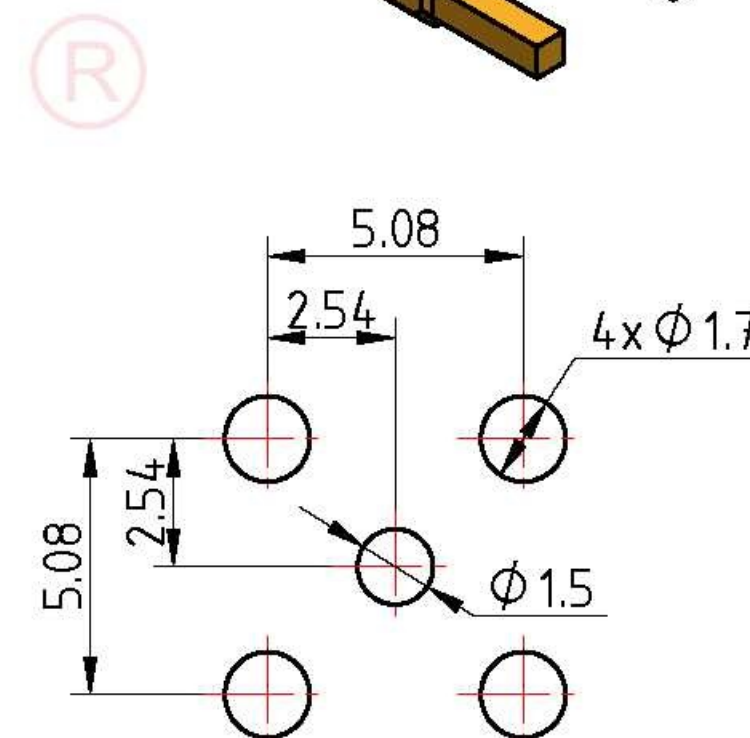
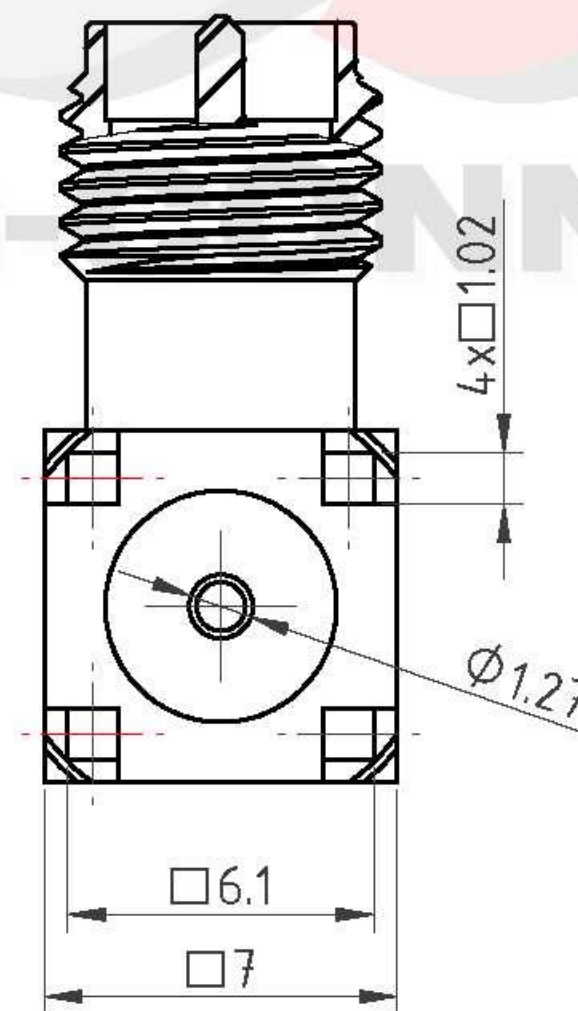
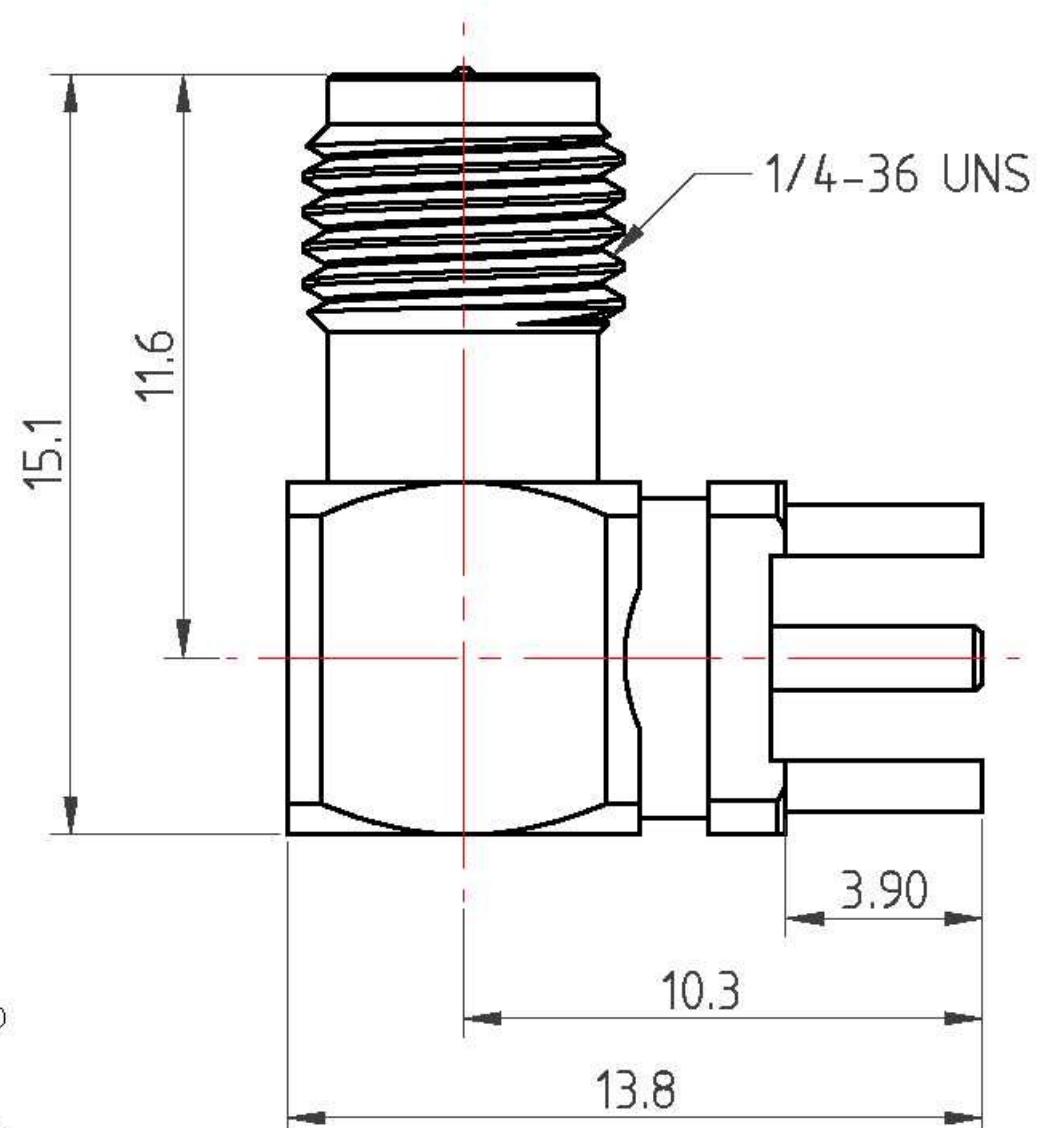
ISS	Symbol	Description	Date
B		CHE to New Drawings Frame & PN System.	2009/07/01
B-1		CHE Body Profile.	2013/10/22
B-2		CHE Body Profile. CHE Inner Contact Finish fm 30 u" to 20u"	2017/06/20
B-3		CHE New Frame	2017/08/24

*Change new drawing frame in Blue Color since 2009/07/01, to comply with Company CIS Policy.

Notes :

- Any Electrical, Mechanical or Environmental Test Per MIL-PRF-39012F Should be Spotlighted, as We May Not Have All Testing Equipment to Cover All of It.
- All Metal Materials Are in Compliance with RoHS 2 Directive 2011/65/EU Annex III Section 6 Paragraph.

Outline Drawing



Recommended PCB Layout

Electrical :

Impedance : 50 Ω
Voltage Rating : 500 V rms. (depending on cable)
Insulator Resistance : $\geq 5 \text{ G}\Omega$
Dielectric Withstanding Voltage : 1000 V rms.
Contact Resistance : Center Contact $\leq 3 \text{ m}\Omega$.
Outer Contact $\leq 2.5 \text{ m}\Omega$.

Mechanical :

Mating : 1/4-36 UNS Screw-on Coupling.
Recommended Mating Torque : 7.1~9.7 lbs
Coupling Nut Retention Force : $\geq 60.7 \text{ lbs}$

Environmental :

Temperature Range : -65°C to 165°C
Corrosion (Salt Spray) : MIL-STD-202, Method 101, Cond. B
Thermal Shock : MIL-STD-202, Method 107, Cond. B
Mechanical : MIL-STD-202, Method 213, Cond. I
Vibration : MIL-STD-202, Method 204, Cond. D

Finish [Unit of Plating Thickness Is in Micro Inch(μ)]

- Copper Strike Plating Thk. : 20 μ " min. (Under Plating)
- Nickel Plating Thk. : 120 μ " min. (Over Finish 1)
- Gold Plating Thk. : 20 μ " min. (Over Finish 2)
- Gold Plating Thk. : 2 μ " max. (Over Finish 2)

ITEM	Description	Material	Finish	Part Number	QT
3	Inner Contact	Brass	Finish 1/2/3		
2	Insulator	PTFE	None		
1	Body	Brass	Finish 1/2/4		

*RoHS and REACH are fully complied to create a greener planet for future generations.

Scale	Abbr.	Date	Rev
NTS	ST	2017/8/24	B-3

Tolerances :
.X ± 0.2
.XX ± 0.1
.XXX ± 0.05
Angular :
 $\pm 1^\circ$

Proprietary Note
This document contains information proprietary to S-Conn, which is either copyrighted, or patent applied for, and / or protected by trade secret laws. This document or parts thereof, may not be used, disclosed or reproduced in any form by any method, or for any purpose, without the written permission of S-Conn, Taiwan.



All Dimensions in mm (Unless Other wise Specified)



DWG. NO.	RS209L0G27
Customer P/N:	
Title	RP SMA R/A Jack, PCB Mount Type
S-Conn Enterprise Co., Ltd.	

TXT verified
DIM verified
Outline verified