



UTT24N06

Power MOSFET

**24A, 60V N-CHANNEL
ENHANCEMENT MODE
MOSFET**

■ DESCRIPTION

The UTC **UTT24N06** is an N-Channel enhancement mode MOSFET, it uses UTC's advanced technology to provide the customers with a minimum on state resistance and low gate charge, etc.

The UTC **UTT24N06** is suitable for switching application in Industry and converter application in LED TV, etc.

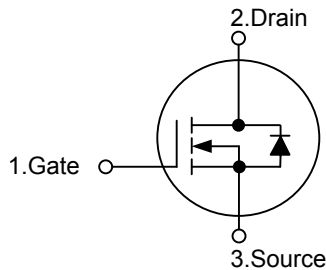
■ FEATURES

* $R_{DS(ON)} < 40\text{ m}\Omega$ @ $V_{GS}=10\text{V}$, $I_{DS}=12\text{A}$

$R_{DS(ON)} < 50\text{ m}\Omega$ @ $V_{GS}=5\text{V}$, $I_{DS}=11\text{A}$

* Low $R_{DS(ON)}$

■ SYMBOL



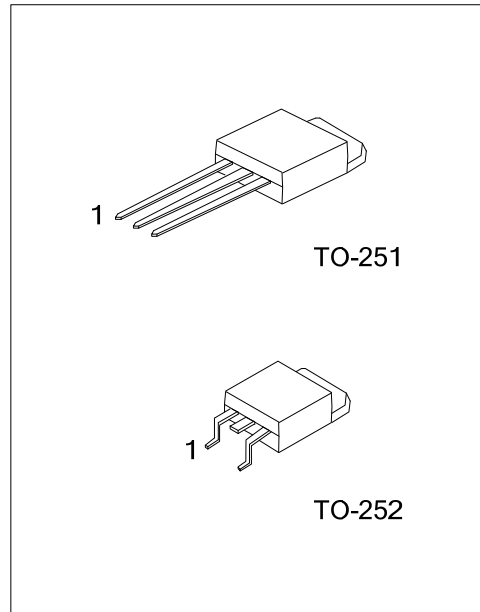
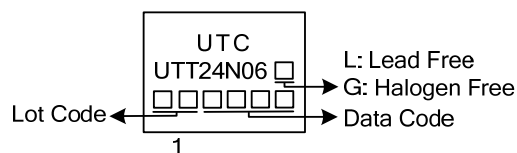
■ ORDERING INFORMATION

Ordering Number		Package	Pin Assignment			Packing
Lead Free	Halogen Free		1	2	3	
UTT24N06L-TM3-T	UTT24N06G-TM3-T	TO-251	G	D	S	Tube
UTT24N06L-TN3-R	UTT24N06G-TN3-R	TO-252	G	D	S	Tape Reel

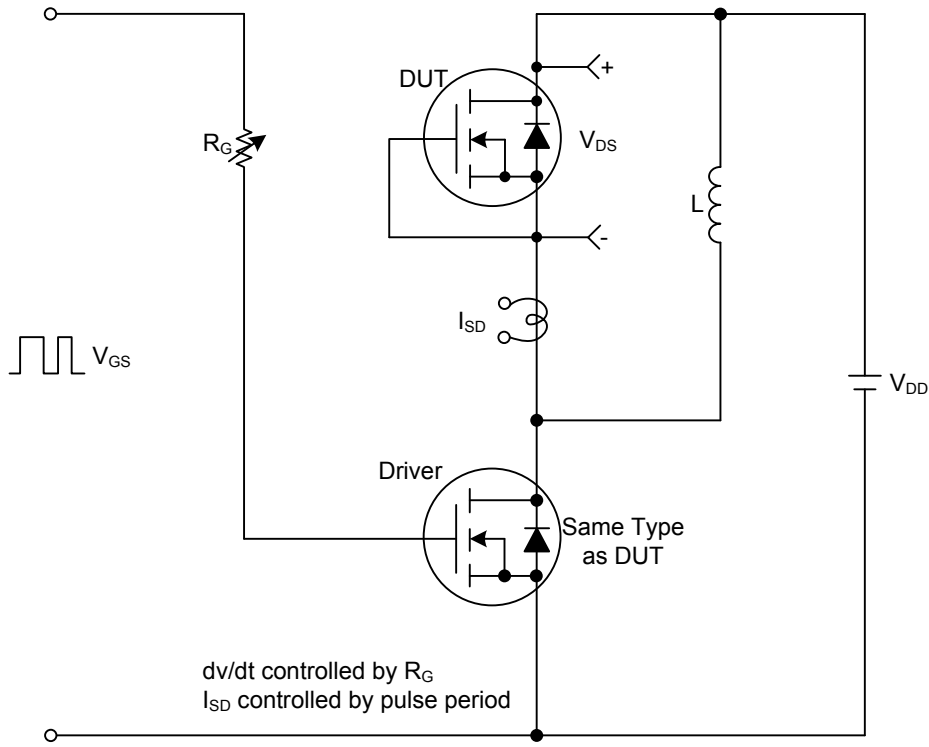
Note: Pin Assignment: G: Gate D: Drain S: Source

<p>UTT24N06G-TM3-T</p> <p>(1)Packing Type</p> <p>(2)Package Type</p> <p>(3)Green Package</p>	<p>(1) T: Tube, R: Tape Reel</p> <p>(2) TM3: TO-251, TN3: TO-252</p> <p>(3) G: Halogen Free and Lead Free, L: Lead Free</p>
--	---

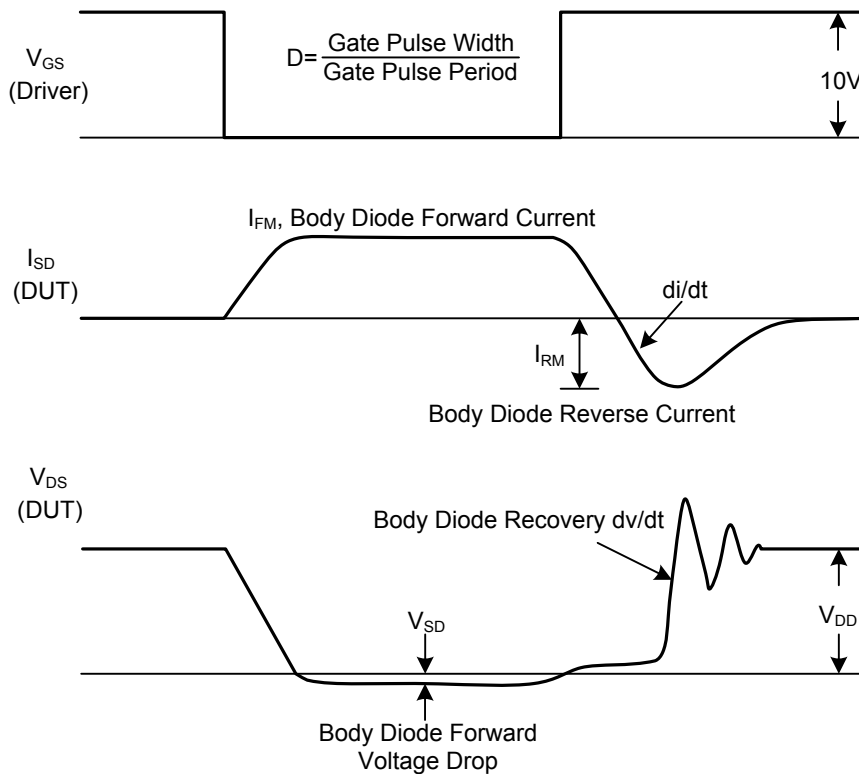
■ MARKING



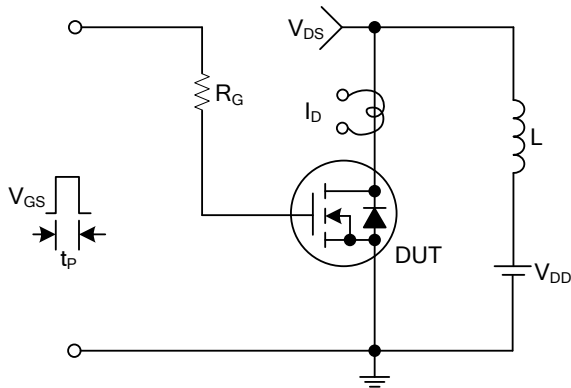
■ TEST CIRCUITS AND WAVEFORMS



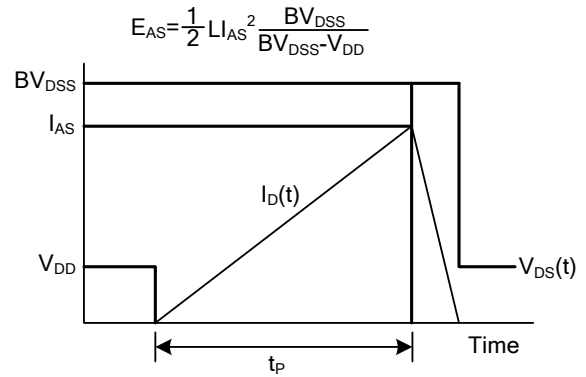
Peak Diode Recovery dv/dt Test Circuit & Waveforms



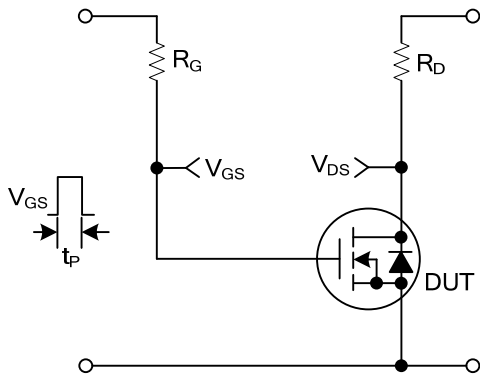
■ TEST CIRCUITS AND WAVEFORMS



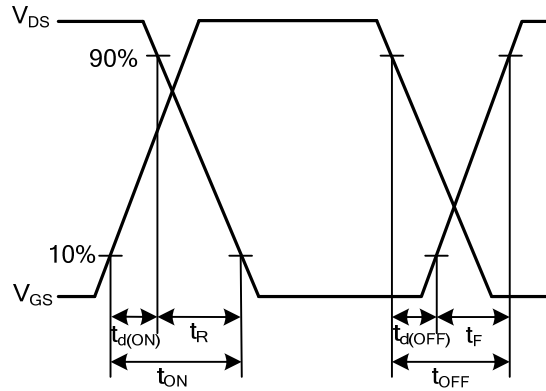
Unclamped Inductive Switching Test Circuit



Unclamped Inductive Switching Waveforms



Resistive Switching Test Circuit



Resistive Switching Waveforms

UTC assumes no responsibility for equipment failures that result from using products at values that exceed, even momentarily, rated values (such as maximum ratings, operating condition ranges, or other parameters) listed in products specifications of any and all UTC products described or contained herein. UTC products are not designed for use in life support appliances, devices or systems where malfunction of these products can be reasonably expected to result in personal injury. Reproduction in whole or in part is prohibited without the prior written consent of the copyright owner. UTC reserves the right to make changes to information published in this document, including without limitation specifications and product descriptions, at any time and without notice. This document supersedes and replaces all information supplied prior to the publication hereof.