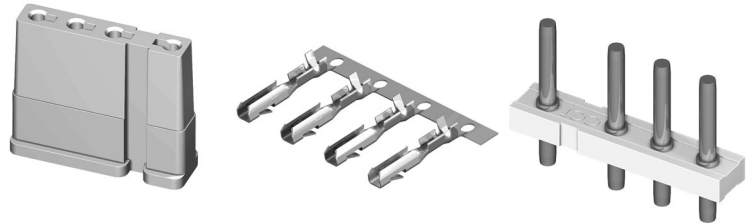


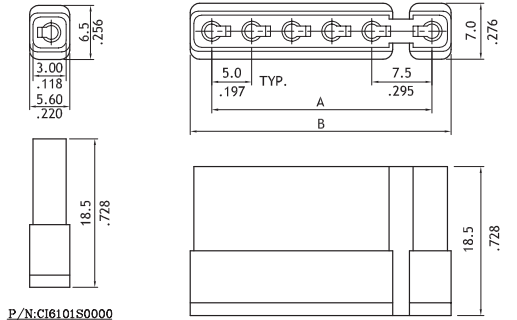
**CI61 Series 7.5-5.0mm(.295-.197") Wire to Board Connectors**

- Mate with CI61 header
- Can be used CI61 crimp clip terminal
- Insulator: Nylon 66 UL 94V-0 , Color Nature
- With Tin plated 1.56mm round pin
- Terminal: Tin plated Brass

**RoHS** Compliant

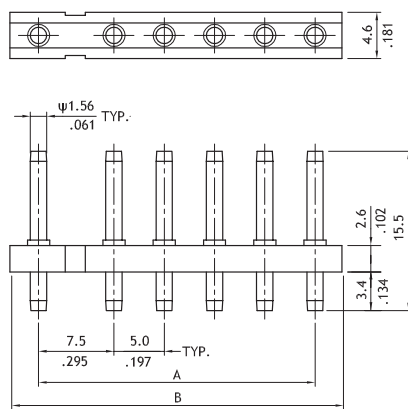


**RU** :E159616

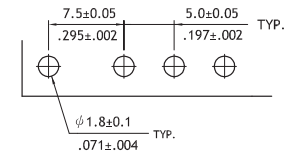


P/N:CI6101S0000

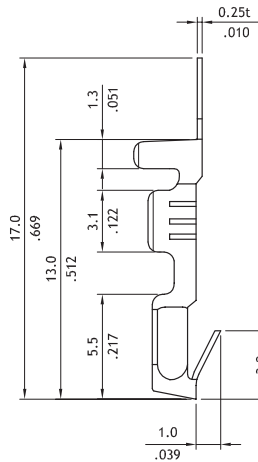
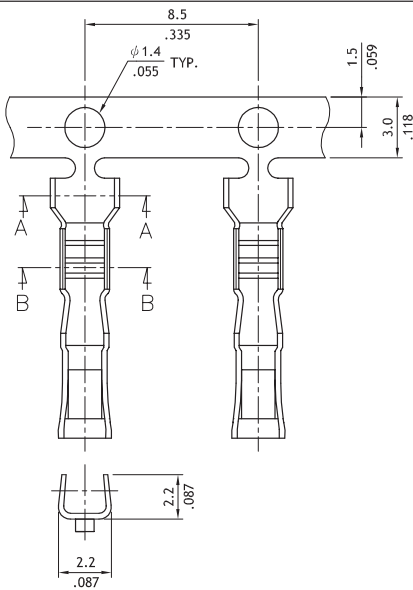
Circuits	Dimension		Circuits	Dimension	
	A	B		A	B
2	7.5(.295)	13.0(.512)	5	22.5(.886)	28.0(1.102)
3	12.5(.492)	17.5(.689)	6	27.5(1.083)	33.0(1.299)
4	17.5(.689)	23.0(.906)			



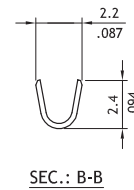
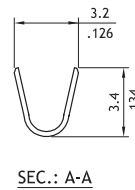
Circuits	Dimension	
	A	B
1	-	5.0(.197)
2	7.5(.295)	12.5(.492)
3	12.5(.492)	17.5(.689)
4	17.5(.689)	22.5(.886)
5	22.5(.886)	27.5(1.083)
6	27.5(1.083)	32.5(1.280)



Recommended P.C. Board Layout



Wire Range	Insulation Diameter	Reel Q'ty
AWG #18-#22	2.10 (.083) MAX.	7,500 PCS



**Ordering Code**

**1** **2** **3** **4**  
**CI 61 06 S 0000**

**1** **2** **3** **4** **5** **6**  
**CI 61 06 P 1 V 00**

- 1 Series No.
- 2 No. of Circuits: 01 to 06
- 3 S= housing
- 4 Other options:  
0000= Standard  
\*Special options consult manufacturer

- 1 Series No.
- 2 No. of Circuits: 01 to 06
- 3 P = DIP
- 4 Plating: 1= Tin over Nickel
- 5 Type: V= Vertical
- 6 Other options: 00= Standard  
\*Special options consult manufacturer