

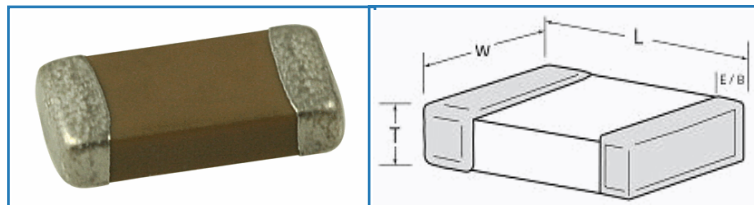
DATASHEET

C0603C0G500-151JNP

GENERAL PURPOSE CERAMIC CAPACITORS (C SERIES)
0603, C0G, 50V, 150pF, ±5%, 100% matte Tin(Sn) over Nickel



VENKEL LTD.



SIZE SPECIFICATIONS units: inches

Length:	0.063
Width:	0.032
T(max):	0.033
Min E/B:	0.008
Size(EIA):	0603

COMPONENT SPECIFICATIONS

Category:	Ceramic Capacitors
Series:	General Purpose (C Series)
Size:	0603
Dielectric:	C0G
Voltage:	50V
Capacitance:	150pF
Tolerance:	±5%
Termination:	100% matte Tin(Sn) over Nickel
Packaging:	Paper Tape (7" Reel)
Quantity per Reel:	4,000

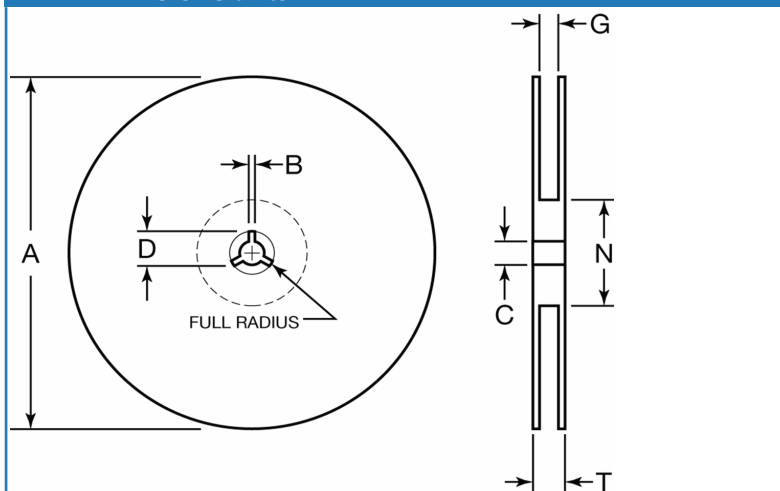
DIELECTRIC SPECIFICATIONS

Temperature Coefficient:	0 ±30PPM/°C
Temperature Voltage Coefficient	0 ±30PPM/°C
Ageing:	None
Withstanding Voltage:	>2.5 times VDCW
Operating Temp:	-55°C to +125°C
Dissipation Factor:	0.1% max

COMPLIANCE STATUS

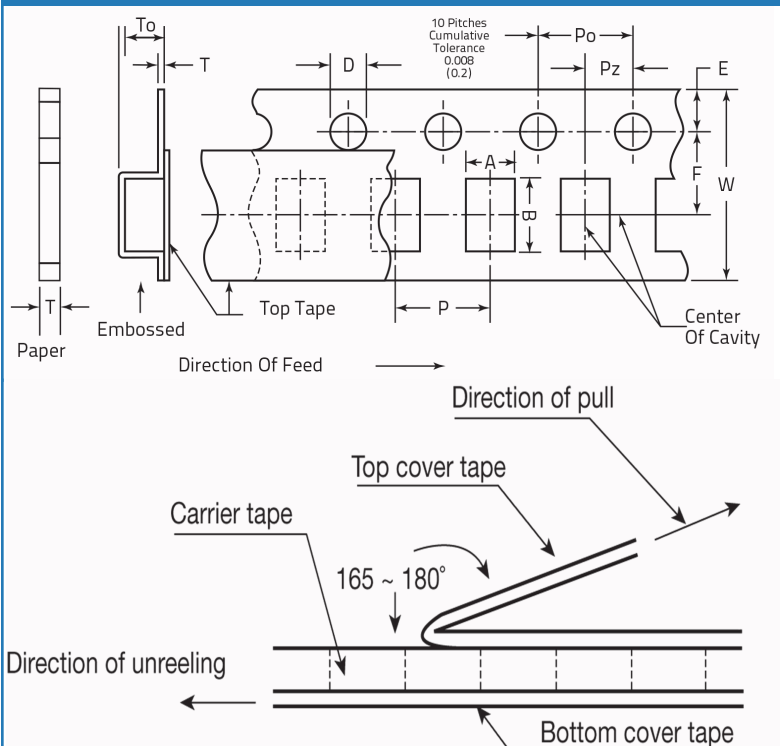
RoHS Status	6 of 6 Compliant
REACH Status	Compliant
Halogen Status	Halogen Free
Conflict Mineral Status	Conflict Mineral Free

REEL DIMENSIONS units: mm



Tape	B min	C	A(7")	A(13")	D Min	N Min	G	T max
8mm	0.30	13 ± 0.05	178 ± 2.0	330 ± 2.0	20.20	50.00	10 ± 1.5	14.90

TAPING SPECIFICATIONS units: mm



A	B	W	F	E	Po
1.10 ± 0.2	1.90 ± 0.2	8.0 ± 0.2	3.5 ± 0.1	1.75 ± 0.1	4.0 ± 0.1
Pz	D	T	P	To	T(E)
2.0 ± 0.05 - 0.0	1.5 ± 0.1	1.15 MAX	4.0 ± 0.1		