

VISIBLE LED

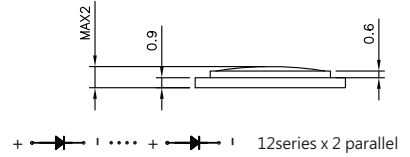
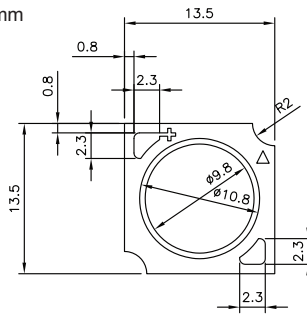
38	HIGH POWER LED
59	LOW MIDDLE POWER LED
67	FLASH LED
72	SMD LED
113	LED LAMPs
133	LED DIGITAL DISPLAYs
150	SIGNAGE LED
156	AUTOMOTIVE LED

High Power LED | XUAN1313 Series (4W,6W)

High Power LED

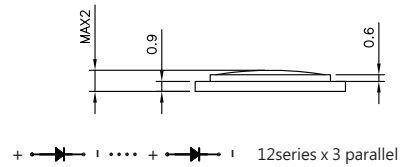
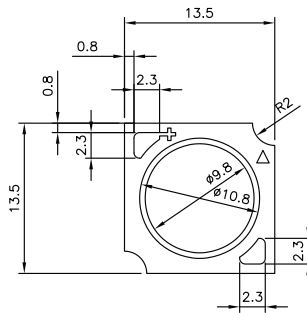


UNIT : mm



4W

Product	Size (LxWxHmm)	Forward Voltage (V)	Color	CCT (K)	Luminous Flux (lm)		CRI (min.)	Luminous Efficacy(lm/W)
					Min.	TYP		
XUAN1313-KM277K9-36204-390T	13.5x13.5x1.5	34.5~40.0	● Warm White	2700K	425	510	80	119
XUAN1313-KM307N1-36204-390T	13.5x13.5x1.5	34.5~40.0	● Warm White	3000K	450	535	80	124
XUAN1313-KM357N2-36204-390T	13.5x13.5x1.5	34.5~40.0	● Warm White	3500K	475	550	80	128
XUAN1313-KM407N3-36204-390T	13.5x13.5x1.5	34.5~40.0	○ Neutral White	4000K	500	565	80	131
XUAN1313-KM457N3-36204-390T	13.5x13.5x1.5	34.5~40.0	○ Neutral White	4500K	500	575	80	134
XUAN1313-KT507N3-36204-390T	13.5x13.5x1.5	34.5~40.0	○ Cool White	5000K	500	585	80	136
XUAN1313-KT577N3-36204-390T	13.5x13.5x1.5	34.5~40.0	○ Cool White	5700K	500	590	80	137
XUAN1313-KT657N3-36204-390T	13.5x13.5x1.5	34.5~40.0	○ Cool White	6500K	500	590	80	137

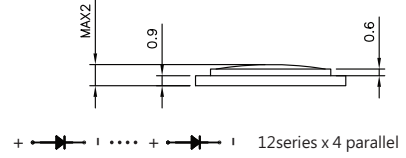
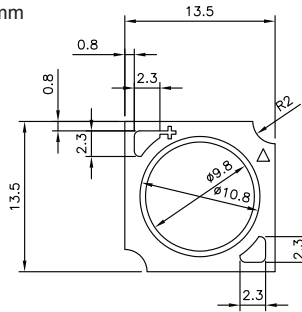


Product	Size (LxWxHmm)	Forward Voltage (V)	Color	CCT (K)	Luminous Flux (lm)		CRI (min.)	Luminous Efficacy(lm/W)
					Min.	TYP		
XUAN1313-KM277N7-36306-390T	13.5x13.5x1.5	34.5~40.0	● Warm White	2700K	700	750	80	116
XUAN1313-KM307N7-36306-390T	13.5x13.5x1.5	34.5~40.0	● Warm White	3000K	700	785	80	122
XUAN1313-KM357N8-36306-390T	13.5x13.5x1.5	34.5~40.0	● Warm White	3500K	750	805	80	125
XUAN1313-KM407N8-36306-390T	13.5x13.5x1.5	34.5~40.0	○ Neutral White	4000K	750	830	80	129
XUAN1313-KM457N8-36306-390T	13.5x13.5x1.5	34.5~40.0	○ Neutral White	4500K	750	845	80	131
XUAN1313-KT507N9-36306-390T	13.5x13.5x1.5	34.5~40.0	○ Cool White	5000K	800	855	80	133
XUAN1313-KT577N9-36306-390T	13.5x13.5x1.5	34.5~40.0	○ Cool White	5700K	800	880	80	136
XUAN1313-KT657N9-36306-390T	13.5x13.5x1.5	34.5~40.0	○ Cool White	6500K	800	880	80	136

High Power LED | XUAN1313 Series



UNIT : mm



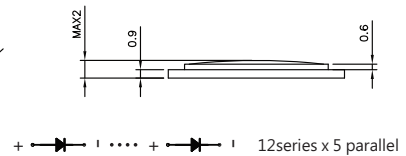
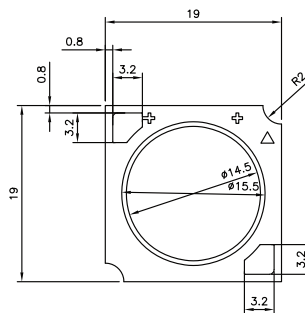
8W

Product	Size (LxWxHmm)	Forward Voltage (V)	Color	CCT (K)	Luminous Flux (lm)		CRI (min.)	Luminous Efficacy(lm/W)
					Min.	TYP		
XUAN1313-KM277P1-36408-390T	13.5x13.5x1.5	34.5~40.0	● Warm White	2700K	900	985	80	114
XUAN1313-KM307P1-36408-390T	13.5x13.5x1.5	34.5~40.0	● Warm White	3000K	900	1030	80	120
XUAN1313-KM357P1-36408-390T	13.5x13.5x1.5	34.5~40.0	● Warm White	3500K	900	1060	80	123
XUAN1313-KM407P1-36408-390T	13.5x13.5x1.5	34.5~40.0	○ Neutral White	4000K	900	1090	80	127
XUAN1313-KM457P1-36408-390T	13.5x13.5x1.5	34.5~40.0	○ Neutral White	4500K	900	1110	80	129
XUAN1313-KT507P2-36408-390T	13.5x13.5x1.5	34.5~40.0	○ Cool White	5000K	1000	1120	80	130
XUAN1313-KT577P2-36408-390T	13.5x13.5x1.5	34.5~40.0	○ Cool White	5700K	1000	1150	80	134
XUAN1313-KT657P2-36408-390T	13.5x13.5x1.5	34.5~40.0	○ Cool White	6500K	1000	1150	80	134

High Power LED | XUAN1919 Series



UNIT : mm



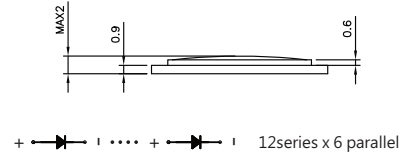
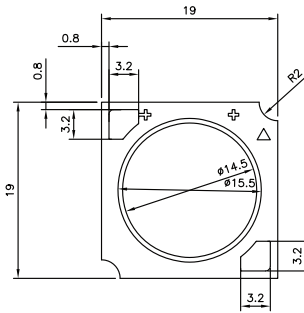
10W

Product	Size (LxWxHmm)	Forward Voltage (V)	Color	CCT (K)	Luminous Flux (lm)		CRI (min.)	Luminous Efficacy(lm/W)
					Min.	TYP		
XUAN1919-KM277P3-36510-3E0T	19x19x1.5	34.5~40.0	● Warm White	2700K	1100	1265	80	120
XUAN1919-KM307P3-36510-3E0T	19x19x1.5	34.5~40.0	● Warm White	3000K	1100	1330	80	124
XUAN1919-KM357P4-36510-3E0T	19x19x1.5	34.5~40.0	● Warm White	3500K	1200	1365	80	127
XUAN1919-KM407P4-36510-3E0T	19x19x1.5	34.5~40.0	○ Neutral White	4000K	1200	1405	80	131
XUAN1919-KM457P4-36510-3E0T	19x19x1.5	34.5~40.0	○ Neutral White	4500K	1200	1425	80	133
XUAN1919-KT507P4-36510-3E0T	19x19x1.5	34.5~40.0	○ Cool White	5000K	1200	1455	80	135
XUAN1919-KT577P4-36510-3E0T	19x19x1.5	34.5~40.0	○ Cool White	5700K	1200	1465	80	136
XUAN1919-KT657P4-36510-3E0T	19x19x1.5	34.5~40.0	○ Cool White	6500K	1200	1465	80	136

High Power LED | XUAN1919 Series (13W,17W)



UNIT : mm



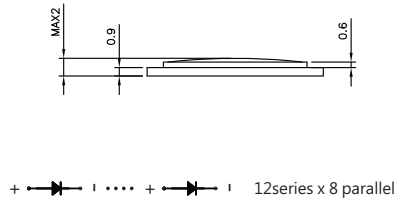
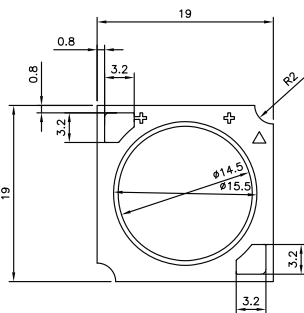
13W

Product	Size (LxWxHmm)	Forward Voltage (V)	Color	CCT (K)	Luminous Flux (lm)		CRI (min.)	Luminous Efficacy(lm/W)
					Min.	TYP		
XUAN1919-KM277P4-36613-3E0T	19x19x1.5	34.5~40.0	● Warm White	2700K	1200	1495	80	115
XUAN1919-KM307P5-36613-3E0T	19x19x1.5	34.5~40.0	● Warm White	3000K	1350	1570	80	120
XUAN1919-KM357P5-36613-3E0T	19x19x1.5	34.5~40.0	● Warm White	3500K	1350	1615	80	124
XUAN1919-KM407P5-36613-3E0T	19x19x1.5	34.5~40.0	○ Neutral White	4000K	1350	1660	80	127
XUAN1919-KM457P6-36613-3E0T	19x19x1.5	34.5~40.0	○ Neutral White	4500K	1500	1685	80	130
XUAN1919-KT507P6-36613-3E0T	19x19x1.5	34.5~40.0	○ Cool White	5000K	1500	1715	80	131
XUAN1919-KT577P6-36613-3E0T	19x19x1.5	34.5~40.0	○ Cool White	5700K	1500	1730	80	132
XUAN1919-KT657P6-36613-3E0T	19x19x1.5	34.5~40.0	○ Cool White	6500K	1500	1730	80	132

High Power LED | XUAN1919 Series



UNIT : mm



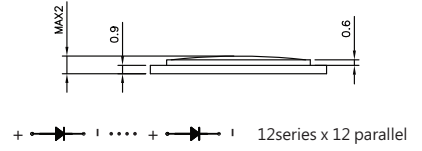
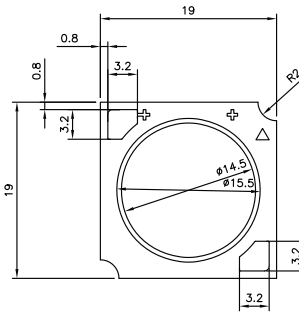
17W

Product	Power Dissipation (W)	Forward Voltage (V)	Forward Current (mA)		Thermal Resistance °C/W	Junction Temperature °C	Color	CCT (K)	Luminous Flux (lm)		CRI (min.)	Luminous Efficacy (lm/W)
			Typ	Max					Min.	TYP		
XUAN1919-KM277P7-36817-3E0T	17W	34.5~40.0	480	960	0.66	120	● Warm White	2700K	1650	1970	80	115
XUAN1919-KM307P8-36817-3E0T	17W	34.5~40.0	480	960	0.66	120	● Warm White	3000K	1800	2070	80	120
XUAN1919-KM357P8-36817-3E0T	17W	34.5~40.0	480	960	0.66	120	● Warm White	3500K	1800	2125	80	123
XUAN1919-KM407P8-36817-3E0T	17W	34.5~40.0	480	960	0.66	120	○ Neutral White	4000K	1800	2185	80	127
XUAN1919-KM457P9-36817-3E0T	17W	34.5~40.0	480	960	0.66	120	○ Neutral White	4500K	2000	2225	80	129
XUAN1919-KT507P9-36817-3E0T	17W	34.5~40.0	480	960	0.66	120	○ Cool White	5000K	2000	2260	80	130
XUAN1919-KT577P9-36817-3E0T	17W	34.5~40.0	480	960	0.66	120	○ Cool White	5700K	2000	2280	80	134
XUAN1919-KT657P9-36817-3E0T	17W	34.5~40.0	480	960	0.66	120	○ Cool White	6500K	2000	2280	80	134

High Power LED | XUAN1919 Series



UNIT : mm



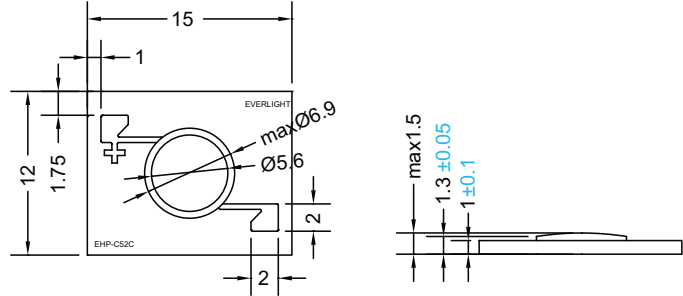
25W

Product	Size (LxWxHmm)	Forward Voltage (V)	Color	CCT (K)	Luminous Flux (lm)		CRI (min.)	Luminous Efficacy(lm/W)
					Min.	TYP		
XUAN1919-KM277S4-36C25-3E0T	19x19x1.5	34.5~40.0	● Warm White	2700K	2800	2860	80	111
XUAN1919-KM307S5-36C25-3E0T	19x19x1.5	34.5~40.0	● Warm White	3000K	3000	3000	80	116
XUAN1919-KM357S5-36C25-3E0T	19x19x1.5	34.5~40.0	● Warm White	3500K	3000	3085	80	120
XUAN1919-KM407S5-36C25-3E0T	19x19x1.5	34.5~40.0	○ Neutral White	4000K	3000	3165	80	123
XUAN1919-KM457S6-36C25-3E0T	19x19x1.5	34.5~40.0	○ Neutral White	4500K	3200	3225	80	125
XUAN1919-KT507S6-36C25-3E0T	19x19x1.5	34.5~40.0	○ Cool White	5000K	3200	3280	80	127
XUAN1919-KT577S6-36C25-3E0T	19x19x1.5	34.5~40.0	○ Cool White	5700K	3200	3305	80	128
XUAN1919-KT657S6-36C25-3E0T	19x19x1.5	34.5~40.0	○ Cool White	6500K	3200	3305	80	128

High Power LED | JU1215 Series 炬



UNIT : mm



4W

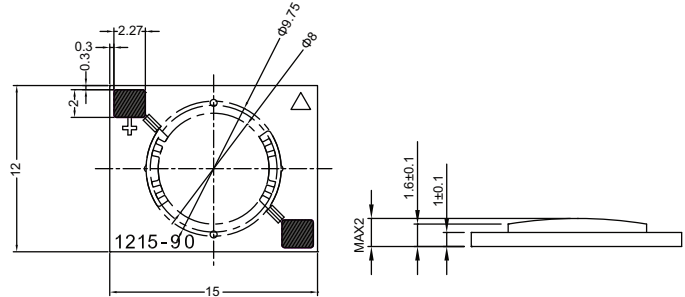
Product	Size (LxWxHmm)	Forward Voltage (V)	Forward Current (mA)		Thermal Resistance (°C/W)	Color	CCT (K)	Luminous Flux (lm)		CRI (min.)	Luminous Efficacy (lm/W)
			Typ	Max				Min.	TYP		
JU1215-KM277K5-09804-450T	12x15x1.6	8~11	400	700	7	● Warm White	2700K	325	363	80	82
JU1215-KM307K5-09804-450T	12x15x1.6	8~11	400	700	7	● Warm White	3000K	325	389	80	63
JU1215-KM407K5-09804-450T	12x15x1.6	8~11	400	700	7	○ Neutral White	4000K	325	398	80	65
JU1215-GT507K7-09804-450T	12x15x1.6	8~11	400	700	7	○ Cool White	5000K	375	442	70	75
JU1215-KT507K7-09804-450T	12x15x1.6	8~11	400	700	7	○ Cool White	5000K	375	391	80	98
JU1215-GT577K7-09804-450T	12x15x1.6	8~11	400	700	7	○ Cool White	5700K	375	463	70	104
JU1215-KT577K7-09804-450T	12x15x1.6	8~11	400	700	7	○ Cool White	5700K	375	391	80	98
JU1215-GT657K7-09804-450T	12x15x1.6	8~11	400	700	7	○ Cool White	6500K	375	452	70	102
JU1215-KT657K7-09804-450T	12x15x1.6	8~11	400	700	7	○ Cool White	6500K	375	391	80	98

Product	Size (LxWxHmm)	Forward Voltage (V)	Forward Current (mA)		Thermal Resistance (°C/W)	Color	CCT (K)	Luminous Flux (lm)		CRI (min.)	Luminous Efficacy (lm/W)
			Typ	Max				Min.	TYP		
JU1215-KM277K5-90104-45AT	12x15x1.6	80~101	40	70	7	● Warm White	2700K	325	381	80	86
JU1215-KM307K5-90104-45AT	12x15x1.6	80~101	40	70	7	● Warm White	3000K	325	398	80	90
JU1215-KM407K5-90104-45AT	12x15x1.6	80~101	40	70	7	○ Neutral White	4000K	325	405	80	91
JU1215-KT507K6-90104-45AT	12x15x1.6	80~101	40	70	7	○ Cool White	5000K	375	425	80	96

High Power LED | JU1215 Series 炬



UNIT : mm



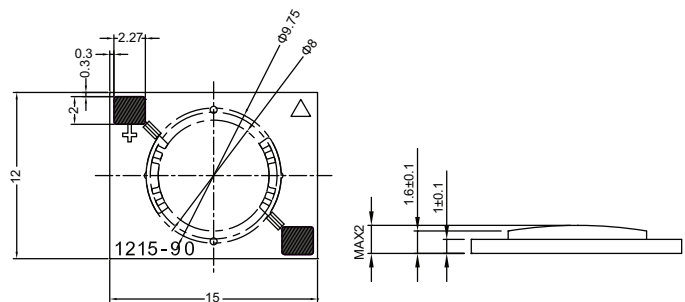
6W

Product	Size (LxWxHmm)	Forward Voltage (V)	Color	CCT (K)	Luminous Flux (lm)		CRI (min.)	Luminous Efficacy(lm/W)
					Min.	TYP		
JU1215-KM277N4-36206-390T	12x15x1.6	33~41	● Warm White	2700K	550	630	80	105
JU1215-KM307N5-36206-390T	12x15x1.6	33~41	● Warm White	3000K	600	670	80	112
JU1215-KM407N5-36206-390T	12x15x1.6	33~41	○ Neutral White	4000K	600	730	80	122
JU1215-KT507N6-36206-390T	12x15x1.6	33~41	○ Cool White	5000K	650	750	80	125
JU1215-KT577N6-36206-390T	12x15x1.6	33~41	○ Cool White	5700K	650	750	80	125

High Power LED | JU1215 Series 炬



UNIT : mm



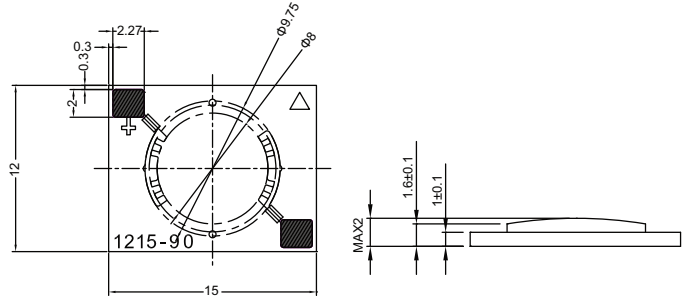
7W

Product	Size (LxWxHmm)	Forward Voltage (V)	Color	CCT (K)	Luminous Flux (lm)		CRI (min.)	Luminous Efficacy(lm/W)
					Min.	TYP		
JU1215-KM277N6-12507-090T	12x15x1.6	11~14	● Warm White	2700K	650	710	80	101
JU1215-KM307N6-12507-090T	12x15x1.6	11~14	● Warm White	3000K	650	730	80	104
JU1215-KM407N6-12507-090T	12x15x1.6	11~14	○ Neutral White	4000K	650	745	80	106
JU1215-KT507N7-12507-090T	12x15x1.6	11~14	○ Cool White	5000K	700	810	80	116
JU1215-KT577N7-12507-090T	12x15x1.6	11~14	○ Cool White	5700K	700	810	80	116
JU1215-KT657N7-12507-090T	12x15x1.6	11~14	○ Cool White	6500K	700	810	80	116

High Power LED | JU1215 Series 炬



UNIT : mm



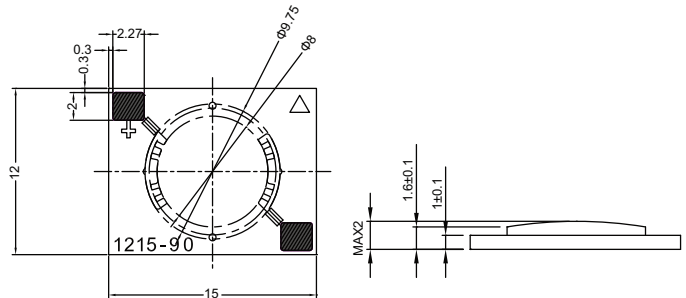
9W

Product	Size (LxWxHmm)	Forward Voltage (V)	Color	CCT (K)	Luminous Flux (lm)		CRI (min.)	Luminous Efficacy(lm/W)
					Min.	TYP		
JU1215-KM277N9-36309-390T	12x15x1.6	33~41	● Warm White	2700K	800	898	80	100
JU1215-KM307P1-36309-390T	12x15x1.6	33~41	● Warm White	3000K	900	957	80	106
JU1215-KM407P1-36309-390T	12x15x1.6	33~41	○ Neutral White	4000K	900	1050	80	117
JU1215-KT507P2-36309-390T	12x15x1.6	33~41	○ Cool White	5000K	1000	1103	80	123
JU1215-KT577P2-36309-390T	12x15x1.6	33~41	○ Cool White	5700K	1000	1103	80	123

High Power LED | JU1215 Series 炬



UNIT : mm



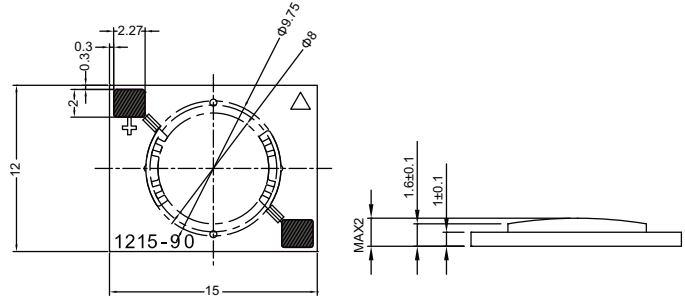
10W

Product	Size (LxWxHmm)	Forward Voltage (V)	Color	CCT (K)	Luminous Flux (lm)		CRI (min.)	Luminous Efficacy(lm/W)
					Min.	TYP		
JU1215-KT657P3-18610-0A0T	12x15x1.6	16~20	● Warm White	3000K	1100	1210	80	121
JU1215-KT577P3-18610-0A0T	12x15x1.6	16~20	○ Neutral White	4000K	1100	1210	80	121
JU1215-KT507P3-18610-0A0T	12x15x1.6	16~20	○ Cool White	5700K	1100	1210	80	121

High Power LED | JU1215 Series 炬



UNIT : mm



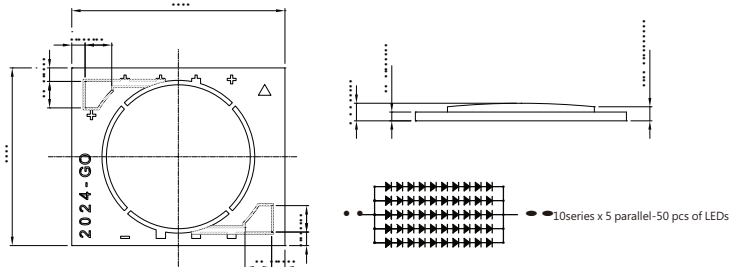
12W

Product	Size (LxWxHmm)	Forward Voltage (V)	Color	CCT (K)	Luminous Flux (lm)		CRI (min.)	Luminous Efficacy(lm/W)
					Min.	TYP		
JU1215-KM277P2-36412-390T	12x15x1.6	33~41	● Warm White	2700K	1000	1184	80	99
JU1215-KM307P3-36412-390T	12x15x1.6	33~41	● Warm White	3000K	1100	1260	80	105
JU1215-KM407P3-36412-390T	12x15x1.6	33~41	○ Neutral White	4000K	1100	1310	80	109
JU1215-KT507P4-36412-390T	12x15x1.6	33~41	○ Cool White	5000K	1200	1365	80	114
JU1215-KT577P4-36412-390T	12x15x1.6	33~41	○ Cool White	5700K	1200	1365	80	114

High Power LED | JU2024 Series 炬



UNIT : mm



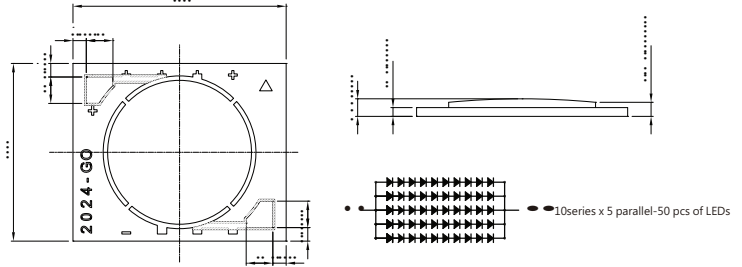
15W

Product	Size (LxWxHmm)	Forward Voltage (V)	Color	CCT (K)	Luminous Flux (lm)		CRI (min.)	Luminous Efficacy(lm/W)
					Min.	TYP		
JU2024-KM277P5-30515-0G0T	20x24x1.6	27~33	● Warm White	3500K	1425	1580	80	105
JU2024-KM307P6-30515-0G0T	20x24x1.6	27~33	● Warm White	3000K	1500	1650	80	110
JU2024-KM357P6-30515-0G0T	20x24x1.6	27~33	● Warm White	3500K	1500	1700	80	113
JU2024-KM407P6-30515-0G0T	20x24x1.6	27~33	○ Neutral White	4000K	1575	1750	80	117
JU2024-KM457P7-30515-0G0T	20x24x1.6	27~33	○ Neutral White	4500K	1650	1780	80	119
JU2024-KT507P7-30515-0G0T	20x24x1.6	27~33	○ Cool White	5000K	1650	1800	80	120
JU2024-KT577P7-30515-0G0T	20x24x1.6	27~33	○ Cool White	5700K	1725	1850	80	123
JU2024-KT657P7-30515-0G0T	20x24x1.6	27~33	○ Cool White	6500K	1725	1850	80	123

High Power LED | JU2024 Series 炬



UNIT : mm



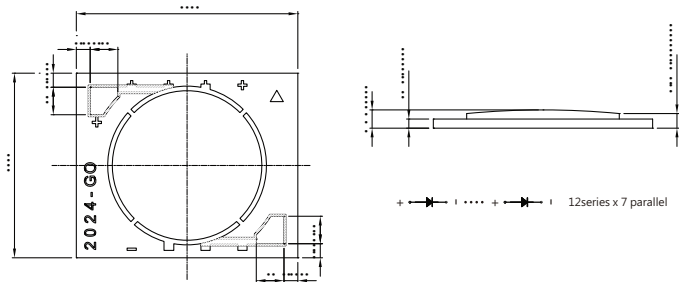
16W

Product	Size (LxWxHmm)	Forward Voltage (V)	Color	CCT (K)	Luminous Flux (lm)		CRI (min.)	Luminous Efficacy(lm/W)
					Min.			
JU2024-KM304P7-30516-0G0T	20x24x1.6	27~33	● Warm White	3000K	1650		80	103
JU2024-KM404P7-30516-0G0T	20x24x1.6	27~33	○ Neutral White	4000K	1650		80	103

High Power LED | JU2024 Series 炬



UNIT : mm



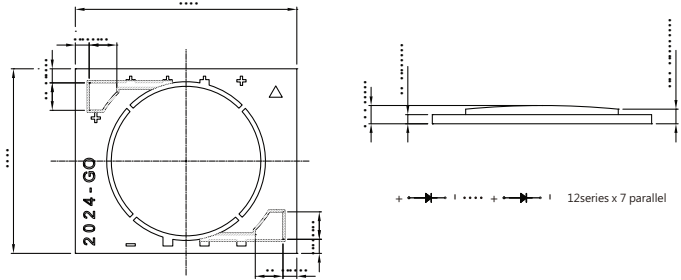
25W

Product	Size (LxWxHmm)	Forward Voltage (V)	Color	CCT (K)	Luminous Flux (lm)		CRI (min.)	Luminous Efficacy(lm/W)
					Min.	TYP		
JU2024-KM277S2-36725-3G0T	20x24x1.6	35~39	● Warm White	2700K	2400	2870	80	115
JU2024-KM307S3-36725-3G0T	20x24x1.6	35~39	● Warm White	3000K	2600	3000	80	120
JU2024-KM407S4-36725-3G0T	20x24x1.6	35~39	○ Neutral White	4000K	2800	3180	80	127
JU2024-KT507S5-36725-3G0T	20x24x1.6	35~39	○ Cool White	5000K	3000	3270	80	131

High Power LED | JU2024 Series 炬



UNIT : mm



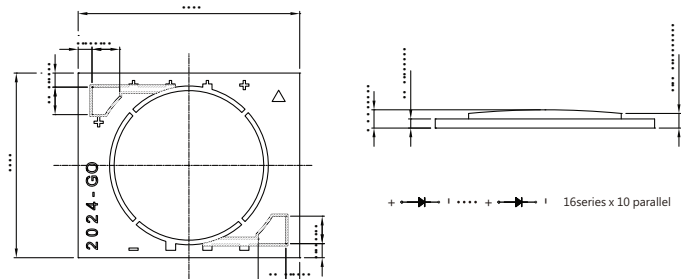
35W

Product	Size (LxWxHmm)	Forward Voltage (V)	Color	CCT (K)	Luminous Flux (lm)		CRI (min.)	Luminous Efficacy(lm/W)
					Min.	TYP		
JU2024-KM277S7-36A35-3G0T	20x24x1.6	35~39	● Warm White	2700K	3400	3890	80	111
JU2024-KM307S8-36A35-3G0T	20x24x1.6	35~39	● Warm White	3000K	3600	4070	80	116
JU2024-KM407S9-36A35-3G0T	20x24x1.6	35~39	○ Neutral White	4000K	3800	4315	80	123
JU2024-KT507M1-36A35-3G0T	20x24x1.6	35~39	○ Cool White	5000K	4000	4435	80	127

High Power LED | JU2024 Series 炬



UNIT : mm



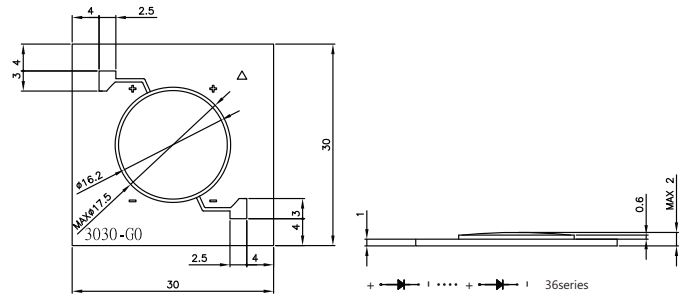
50W

Product	Size (LxWxHmm)	Forward Voltage (V)	Color	CCT (K)	Luminous Flux (lm)		CRI (min.)	Luminous Efficacy(lm/W)
					Min.	TYP		
JU2024-KM277M4-48A50-3G0T	20x24x1.6	46~53	● Warm White	2700K	4600	5165	80	103
JU2024-KM307M5-48A50-3G0T	20x24x1.6	46~53	● Warm White	3000K	4800	5400	80	108
JU2024-KM407M6-48A50-3G0T	20x24x1.6	46~53	○ Neutral White	4000K	5000	5725	80	115
JU2024-KT507M7-48A50-3G0T	20x24x1.6	46~53	○ Cool White	5000K	5200	5885	80	118

High Power LED ■ JU3030炬 (9W)



UNIT : mm

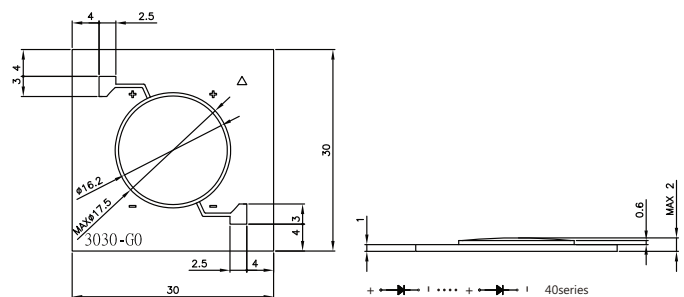


Product	Size (LxWxHmm)	Forward Voltage (V)	Color	CCT (K)	Luminous Flux (lm)		CRI (min.)	Luminous Efficacy(lm/W)
					Min.	TYP		
JU3030-KM276P1-A1109-0G0T	30x30x1.6	103~113	● Warm White	2700K	960	1105	80	123
JU3030-KM306P1-A1109-0G0T	30x30x1.6	103~113	● Warm White	3000K	960	1150	80	128
JU3030-KM406P2-A1109-0G0T	30x30x1.6	103~113	○ Neutral White	4000K	1050	1200	80	133
JU3030-KT506P2-A1109-0G0T	30x30x1.6	103~113	○ Cool White	5000K	1050	1235	80	137
JU3030-KT576P2-A1109-0G0T	30x30x1.6	103~113	○ Cool White	5700K	1050	1255	80	139
JU3030-KT656P2-A1109-0G0T	30x30x1.6	103~113	○ Cool White	6500K	1050	1255	80	139

High Power LED ■ JU3030炬 (13W)



UNIT : mm

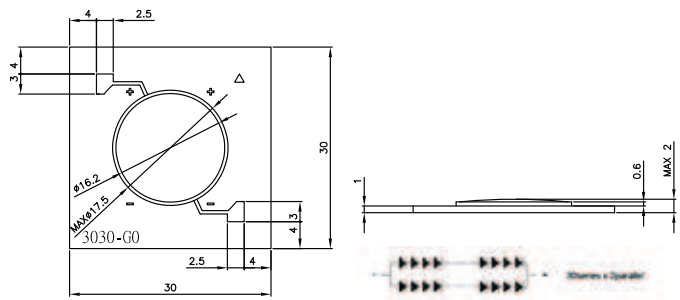


Product	Size (LxWxHmm)	Forward Voltage (V)	Color	CCT (K)	Luminous Flux (lm)		CRI (min.)	Luminous Efficacy(lm/W)
					Min.	TYP		
JU3030-KM276P5-A2113-0G0T	30x30x1.6	113~128	● Warm White	2700K	1350	1540	80	118
JU3030-KM306P5-A2113-0G0T	30x30x1.6	113~128	● Warm White	3000K	1350	1580	80	122
JU3030-KM406P6-A2113-0G0T	30x30x1.6	113~128	○ Neutral White	4000K	1500	1700	80	131
JU3030-KT506P6-A2113-0G0T	30x30x1.6	113~128	○ Cool White	5000K	1500	1720	80	132
JU3030-KT576P6-A2113-0G0T	30x30x1.6	113~128	○ Cool White	5700K	1500	1720	80	132
JU3030-KT656P6-A2113-0G0T	30x30x1.6	113~128	○ Cool White	6500K	1500	1720	80	132

High Power LED | JU3030 炬 (20W)



UNIT : mm

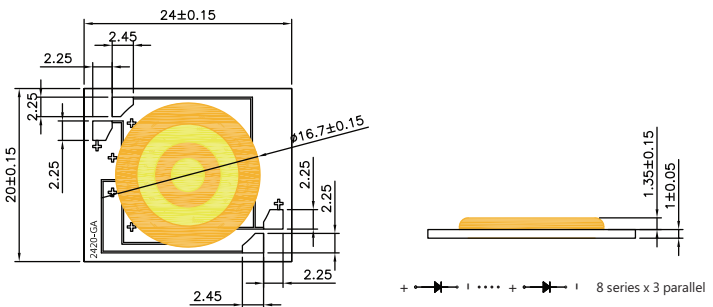


Product	Size (LxWxHmm)	Forward Voltage (V)	Color	CCT (K)	Luminous Flux (lm)		CRI (min.)	Luminous Efficacy(lm/W)
					Min.	TYP		
JU3030-KM276P8-90220-0G0T	30x30x1.6	88~103	● Warm White	2700K	1950	2160	80	108
JU3030-KT506S1-90220-0G0T	30x30x1.6	88~103	○ Cool White	5000K	2200	2450	80	123

High Power LED | CHI2024 熾 (9W) Color Choice



UNIT : mm

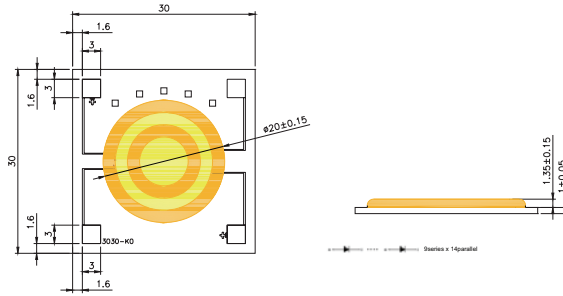


Product	Size (LxWxHmm)	Forward Voltage (V)	Forward Current(mA)		Color	CCT (K)	Luminous Flux (lm)		CRI (min.)
			Typ	Max			Min.	TYP	
CHI2024-KHAH4NG-24609-3G0T	20x24x2.35	23.2~27	350/0	350	● Warm White	2700K	800	880	80
	20x24x2.35	23.2~27	175/175	350	○ Neutral White	4000K	800	980	80
	20x24x2.35	23.2~27	0/350	350	○ Cool White	5700K	800	940	80

High Power LED | CHI3030_熾 (19W) Color Choice



UNIT : mm

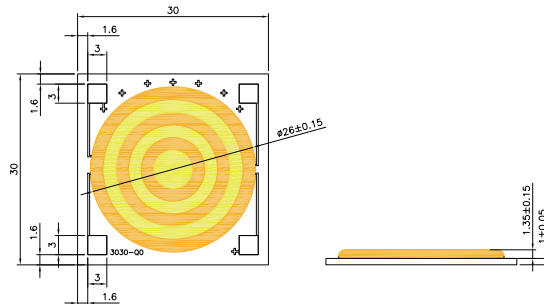


Product	Size (LxWxHmm)	Forward Voltage (V)	Color	CCT (K)	Luminous Flux (lm)		CRI (min.)	Luminous Efficacy (lm/W)
					Min.	TYP		
CHI3030- KHAH4P7-27E19-3K0T	30x30x2.35	26.0~31.0	● Warm White	3000K	1650	1890	80	99
	30x30x2.35	26.0~31.0	○ Neutral White	4000K	1800	2155	80	113
	30x30x2.35	26.0~31.0	○ Cool White	5700K	1800	2095	80	110

High Power LED | CHI3030_熾 (29W) Color Choice

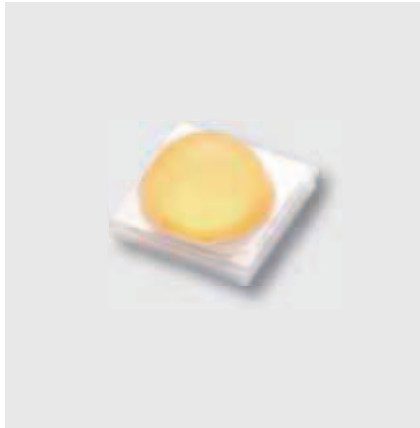


UNIT : mm

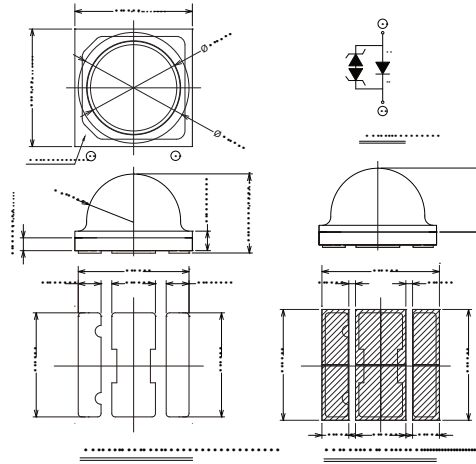


Product	Size (LxWxHmm)	Forward Voltage (V)	Color	CCT (K)	Luminous Flux (lm)		CRI (min.)	Luminous Efficacy (lm/W)
					Min.	TYP		
CHI3030- KHAH4S2-27L29-3Q0T	30x30x2.35	26.0~31.0	● Warm White	3000K	2400	2760	80	95
	30x30x2.35	26.0~31.0	○ Neutral White	4000K	2600	3110	80	107
	30x30x2.35	26.0~31.0	○ Cool White	5700K	2600	2990	80	103

High Power LED ■ Shwo (D) 燦 (D) (1W-3W)



UNIT : mm



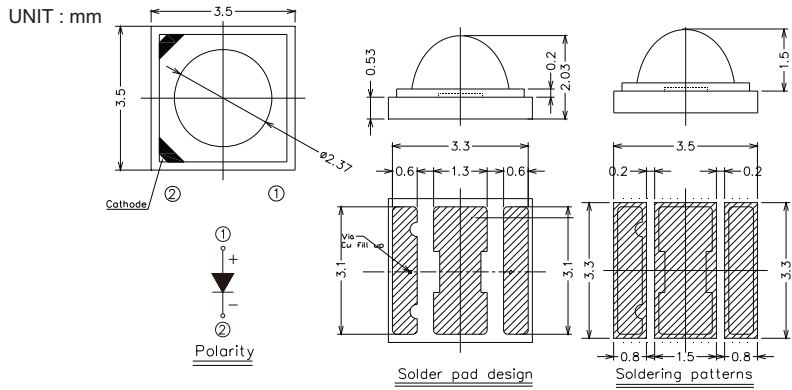
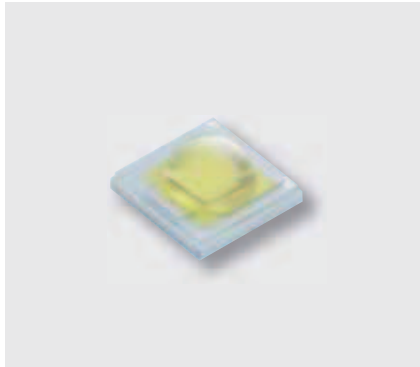
1W / 350mA

Product	Size (LxWxHmm)	Color	CCT (K)	Typ. Luminous Flux (lm)	CRI (min.)	Forward Voltage (V)
ELSWD-J31C1-1LPGC-C6500	3.5x3.5x2.35	○ Cool White	6500	125	70	2.95~4.15
ELSWD-J31C1-1LPGC-C5700	3.5x3.5x2.35	○ Cool White	5700	125	70	2.95~4.15
ELSWD-J21C1-1LPHC-C5700	3.5x3.5x2.35	○ Cool White	5700	115	80	2.95~4.15
ELSWD-J21C1-1LPGC-C5000	3.5x3.5x2.35	○ Cool White	5000	115	70	2.95~4.15
ELSWD-J21C1-1LPGC-C4500	3.5x3.5x2.35	○ Neutral White	4500	115	70	2.95~4.15
ELSWD-J11N1-1LPHC-C4500	3.5x3.5x2.35	○ Neutral White	4500	105	80	2.95~4.15
ELSWD-J11C1-1LPGC-C4000	3.5x3.5x2.35	○ Neutral White	4000	105	70	2.95~4.15
ELSWD-J11N1-1LPHC-C4000	3.5x3.5x2.35	○ Neutral White	4000	105	80	2.95~4.15
ELSWD-F91M1-1LPHE-C3500	3.5x3.5x2.35	● Warm White	3500	95	80	2.95~4.15
ELSWD-F91M1-1LPHE-C3000	3.5x3.5x2.35	● Warm White	3000	95	80	2.95~4.15
ELSWD-F81M1-1LPHE-C2700	3.5x3.5x2.35	● Warm White	2700	85	80	2.95~4.15

3W / 700mA

Product	Size (LxWxHmm)	Color	CCT (K)	Typ. Luminous Flux (lm)	CRI (min.)	Forward Voltage (V)
ELSWD-J31C1-1LPGC-C6500	3.5x3.5x2.35	○ Cool White	6500	210	70	2.95~4.15
ELSWD-J31C1-1LPGC-C5700	3.5x3.5x2.35	○ Cool White	5700	210	70	2.95~4.15
ELSWD-J21C1-1LPHC-C5700	3.5x3.5x2.35	○ Cool White	5700	190	80	2.95~4.15
ELSWD-J21C1-1LPGC-C5000	3.5x3.5x2.35	○ Cool White	5000	190	70	2.95~4.15
ELSWD-J21C1-1LPGC-C4500	3.5x3.5x2.35	○ Neutral White	4500	190	70	2.95~4.15
ELSWD-J11N1-1LPHC-C4500	3.5x3.5x2.35	○ Neutral White	4500	180	80	2.95~4.15
ELSWD-J11C1-1LPGC-C4000	3.5x3.5x2.35	○ Neutral White	4000	180	70	2.95~4.15
ELSWD-J11N1-1LPHC-C4000	3.5x3.5x2.35	○ Neutral White	4000	180	80	2.95~4.15
ELSWD-F91M1-1LPHE-C3500	3.5x3.5x2.35	● Warm White	3500	155	80	2.95~4.15
ELSWD-F91M1-1LPHE-C3000	3.5x3.5x2.35	● Warm White	3000	155	80	2.95~4.15
ELSWD-F81M1-1LPHE-C2700	3.5x3.5x2.35	● Warm White	2700	155	80	2.95~4.15

High Power LED | Shwo^燦 (1W, 3W)



1W / 350mA

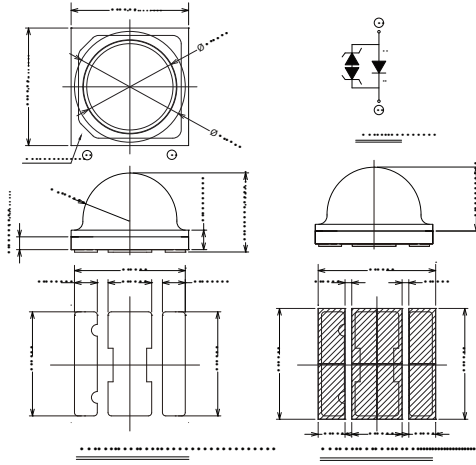
Product	Size (LxWxHmm)	Color	Wavelength (nm)	Typ. Radiant Power (mW)	CRI (min.)	Forward Voltage (V)
*ELSW-F61R1-0PPNM-AR5R6	3.5x3.5x2.03	Red	620~630	65	--	1.75~2.65
ELSW-F61O1-0PPNM-AR3R4	3.5x3.5x2.03	Orange	610~620	65	--	1.75~2.65
ELSW-F41Y1-0LPNM-AA3A5	3.5x3.5x2.03	Amber	585~592.5	48	--	1.75~2.65
*ELSW-F81G1-0GPNM-CG1G2	3.5x3.5x2.03	Green	520~530	85	--	2.95~3.85
*ELSW-E81B1-0LPNM-CB7B8	3.5x3.5x2.03	Blue	460~470	21	--	2.95~3.85
ELSW-Q91L1-0LPNM-CB4B6	3.5x3.5x2.03	Royal Blue	445~460	275	--	2.95~3.85
*ELSW-Q91E1-0LPNM-AD3D8	3.5x3.5x2.03	Red	645~675	275	--	2.05~2.95

Star mark * : *Product lead time of at least 8 weeks.

High Power LED | Shwo (N) 燦 (N)



UNIT : mm



High Luminous

Product	Size (LxWxHmm)	Color	CCT (K)	Typ. Luminous Flux (lm) @ 350mA	CRI (min.)	Forward Voltage (V)
ELSWN-JF1C1-5VPGS-C6500	3.5x3.5x2.35	○Cool White	6500	160	70	2.95~4.15
ELSWN-JF1C1-5VPGS-C5700	3.5x3.5x2.35	○Cool White	5700	160	70	2.95~4.15
ELSWN-JE1C1-5VPHS-C5700	3.5x3.5x2.35	○Cool White	5700	148	80	2.95~4.15
ELSWN-JF1C1-5VPGS-C5000	3.5x3.5x2.35	○Cool White	5000	160	70	2.95~4.15
ELSWN-JE1C1-5VPHS-C5000	3.5x3.5x2.35	○Cool White	5000	148	80	2.95~4.15
ELSWN-JE1N1-5VPGS-C4500	3.5x3.5x2.35	○Neutral White	4500	148	70	2.95~4.15
ELSWN-JC1N1-5VPHS-C4500	3.5x3.5x2.35	○Neutral White	4500	137	80	2.95~4.15
ELSWN-JE1N1-5VPGS-C4000	3.5x3.5x2.35	○Neutral White	4000	148	70	2.95~4.15
ELSWN-JC1N1-5VPHS-C4000	3.5x3.5x2.35	○Neutral White	4000	137	80	2.95~4.15
ELSWN-JB1M1-5VPHS-C3500	3.5x3.5x2.35	●Warm White	3500	126	80	2.95~4.15
ELSWN-JB1M1-5VPHS-C3000	3.5x3.5x2.35	●Warm White	3000	126	80	2.95~4.15
ELSWN-JB1M1-5VPHS-C2700	3.5x3.5x2.35	●Warm White	2700	126	80	2.95~4.15

Normal

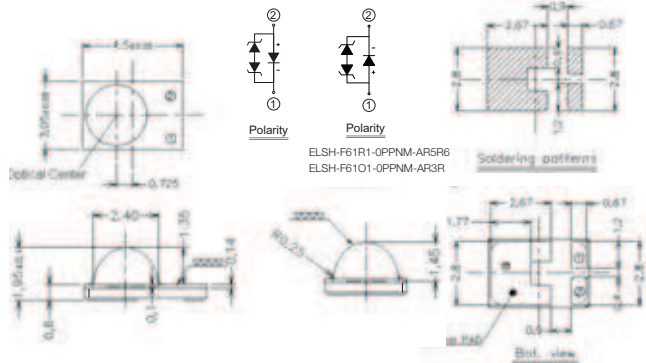
Product	Size (LxWxHmm)	Color	CCT (K)	Typ. Luminous Flux (lm) @ 350mA	CRI (min.)	Forward Voltage (V)
ELSWN-JE1C1-0VPGS-C6500	3.5x3.5x2.35	○Cool White	6500	150	70	2.95~4.15
ELSWN-JE1C1-0VPGS-C5700	3.5x3.5x2.35	○Cool White	5700	150	70	2.95~4.15
ELSWN-JC1C1-0VPHS-C5700	3.5x3.5x2.35	○Cool White	5700	138	80	2.95~4.15
ELSWN-JE1C1-0VPGS-C5000	3.5x3.5x2.35	○Cool White	5000	150	70	2.95~4.15
ELSWN-JC1C1-0VPHS-C5000	3.5x3.5x2.35	○Cool White	5000	138	80	2.95~4.15
ELSWN-JC1N1-0VPGS-C4500	3.5x3.5x2.35	○Neutral White	4500	138	70	2.95~4.15
ELSWN-JB1N1-0VPHS-C4500	3.5x3.5x2.35	○Neutral White	4500	127	80	2.95~4.15
ELSWN-JC1N1-0VPGS-C4000	3.5x3.5x2.35	○Neutral White	4000	138	70	2.95~4.15
ELSWN-JB1N1-0VPHS-C4000	3.5x3.5x2.35	○Neutral White	4000	127	80	2.95~4.15
ELSWN-JA1M1-0VPHS-C3500	3.5x3.5x2.35	●Warm White	3500	116	80	2.95~4.15
ELSWN-JA1M1-0VPHS-C3000	3.5x3.5x2.35	●Warm White	3000	116	80	2.95~4.15
ELSWN-JA1M1-0VPHS-C2700	3.5x3.5x2.35	●Warm White	2700	116	80	2.95~4.15

High Power LED | Shuen炫 (1W, 3W)

High Power LED



UNIT : mm



1W / 350mA

Product	Size (LxWxHmm)	Color	CCT (K)	Typ. Luminous Flux (lm)	CRI (min.)	Forward Voltage (V)
ELSH-F91C1-0LPGS-C6500	3.05x4.5x1.95	○Cool White	6500	95	70	2.95~3.85
ELSH-F91C1-0LPGS-C5700	3.05x4.5x1.95	○Cool White	5700	95	70	2.95~3.85
ELSH-F81C1-0LPGS-C5000	3.05x4.5x1.95	○Cool White	5000	85	70	2.95~3.85
ELSH-F81N1-0LPGS-C4500	3.05x4.5x1.95	○Neutral White	4500	85	75	2.95~3.85
ELSH-F81N1-0LPGS-C4000	3.05x4.5x1.95	○Neutral White	4000	85	75	2.95~3.85
ELSH-F71M1-0LPGS-C3500	3.05x4.5x1.95	○Warm White	3500	75	75	2.95~3.85
ELSH-F71M1-0LPGS-C3000	3.05x4.5x1.95	○Warm White	3000	75	75	2.95~3.85
ELSH-F61M1-0LPGS-C2700	3.05x4.5x1.95	○Warm White	2700	65	75	2.95~3.85

Product	Size (LxWxHmm)	Color	Wavelength (nm)	Typ. Luminous Flux (lm)	CRI (min.)	Forward Voltage (V)
*ELSH-F51R1-0LPNM-AR5R6	3.05x4.5x1.95	●Red	620~630	56	--	1.75~2.95
*ELSH-F61R1-0PPNM-AR5R6	3.05x4.5x1.95	●Red	620~630	65	--	1.75~2.95
ELSH-F51O1-0LPNM-AR3R4	3.05x4.5x1.95	●Orange	610~620	56	--	1.75~2.95
ELSH-F61O1-0PPNM-AR3R4	3.05x4.5x1.95	●Orange	610~620	65	--	1.75~2.95
ELSH-F41Y1-0LPNM-AA3A5	3.05x4.5x1.95	●Amber	585~592.5	48	--	1.75~2.95
ELSH-F41Y1-0LPNM-AA4A6	3.05x4.5x1.95	●Amber	587.5~595	48	--	1.75~2.95
ELSH-F81G1-0GPNM-CG1G2	3.05x4.5x1.95	●Green	520~530	85	--	2.95~3.85
ELSH-F81G1-0GPNM-CG2G3	3.05x4.5x1.95	●Green	525~535	85	--	2.95~3.85
*ELSH-E81B1-0LPNM-CB7B8	3.05x4.5x1.95	●Blue	460~470	21	--	2.95~3.85
ELSH-Q91L1-0LPNM-CB4B6	3.05x4.5x1.95	●Royal Blue	Wp 445~460	312 mW	--	2.95~3.85
*ELSH-Q91E1-0LPNM-JD3D8	3.05x4.5x1.95	●Deep Red	Wp 645~675	312 mW	--	2.05~2.95
*ELSH-Q61F1-0LPNM-JF3F8	3.05x4.5x1.95	●Far Red	Wp 715~745	150 mW	--	2.05~2.95

Star mark * : *Product lead time of at least 8 weeks.

3W / 700mA

Product	Size (LxWxHmm)	Color	CCT (K)	Typ. Luminous Flux (lm)	CRI (min.)	Forward Voltage (V)
ELSH-J61C3-0LPGS-D6500	3.05x4.5x1.95	○Cool White	6500	155	70	3.25~4.15
ELSH-J61C3-0LPGS-D5700	3.05x4.5x1.95	○Cool White	5700	155	70	3.25~4.15
ELSH-J51C3-0LPGS-D5000	3.05x4.5x1.95	○Cool White	5000	145	70	3.25~4.15
ELSH-J41N3-0LPGS-D4500	3.05x4.5x1.95	○Neutral White	4500	135	75	3.25~4.15
ELSH-J31N3-0LPGS-D4000	3.05x4.5x1.95	○Neutral White	4000	125	75	3.25~4.15
ELSH-J21M3-0LPGS-D3500	3.05x4.5x1.95	○Warm White	3500	115	75	3.25~4.15
ELSH-J21M3-0LPGS-D3000	3.05x4.5x1.95	○Warm White	3000	115	75	3.25~4.15
ELSH-J21M3-0LPGS-D2700	3.05x4.5x1.95	○Warm White	2700	115	75	3.25~4.15

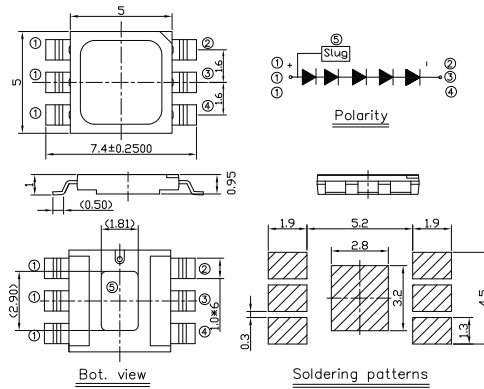
Product	Size (LxWxHmm)	Color	Wavelength (nm)	Typ. Luminous Flux (lm)	CRI (min.)	Forward Voltage (V)
ELSH-F91R3-0LPNM-BR4R6	3.05x4.5x1.95	●Red	615~630	95	--	2.05~3.25
ELSH-F91Y3-0LPNM-BA3A5	3.05x4.5x1.95	●Amber	585~592.5	95	--	2.05~3.25
*ELSH-J11G3-0LPNM-DG1G3	3.05x4.5x1.95	●Green	520~535	105	--	3.25~4.15
*ELSH-E91B3-0LPNM-DB6B8	3.05x4.5x1.95	●Blue	455~470	25	--	3.25~4.15

Star mark * : *Product lead time of at least 8 weeks.

High Power LED | A22 (1W-3W)



UNIT : mm



1W / 80mA

Product	Size (LxWxHmm)	Color	CCT (K)	Typ. Luminous Flux (lm)	CRI (min.)	Forward Voltage (V)
EHP-A22/GT35H-P01/65K/K53/TR	7.4x5x0.95	○ Cool White	6500	130	65	13.5~16.5
EHP-A22/GT35H-P01/57K/N12/TR	7.4x5x0.95	○ Cool White	5700	140	65	13.5~16.5
EHP-A22/GT35H-P01/57K/N11/TR	7.4x5x0.95	○ Cool White	5700	130	65	13.5~16.5
EHP-A22/KT35H-P01/57K/K53/TR	7.4x5x0.95	○ Cool White	5700	120	80	13.5~16.5
EHP-A22/GT35H-P01/50K/K53/TR	7.4x5x0.95	○ Cool White	5000	130	65	13.5~16.5
EHP-A22/KM35H-P01/45K/K51/TR	7.4x5x0.95	○ Neutral White	4500	115	80	13.5~16.5
EHP-A22/KM35H-P01/40K/K51/TR	7.4x5x0.95	● Warm White	4000	115	80	13.5~16.5
EHP-A22/KM35H-P01/35K/K51/TR	7.4x5x0.95	● Warm White	3500	115	80	13.5~16.5
EHP-A22/KM35H-P01/30K/K52/TR	7.4x5x0.95	● Warm White	3000	120	80	13.5~16.5
EHP-A22/KM35H-P01/30K/K51/TR	7.4x5x0.95	● Warm White	3000	110	80	13.5~16.5
EHP-A22/KM35H-P01/27K/K43/TR	7.4x5x0.95	● Warm White	2700	110	80	13.5~16.5

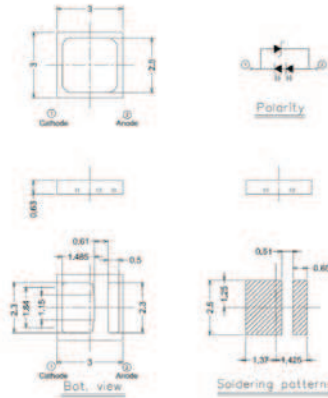
3W / 150mA

Product	Size (LxWxHmm)	Color	CCT (K)	Typ. Luminous Flux (lm)	CRI (min.)	Forward Voltage (V)
EHP-A22/GT35H-P01/65K/K53/TR	7.4x5x0.95	○ Cool White	6500	230	65	14.7~17.7
EHP-A22/GT35H-P01/57K/N12/TR	7.4x5x0.95	○ Cool White	5700	240	65	14.7~17.7
EHP-A22/GT35H-P01/57K/N11/TR	7.4x5x0.95	○ Cool White	5700	240	65	14.7~17.7
EHP-A22/KT35H-P01/57K/K53/TR	7.4x5x0.95	○ Cool White	5700	220	80	14.7~17.7
EHP-A22/GT35H-P01/50K/K53/TR	7.4x5x0.95	○ Cool White	5000	230	65	14.7~17.7
EHP-A22/KM35H-P01/45K/K51/TR	7.4x5x0.95	○ Neutral White	4500	200	80	14.7~17.7
EHP-A22/KM35H-P01/40K/K51/TR	7.4x5x0.95	● Warm White	4000	200	80	14.7~17.7
EHP-A22/KM35H-P01/35K/K51/TR	7.4x5x0.95	● Warm White	3500	190	80	14.7~17.7
EHP-A22/KM35H-P01/30K/K52/TR	7.4x5x0.95	● Warm White	3000	210	80	14.7~17.7
EHP-A22/KM35H-P01/30K/K51/TR	7.4x5x0.95	● Warm White	3000	190	80	14.7~17.7
EHP-A22/KM35H-P01/27K/K43/TR	7.4x5x0.95	● Warm White	2700	180	80	14.7~17.7

High Power LED | XI3030 Series (3030 package, 1W, 6V)



UNIT : mm



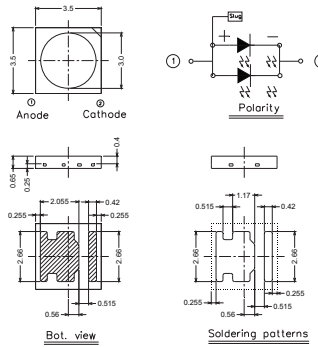
1W / 150mA

Product	Size (LxWxHmm)	Color	CCT (K)	Typ. Luminous Flux (lm) @ 150mA	CRI (min.)	Forward Voltage (V)
XI3030/KK3C-H6565S2S658661Z15/2N	3×3×0.63	○ Cool White	6500	125	80	5.8~6.6
XI3030/KK3C-H5757S2S658661Z15/2N	3×3×0.63	○ Cool White	5700	125	80	5.8~6.6
XI3030/KK3C-H5050S2S658661Z15/2N	3×3×0.63	○ Cool White	5000	125	80	5.8~6.6
XI3030/KK3C-H4040S2S658661Z15/2N	3×3×0.63	○ Neutral White	4000	115	80	5.8~6.6
XI3030/KK3C-H3030S2S658661Z15/2N	3×3×0.63	○ Warm White	3000	115	80	5.8~6.6
XI3030/KK3C-H2727S1S5 58661Z15/2N	3×3×0.63	○ Warm White	2700	111	80	5.8~6.6

High Power LED | XI3535 Series (3535 package, 1W, 3V)



UNIT : mm



1W / 3V

Product	Size (LxWxHmm)	Color	CCT (K)	Typ. Luminous Flux (lm) @ 350mA	CRI (min.)	Forward Voltage (V)
XI3535-KM277F9-03201-000P	3.5x3.5x0.65	● Warm White	2700K	100	80	2.95~3.85
XI3535-KM307F9-03201-000P	3.5x3.5x0.65	● Warm White	3000K	104	80	2.95~3.85
XI3535-KM357F9-03201-000P	3.5x3.5x0.65	● Warm White	3500K	105	80	2.95~3.85
XI3535-HM307F8-03201-000P	3.5x3.5x0.65	● Warm White	3000K	84	93	2.95~3.85
XI3535-KM407F9-03201-000P	3.5x3.5x0.65	○ Neutral White	4000K	107	85	2.95~3.85
XI3535-KT507J1-03201-000P	3.5x3.5x0.65	○ Cool White	5000K	110	80	2.95~3.85
XI3535-KT577J1-03201-000P	3.5x3.5x0.65	○ Cool White	5700K	111	80	2.95~3.85
XI3535-KT607J1-03201-000P	3.5x3.5x0.65	○ Cool White	6000K	129	80	2.95~3.85
XI3535-KT657J1-03201-000P	3.5x3.5x0.65	○ Cool White	6500K	108	80	2.95~3.85
XI3535-PT577F9-03201-000P	3.5x3.5x0.65	○ Cool White	5700K	97	93	2.95~3.85

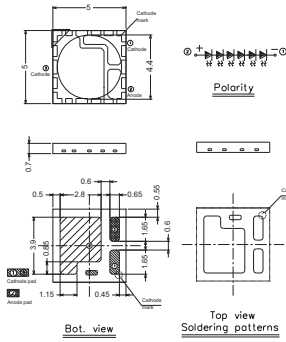
1W / 6V

Product	Size (LxWxHmm)	Color	CCT (K)	Typ. Luminous Flux (lm) @ 150mA	CRI (min.)	Forward Voltage (V)
XI3535-KT657J3-06101-000P	3.5x3.5x0.65	○ Cool White	6500K	123	80	6.0-6.6
XI3535-KT577J3-06101-000P	3.5x3.5x0.65	○ Cool White	5700K	125	80	6.0-6.6
XI3535-KT507J3-06101-000P	3.5x3.5x0.65	○ Cool White	5000K	124	80	6.0-6.6
XI3535-KM407J2-06101-000P	3.5x3.5x0.65	○ Neutral White	4000K	119	80	6.0-6.6
XI3535-KM307J2-06101-000P	3.5x3.5x0.65	● Warm White	3000K	118	80	6.0-6.6
XI3535-KM277J2-06101-000P	3.5x3.5x0.65	● Warm White	2700K	113	80	6.0-6.6

High Power LED | XI5050 Series (5050 package, 4W, 18V)



UNIT : mm



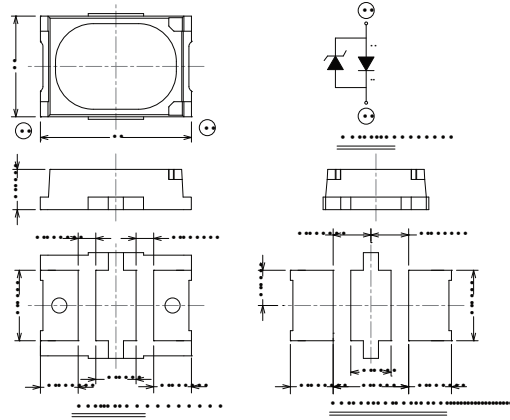
1W / 3V

Product	Size (LxWxHmm)	Color	CCT (K)	Typ. Luminous Flux (lm) @ 150mA	CRI (min.)	Forward Voltage (V)
XI5050-KM277K9-20104-000P	5.0x5.0x0.7	● Warm White	2700K	472	80	18~22
XI5050-KM307N1-20104-000P	5.0x5.0x0.7	● Warm White	3000K	485	80	18~22
XI5050-KM407N1-20104-000P	5.0x5.0x0.7	○ Neutral White	4000K	491	80	18~22
XI5050-KT507N2-20104-000P	5.0x5.0x0.7	○ Cool White	5000K	510	80	18~22
XI5050-KT577N2-20104-000P	5.0x5.0x0.7	○ Cool White	5700K	512	80	18~22
XI5050-KT657N2-20104-000P	5.0x5.0x0.7	○ Cool White	6500K	508	80	18~22

Low Middle Power LED | 45-21S Series (3020 package, 0.1W / 0.2W)



UNIT : mm



0.1W / 30mA

Product	Size (LxWxHmm)	Color	CCT (K)	Typ. Luminous Flux (lm) @ 30mA	CRI (min.)	Forward Voltage (V)
45-21S/KK3C-H6565L1L4B4Z3/2T	3x2x0.8	○ Cool White	6500	10	80	2.9~3.6
45-21S/KK3C-H6060L1L4B4Z3/2T	3x2x0.8	○ Cool White	6000	10	80	2.9~3.6
45-21S/KK3C-H5757L1L4B4Z3/2T	3x2x0.8	○ Cool White	5700	10	80	2.9~3.6
45-21S/KK3C-H5050L1L4B4Z3/2T	3x2x0.8	○ Cool White	5000	10	80	2.9~3.6
45-21S/KK3C-H4040L1L4B4Z3/2T	3x2x0.8	○ Neutral White	4000	10	80	2.9~3.6
45-21S/KK3C-H3535B9L3B4Z3/2T	3x2x0.8	○ Neutral White	3500	9.5	80	2.9~3.6
45-21S/KK3C-H3030B9L3B4Z3/2T	3x2x0.8	● Warm White	3000	9.5	80	2.9~3.6
45-21S/KK3C-H2727B8L3B4Z3/2T	3x2x0.8	● Warm White	2700	9	80	2.9~3.6

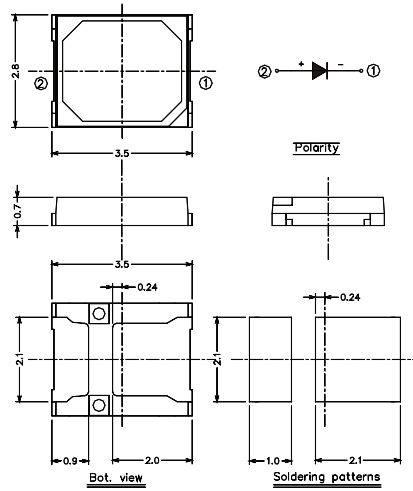
0.2W / 60mA

Product	Size (LxWxHmm)	Color	CCT (K)	Typ. Luminous Flux (lm) @ 60mA	CRI (min.)	Forward Voltage (V)
45-21S/KK2D-H6565M4N4B2Z6/2T	3x2x0.8	○ Cool White	6500	21	80	2.9~3.6
45-21S/KK2D-H5757M4N4B2Z6/2T	3x2x0.8	○ Cool White	5700	21	80	2.9~3.6
45-21S/KK2D-H5050M4N4B2Z6/2T	3x2x0.8	○ Cool White	5000	21	80	2.9~3.6
45-21S/KK2D-H4040M4N4B2Z6/2T	3x2x0.8	○ Neutral White	4000	21	80	2.9~3.6
45-21S/KK2D-H3030M3N4B2Z6/2T	3x2x0.8	● Warm White	3000	20	80	2.9~3.6
45-21S/KK2D-H2727M3N4B2Z6/2T	3x2x0.8	● Warm White	2700	19	80	2.9~3.6

Low Middle Power LED | 67-21S Series (2835 package, 0.2W)



UNIT : mm



0.2W / 60mA

Product	Size (LxWxHmm)	Color	CCT (K)	Typ. Luminous Flux (lm) @ 60mA	CRI (min.)	Forward Voltage (V)
67-21S/KK2C-H6565M41N42936Z6/2T	3.5x2.8x0.7	○ Cool White	6500	24	80	2.9~3.6
67-21S/KK2C-H6060M41N42936Z6/2T	3.5x2.8x0.7	○ Cool White	6000	24	80	2.9~3.6
67-21S/KK2C-H5757M41N42936Z6/2T	3.5x2.8x0.7	○ Cool White	5700	24	80	2.9~3.6
67-21S/KK2C-H5353M41N42936Z6/2T	3.5x2.8x0.7	○ Cool White	5300	24	80	2.9~3.6
67-21S/KK2C-H5050M41N42936Z6/2T	3.5x2.8x0.7	○ Cool White	5000	24	80	2.9~3.6
67-21S/KK2C-H4040M4N42936Z6/2T	3.5x2.8x0.7	○ Neutral White	4000	23	80	2.9~3.6
67-21S/KK2C-H3535M31N42936Z6/2T	3.5x2.8x0.7	○ Neutral White	3500	22	80	2.9~3.6
67-21S/KK2C-H3030M31N42936Z6/2T	3.5x2.8x0.7	○ Warm White	3000	22	80	2.9~3.6
67-21S/KK2C-H2727M3N42936Z6/2T	3.5x2.8x0.7	○ Warm White	2700	21	80	2.9~3.6

Product	Size (LxWxHmm)	Color	CCT (K)	Typ. Luminous Flux (lm) @ 60mA	CRI (min.)	Forward Voltage (V)
67-21S/KK3C-H5757N3P32936Z6/2T	3.5x2.8x0.7	○ Cool White	5700	25	80	2.9~3.6
67-21S/KK3C-H5050N3P32936Z6/2T	3.5x2.8x0.7	○ Cool White	5000	25	80	2.9~3.6
67-21S/KK3C-H4040M42P32936Z6/2T	3.5x2.8x0.7	○ Neutral White	4000	24	80	2.9~3.6
67-21S/KK3C-H3030M41N42936Z6/2T	3.5x2.8x0.7	○ Warm White	3000	23	80	2.9~3.6
67-21S/KK3C-H2727M31N42936Z6/2T	3.5x2.8x0.7	○ Warm White	2700	21	80	2.9~3.6

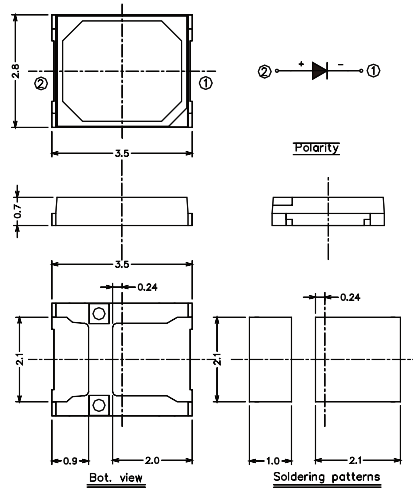
0.2W / CRI 90

Product	Size (LxWxHmm)	Color	CCT (K)	Typ. Luminous Flux (lm) @ 60mA	CRI (min.)	Forward Voltage (V)
67-21S/HK2C-H5757M3N42936Z6/2T	3.5x2.8x0.7	○ Cool White	5700	20	90	2.9~3.6
67-21S/HK2C-H5050M3N42936Z6/2T	3.5x2.8x0.7	○ Cool White	5000	20	90	2.9~3.6
67-21S/HK2C-H4040L9N32936Z6/2T	3.5x2.8x0.7	○ Neutral White	4000	19	90	2.9~3.6
67-21S/HK2C-H3030L8M42936Z6/2T	3.5x2.8x0.7	○ Warm White	3000	18	90	2.9~3.6

Low Middle Power LED | 67-21S Series (2835 package, 0.5W)



UNIT : mm



0.5W / 150mA

Product	Size (LxWxHmm)	Color	CCT (K)	Typ. Luminous Flux (lm) @ 150mA	CRI (min.)	Forward Voltage (V)
67-21S/KK2C-H6565R1R42835Z15/2T	3.5x2.8x0.7	○ Cool White	6500	54	80	2.8~3.5
67-21S/KK2C-H6060R1R42835Z15/2T	3.5x2.8x0.7	○ Cool White	6000	54	80	2.8~3.5
67-21S/KK2C-H5757R1R42835Z15/2T	3.5x2.8x0.7	○ Cool White	5700	54	80	2.8~3.5
67-21S/KK2C-H5050R1R42835Z15/2T	3.5x2.8x0.7	○ Cool White	5000	54	80	2.8~3.5
67-21S/KK2C-H4040QAR32835Z15/2T	3.5x2.8x0.7	○ Neutral White	4000	52	80	2.8~3.5
67-21S/KK2C-H3535QAR32835Z15/2T	3.5x2.8x0.7	○ Neutral White	3500	50	80	2.8~3.5
67-21S/KK2C-H3030QAR32835Z15/2T	3.5x2.8x0.7	● Warm White	3000	49	80	2.8~3.5
67-21S/KK2C-H2727PBR22835Z15/2T	3.5x2.8x0.7	● Warm White	2700	46	80	2.8~3.5

Product	Size (LxWxHmm)	Color	CCT (K)	Typ. Luminous Flux (lm) @ 150mA	CRI (min.)	Forward Voltage (V)
67-21S/KK3C-H6565R2R52835Z15/2T	3.5x2.8x0.7	○ Cool White	6500	58	80	2.8~3.5
67-21S/KK3C-H5757R2R52835Z15/2T	3.5x2.8x0.7	○ Cool White	5700	58	80	2.8~3.5
67-21S/KK3C-H5050R2R52835Z15/2T	3.5x2.8x0.7	○ Cool White	5000	58	80	2.8~3.5
67-21S/KK3C-H4040R1R42835Z15/2T	3.5x2.8x0.7	○ Neutral White	4000	52	80	2.8~3.5
67-21S/KK3C-H3030R1R42835Z15/2T	3.5x2.8x0.7	● Warm White	3000	52	80	2.8~3.5
67-21S/KK3C-H2727QAR32835Z15/2T	3.5x2.8x0.7	● Warm White	2700	47	80	2.8~3.5

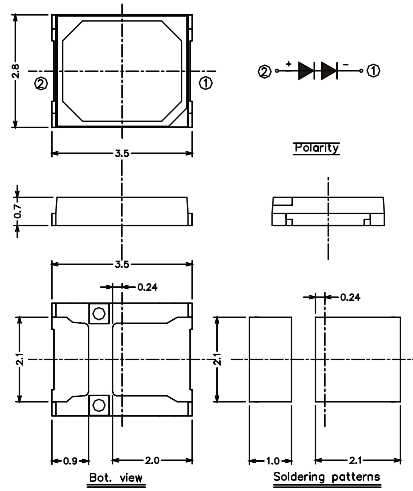
0.5W / CRI 90

Product	Size (LxWxHmm)	Color	CCT (K)	Typ. Luminous Flux (lm) @ 150mA	CRI (min.)	Forward Voltage (V)
67-21S/HK3C-H6565R11R42835Z15/2T	3.5x2.8x0.7	○ Cool White	6500	56	80	2.8~3.5
67-21S/HK3C-H5757R11R42835Z15/2T	3.5x2.8x0.7	○ Cool White	5700	56	80	2.8~3.5
67-21S/HK3C-H5050R11R42835Z15/2T	3.5x2.8x0.7	○ Cool White	5000	56	80	2.8~3.5
67-21S/HK3C-H4040R1R42835Z15/2T	3.5x2.8x0.7	○ Neutral White	4000	53	80	2.8~3.5
67-21S/HK3C-H3030QA1R32835Z15/2T	3.5x2.8x0.7	● Warm White	3000	50	80	2.8~3.5
67-21S/HK3C-H2727QAR32835Z15/2T	3.5x2.8x0.7	● Warm White	2700	48	80	2.8~3.5

Low Middle Power LED | 67-22ST Series (2835 package, 1W)



UNIT : mm



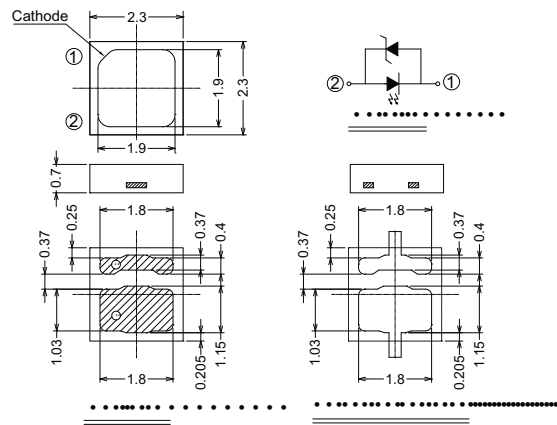
1W / 150mA

Product	Size (LxWxHmm)	Color	CCT (K)	Typ. Luminous Flux (lm) @ 150mA	CRI (min.)	Forward Voltage (V)
67-22ST/KK3C-H6565S2BS65670Z15/2T	3.5x2.8x0.7	○ Cool White	6500	123	80	5.6~7.0
67-22ST/KK3C-H5757S2BS65670Z15/2T	3.5x2.8x0.7	○ Cool White	5700	123	80	5.6~7.0
67-22ST/KK3C-H5050S2BS65670Z15/2T	3.5x2.8x0.7	○ Cool White	5000	123	80	5.6~7.0
67-22ST/KK3C-H4040S2S65670Z15/2T	3.5x2.8x0.7	○ Neutral White	4000	117	80	5.6~7.0
67-22ST/KK3C-H3030S2S65670Z15/2T	3.5x2.8x0.7	● Warm White	3000	117	80	5.6~7.0
67-22ST/KK3C-H2727S1BS65670Z15/2T	3.5x2.8x0.7	● Warm White	2700	112	80	5.6~7.0

Low Middle Power LED | 2323 Series (0.2W)



UNIT : mm

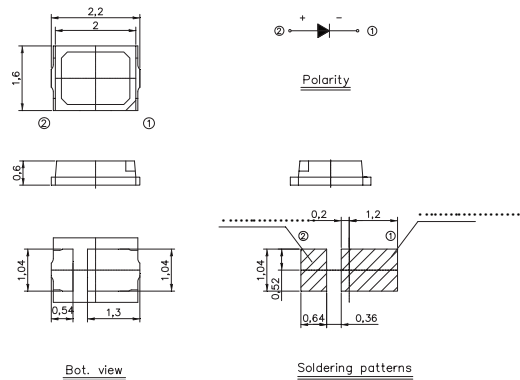


Product	Size (LxWxHmm)	Color	CCT (K)	Typ. Luminous Flux (lm) @ 60mA	CRI (min.)	Forward Voltage (V)
XI2323/KK3C-H6565M4P3B63Z6/2T	2.3x2.3x0.7	○ Cool White	6500	21	80	2.6-3.3
XI2323/KK3C-H5757M4P3B63Z6/2T	2.3x2.3x0.7	○ Cool White	5700	21	80	2.6-3.3
XI2323/KK3C-H5050M4P3B63Z6/2T	2.3x2.3x0.7	○ Cool White	5000	21	80	2.6-3.3
XI2323/KK3C-H4040M3P3B63Z6/2T	2.3x2.3x0.7	○ Neutral White	4000	20	80	2.6-3.3
XI2323/KK3C-H3030M3P3B63Z6/2T	2.3x2.3x0.7	● Warm White	3000	20	80	2.6-3.3
XI2323/KK3C-H2727M3N4B63Z6/2T	2.3x2.3x0.7	● Warm White	2700	19	80	2.6-3.3

Low Middle Power LED | 37-21S Series (2016 package, 0.2W)



UNIT : mm

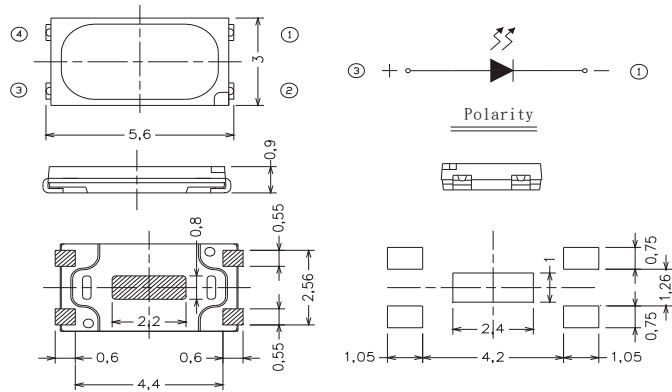


Product	Size (LxWxHmm)	Color	CCT (K)	Typ. Luminous Flux (lm) @ 60mA	CRI (min.)	Forward Voltage (V)
37-21S/KK3C-H6565M42N42936Z6/2T	2x1.6x0.6	○ Cool White	6500	23.5	80	2.9~3.6
37-21S/KK3C-H5757M42N42936Z6/2T	2x1.6x0.6	○ Cool White	5700	24.5	80	2.9~3.6
37-21S/KK3C-H5050M42N42936Z6/2T	2x1.6x0.6	○ Cool White	5000	24.5	80	2.9~3.6
37-21S/KK3C-H4040M41N42936Z6/2T	2x1.6x0.6	○ Neutral White	4000	23.5	80	2.9~3.6
37-21S/KK3C-H3030M4N42936Z6/2T	2x1.6x0.6	● Warm White	3000	22.5	80	2.9~3.6
37-21S/KK3C-H2727M31N32936Z6/2T	2x1.6x0.6	● Warm White	2700	21	80	2.9~3.6

Low Middle Power LED | 62-217B Series (5630 package, 0.2W / 0.5W)



UNIT : mm



0.2W / 60mA

Product	Size (LxWxHmm)	Color	CCT (K)	Typ. Luminous Flux (lm) @ 60mA	CRI (min.)	Forward Voltage (V)
62-217B/KK2C-H6565M3N4B2Z6/2T	5.6×3×0.9	○Cool White	6500	20	80	2.9~3.6
62-217B/KK2C-H5757M3N4B2Z6/2T	5.6×3×0.9	○Cool White	5700	20	80	2.9~3.6
62-217B/KK2C-H5050M3N4B2Z6/2T	5.6×3×0.9	○Cool White	5000	20	80	2.9~3.6
62-217B/KK2C-H4040L9N3B2Z6/2T	5.6×3×0.9	○Neutral White	4000	19	80	2.9~3.6
62-217B/KK2C-H3535L9N3B2Z6/2T	5.6×3×0.9	○Neutral White	3500	19	80	2.9~3.6
62-217B/KK2C-H3030L9N3B2Z6/2T	5.6×3×0.9	○Warm White	3000	19	80	2.9~3.6
62-217B/KK2C-H2727L8N3B2Z6/2T	5.6×3×0.9	○Warm White	2700	18	80	2.9~3.6

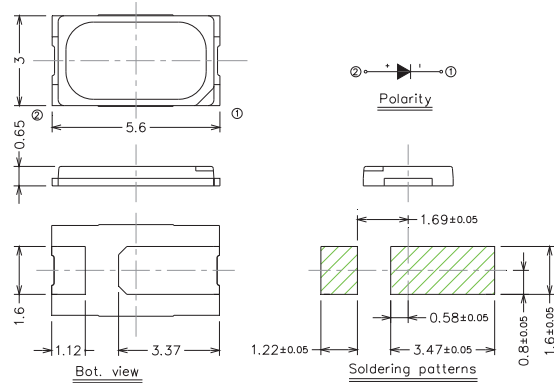
0.5W / 150mA

Product	Size (LxWxHmm)	Color	CCT (K)	Typ. Luminous Flux (lm) @ 150mA	CRI (min.)	Forward Voltage (V)
62-217B/KK2C-H6565R1R4B4Z215/2T	5.6×3×0.9	○Cool White	6500	52.5	80	2.8~3.5
62-217B/KK2C-H5757R1R4B4Z215/2T	5.6×3×0.9	○Cool White	5700	52.5	80	2.8~3.5
62-217B/KK2C-H5050R1R4B4Z215/2T	5.6×3×0.9	○Cool White	5000	52.5	80	2.8~3.5
62-217B/KK2C-H4040QAR3B4Z215/2T	5.6×3×0.9	○Neutral White	4000	47	80	2.8~3.5
62-217B/KK2C-H3535QAR3B4Z215/2T	5.6×3×0.9	○Neutral White	3500	47	80	2.8~3.5
62-217B/KK2C-H3030QAR3B4Z215/2T	5.6×3×0.9	○Warm White	3000	47	80	2.8~3.5
62-217B/KK2C-H2727PBR2B4Z215/2T	5.6×3×0.9	○Warm White	2700	42	80	2.8~3.5

Low Middle Power LED | 62-217D Series (5630 package, 0.2W / 0.5W)



UNIT : mm



0.2W / 60mA

Product	Size (LxWxHmm)	Color	CCT (K)	Typ. Luminous Flux (lm) @ 60mA	CRI (min.)	Forward Voltage (V)
62-217D/KK2C-H6565M3N4B2Z6/2T	5.6×3×0.65	○Cool White	6500	20	80	2.9~3.6
62-217D/KK2C-H5757M3N4B2Z6/2T	5.6×3×0.65	○Cool White	5700	20	80	2.9~3.6
62-217D/KK2C-H5050M3N4B2Z6/2T	5.6×3×0.65	○Cool White	5000	20	80	2.9~3.6
62-217D/KK2C-H4040L9N3B2Z6/2T	5.6×3×0.65	○Neutral White	4000	19	80	2.9~3.6
62-217D/KK2C-H3030L9N3B2Z6/2T	5.6×3×0.65	●Warm White	3000	19	80	2.9~3.6
62-217D/KK2C-H2727L8M4B2Z6/2T	5.6×3×0.65	●Warm White	2700	18	80	2.9~3.6

0.5W / 150mA

Product	Size (LxWxHmm)	Color	CCT (K)	Typ. Luminous Flux (lm) @ 150mA	CRI (min.)	Forward Voltage (V)
62-217D/KK3D-H6565R2R52835Z15/2T	5.6×3×0.65	○Cool White	6500	60	80	2.8~3.5
62-217D/KK3D-H5757R2R52835Z15/2T	5.6×3×0.65	○Cool White	5700	60	80	2.8~3.5
62-217D/KK3D-H5050R2R52835Z15/2T	5.6×3×0.65	○Cool White	5000	60	80	2.8~3.5
62-217D/KK3D-H4040R1R42835Z15/2T	5.6×3×0.65	○Neutral White	4000	54	80	2.8~3.5
62-217D/KK3D-H3030R1R42835Z15/2T	5.6×3×0.65	●Warm White	3000	54	80	2.8~3.5
62-217D/KK3D-H2727QAR32835Z15/2T	5.6×3×0.65	●Warm White	2700	48	80	2.8~3.5

Product	Size (LxWxHmm)	Color	CCT (K)	Typ. Luminous Flux (lm) @ 150mA	CRI (min.)	Forward Voltage (V)
62-217D/KK4D-H6565R3R62835Z15/2T	5.6×3×0.65	○Cool White	6500	65	80	2.8~3.5
62-217D/KK4D-H5757R3R62835Z15/2T	5.6×3×0.65	○Cool White	5700	65	80	2.8~3.5
62-217D/KK4D-H5050R3R62835Z15/2T	5.6×3×0.65	○Cool White	5000	65	80	2.8~3.5
62-217D/KK4D-H4040R3R62835Z15/2T	5.6×3×0.65	○Neutral White	4000	65	80	2.8~3.5
62-217D/KK4D-H3030R2R52835Z15/2T	5.6×3×0.65	●Warm White	3000	60	80	2.8~3.5
62-217D/KK4D-H2727R1R42835Z15/2T	5.6×3×0.65	●Warm White	2700	54	80	2.8~3.5