



www.niccomp.com/pcn | Technical Support: tpmg@niccomp.com

November 9, 2010
SUB: NIC Components PCN & EOL Notifications

RE: EOL Notification

Product Type: Radial Leaded Film Capacitors
NIC Series: NEM Series

THE FOLLOWING IS NOTICE THAT THE NEM SERIES IS BEING DISCONTINUED.

Last Time Buy Date: 2/4/2011
Last Time Ship Date: 5/4/2011

REASON FOR TERMINATION: LOW DEMAND

See table 1 for affected NIC part numbers*:

For alternatives NIC suggests the use of the **Film Capacitor QuickBUILDER** (http://www.niccomp.com/products/qb_film.asp) to best find an alternative SMT or other Leaded Film Capacitor.

Discontinued Part Numbers
NEM102K100F
NEM152K100F
NEM222K100F
NEM332K100F
NEM472K100F
NEM682K100F
NEM822K100F
NEM103K100F
NEM153K100F
NEM223K100F
NEM333K100F
NEM473K100F
NEM683K100F
NEM823K100F
NEM104K100F
NEM154K100F
NEM224K100F
NEM334K100F
NEM474K100F

*Note: EOL includes all optional tolerance and packaging styles.

Follow NIC PCN alerts to get email notifications of EOL and PCN announcements at www.niccomp.com/pcn

Polyester Film Capacitors

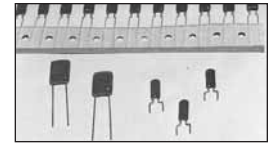
NEM Series

EPOXY COATED, INDUCTIVE, FILM CAPACITORS,
RADIAL LEADS

FEATURES

- MULTIPLE COATS OF EPOXY
- INDUCTIVE CONSTRUCTION FOR MANY CONSUMER AND INSTRUMENT APPLICATIONS
- SUBMINIATURE, UNIFORM SIZING
- ECONOMICALLY PRICED
- OPTIONAL TAPING FOR AUTOMATIC INSERTION
- LEAD FORMING AND CUTTING AVAILABLE ON SPECIAL ORDER

RoHS Compliant
includes all homogeneous materials

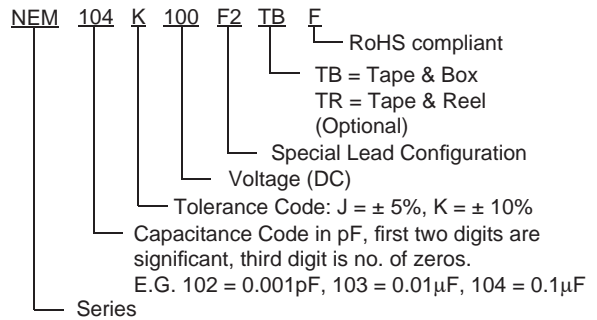


*See Part Number System for Details

SPECIFICATIONS

Operating Temperature	-40°C ~ +105°C
Rated Voltage (VDC)	100V (200V on Special Order)
Capacitance Range	0.001μF ~ 0.47μF
Capacitance Tolerance	±10% (K), ±5% (J)
Insulation Resistance	50,000 Megohm Min.
Dissipation Factor	≤0.0075 (at 1KHz)
Dielectric Strength	250% of Rated Voltage for 5 Seconds

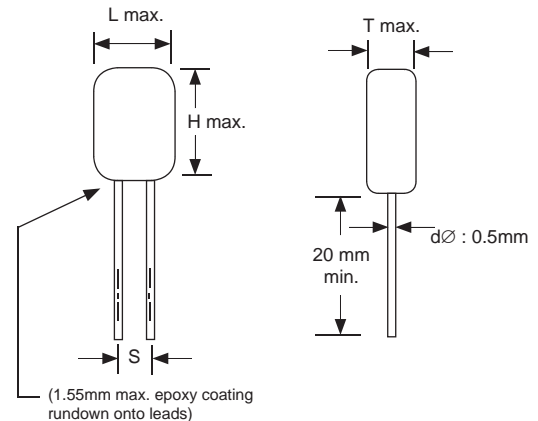
PART NUMBER SYSTEM



STANDARD PRODUCTS AND CASE SIZE TABLE (mm)

Case (μF)	Voltage			
	100VDC/63VAC			
	L	T	H	S
0.001	5.5	3.5	12.5	3.5
0.0015	5.5	3.5	12.5	3.5
0.0022	5.5	3.5	12.5	3.5
0.0033	6.0	3.5	12.0	4.0
0.0047	6.5	3.5	12.0	4.0
0.0068	6.5	3.5	12.0	4.0
0.01	6.5	4.0	12.0	4.0
0.015	7.0	4.0	12.5	4.5
0.022	7.5	4.0	12.5	6.0
0.033	8.5	4.5	12.5	6.0
0.047	9.5	5.0	12.5	6.0
0.068	10.0	5.5	13.0	6.0
0.1	11.0	6.5	13.0	6.5
0.15	12.5	7.5	15.0	7.0
0.22	13.5	8.5	16.0	7.5
0.33	16.0	9.0	19.0	10.0
0.47	18.0	10.0	20.0	10.0

NOTE: OTHER VALUES AVAILABLE ON SPECIAL ORDER



S ±1.0mm for Lead spacing ≤ 6mm.
S ±1.5mm for Lead spacing > 6mm.

