

PARALINE
TRANSFORMER SPECIALISTS



CATALOG 322

Paraline Transformers

A Division of Arga Controls unit of Electro Switch Corp. Tel: 626-799-3314 FAX: 626-799-9407

PARALINE MANUFACTURES A WIDE VARIETY OF POWER TRANSFORMERS. THEY ARE AVAILABLE IN 16 SIZES, 36 SECONDARY VOLTAGES AND 13 CASE STYLE VARIATIONS TOTALING OVER 3400 DIFFERENT TYPES.

THERE ARE 15 GENERAL SERIES DESIGNATIONS. EACH SERIES IS DESIGNED TO SUIT THE REQUIREMENTS OF YOUR PARTICULAR APPLICATION.

A BRIEF DESCRIPTION OF EACH SERIES IS AS FOLLOWS:

- THE "SS" SERIES HAS A SINGLE 120V PRIMARY AND A SINGLE CENTER TAPPED SECONDARY. ALSO AVAILABLE WITH 240V PRIMARY. PAGE 3 AND 5
- THE "DS" SERIES HAS DUAL PRIMARIES FOR 120V OR 240V OPERATIONS AND TWO IDENTICAL AND SEPARATE SECONDARIES. ALSO AVAILABLE WITH 240/480V PRIMARIES. PAGE 4 AND 6
- THE "MS" SERIES HAS DUAL PRIMARIES FOR 120V OR 240V OPERATIONS AND TWO CENTER TAPPED SECONDARIES DESIGNED FOR 5V LOGIC AND +/-12V OR +/-15V OP AMP POWER SUPPLIES. PAGE 7-8
- THE "CS" SERIES HAS A SINGLE 120V PRIMARY AND TWO IDENTICAL AND SEPARATE SECONDARIES. ALSO AVAILABLE WITH 240V PRIMARY. PAGE 9-10
- THE "HP" SERIES PROVIDES A SINGLE 120V PRIMARY AND DUAL SECONDARIES ON AN 8 PIN PRINTED CIRCUIT DESIGN. PAGE 11
- THE "DHP" SERIES SIMILAR IN DESIGN TO THE "HP" SERIES, BUT OFFERS DUAL 120V PRIMARIES FOR 120V OR 240V OPERATION. PAGE 11
- THE "DLP" SERIES IS A LOW PROFILE DESIGN OFFERING DUAL PRIMARIES AND DUAL SECONDARIES IN A 12 PIN PRINTED CIRCUIT CONFIGURATION. PAGE 12
- THE "MLP" SERIES IS ALSO A LOW PROFILE TRANSFORMER WITH DUAL PRIMARIES AND DUAL CENTER TAPPED SECONDARIES DESIGNED FOR MICROPROCESSOR +/- POWER SUPPLIES. PAGE 12
- THE "SQC" SERIES HAS A SINGLE 120V PRIMARY AND A SINGLE CENTER TAPPED SECONDARY IN A QUICK CONNECT TERMINAL DESIGN. PAGE 13
- THE "DQC" SERIES IS A DUAL 120V PRIMARY AND A DUAL SECONDARY IN A QUICK CONNECT DESIGN. PAGE 14
- THE "MQC" SERIES IS A SINGLE 120V PRIMARY AND DUAL SECONDARY DESIGNED FOR MICROPROCESSOR +/- POWER SUPPLIES IN A QUICK CONNECT STYLE. PAGE 15
- THE "DMQC" SERIES IS A DUAL 120V PRIMARY AND DUAL SECONDARY DESIGNED FOR MICROPROCESSOR +/- POWER SUPPLIES IN A QUICK CONNECT STYLE. PAGE 15
- THE "TT" SERIES INCLUDES A NUMBER OF COUPLING TRANSFORMERS, HOLDING COILS, AND TELEPHONE ASSOCIATED DEVICES FOR USE IN INTERCONNECTIVE DATA MODEM TERMINALS. PAGE 16
- THE "WC" SERIES IS DESIGNED TO MEET THE SPECIFICATIONS OF VDE, TUV AND THE GLOBAL MARKET. PAGE 17-18

ALL PARALINE POWER TRANSFORMERS ARE DESIGNED TO OPERATE FROM 47-63 Hz.

THE NEXT TIME YOU HAVE A TRANSFORMER REQUIREMENT, ALLOW US TO ASSIST YOU. PARALINE TRANSFORMER TAKES GREAT PRIDE IN THE EXTENSIVE SELECTION OF OUR STOCK LINE TRANSFORMERS.

IF YOUR REQUIREMENTS CANNOT BE MET BY OUR STOCK LINE, WE WILL ASSIST YOU IN DESIGNING THE EXACT TRANSFORMER YOU NEED.

OUR PRODUCTION FACILITY COMBINES AUTOMATION, ROBOTICS AND HUMAN INGENUITY, WHICH ALLOWS US TO PRODUCE CONSISTENT HIGH QUALITY PARTS WITH COMPETITIVE PRICING. ALL PARALINE TRANSFORMERS ARE MANUFACTURED IN THE UNITED STATES OF AMERICA BY PARALINE.

APPROXIMATE COMPONENT WEIGHT(S)

CASE	WEIGHT IN POUNDS										
	SIZE 2	SIZE 3	SIZE 4	SIZE 5	SIZE 5.5	SIZE 6	SIZE 7	SIZE 7.5	SIZE 8	SIZE 8.5	SIZE 9
A	-	-	.25	.40	-	.60	1.10	-	1.6	-	2.4
B	-	-	-	-	-	-	1.10	-	1.6	-	-
C	.03	.07	.19	.31	-	.50	.81	-	-	-	-
E	-	-	.25	.40	-	.60	1.10	-	1.6	-	2.4
HP	-	.17	.25	.44	-	.70	.80	-	1.1	-	-
LP	-	-	.31	.44	-	.69	.94	-	1.31	-	-
L	-	-	.22	.35	.48	.60	.91	1.2	-	1.9	-
N	-	-	.15	-	-	-	-	-	-	-	-
QC	-	-	.25	.40	-	.60	1.10	-	1.7	-	2.8

CASE	WEIGHT IN POUNDS				
	SIZE 10	SIZE 11	SIZE 12	SIZE 13	SIZE 14
F	3.4	4.5	5.9	8.8	12
G	3.4	4.5	5.9	8.8	12
H	3.4	4.5	5.9	8.8	12
K	3.4	4.5	5.9	8.8	12

NOTE:

ALL DUAL PRIMARY POWER TRANSFORMERS ARE DESIGNED TO USE BOTH PRIMARIES SIMULTANEOUSLY. BOTH PRIMARIES MUST BE CONNECTED EITHER IN SERIES OR IN PARALLEL.

PARALINE SS SERIES

THE PARALINE SS SERIES PROVIDES YOU WITH A WIDE RANGE OF SELECTION IN SMALL 120V PRIMARY POWER TRANSFORMERS (47-63 Hz).

AVAILABLE VOLTAGES CENTER TAPPED AND CURRENT RATINGS OF SECONDARIES

VOLTS C/T	AMPERES							
	SIZE 3	SIZE 4	SIZE 5	SIZE 6	SIZE 7	SIZE 8	SIZE 9	
4	.100	.50	1.2	2.4	4.8	9.6	14	
6.3	.065	.32	.75	1.5	3.0	6.0	9	
8	.050	.28	.60	1.2	2.4	4.8	7	
10	.045	.20	.48	.96	1.9	3.8	5.6	
12.6	.038	.17	.38	.76	1.5	3.0	4.5	
14	.033	.15	.34	.68	1.35	2.7	4.0	
16	.030	.13	.30	.60	1.20	2.4	3.7	
18	.026	.12	.26	.52	1.05	2.1	3.5	
20	.024	.11	.24	.48	.96	1.9	3.2	
22	.021	.10	.22	.44	.88	1.75	3.0	
24	.019	.095	.20	.40	.80	1.60	2.7	
26	.018	.090	.18	.36	.72	1.45	2.5	
28	.016	.080	.17	.34	.68	1.35	2.2	
30	.015	.070	.16	.32	.64	1.28	2.0	
32	.014	.065	.15	.30	.60	1.20	1.9	
34	.013	.060	.14	.28	.56	1.10	1.8	
36	.012	.055	.13	.26	.52	1.05	1.7	
40	.011	.050	.12	.24	.48	.96	1.6	
44	.010	.050	.11	.22	.44	.88	1.5	
48	.009	.045	.10	.20	.40	.80	1.3	
52	.009	.040	.09	.18	.36	.72	1.2	
56	.008	.040	.08	.16	.32	.64	1.1	
60	.007	.035	.08	.15	.30	.60	1.0	
66	.007	.030	.07	.14	.28	.56	.90	
72	.006	.027	.065	.13	.26	.52	.85	
80	.005	.025	.060	.12	.24	.48	.80	
88	.005	.024	.055	.11	.22	.44	.70	
96	.004	.022	.050	.10	.20	.40	.65	
104	.004	.020	.045	.09	.18	.36	.60	
120	.004	.017	.040	.08	.16	.32	.50	
140		.014	.035	.07	.14	.28	.40	
160		.012	.030	.06	.12	.24	.35	
180		.011	.025	.05	.10	.20	.30	
200		.010	.023	.046	.09	.18	.28	
220		.010	.022	.044	.09	.17	.26	
240		.009	.020	.040	.08	.16	.24	

Case A Available in sizes 4, 5, 6, 7, 8 & 9 (Lead Wires, Horizontal)

Case C Available in sizes 3, 4, 5, 6 & 7 (6 Pin Printed Circuit)

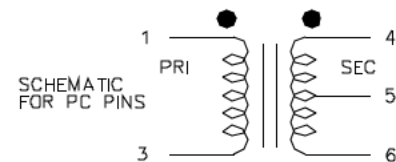
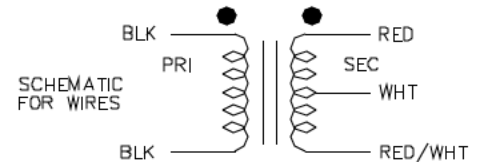
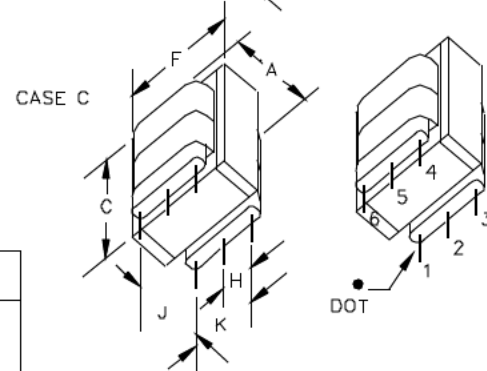
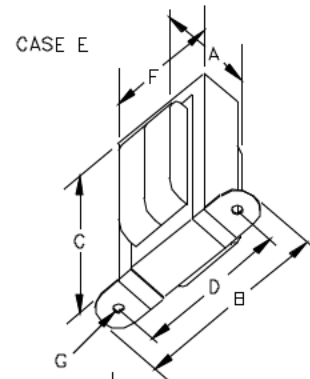
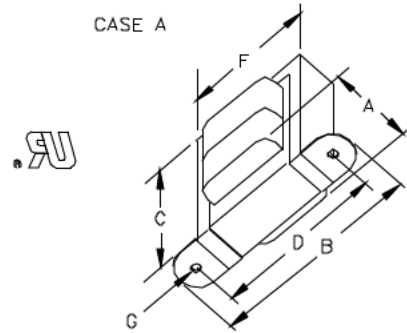
Case E Available in sizes 4, 5, 6, 7, 8 & 9 (Lead Wires, Vertical)

SS SERIES DIMENSIONAL DATA

CASE	SIZE	A	B	C	D	F	G	H TYP	JxK
A	4	1.20	2.05	1.21	1.75	1.45	.187		
A	5	1.37	2.35	1.40	2.00	1.70	.187		
A	6	1.46	2.83	1.65	2.38	1.97	.187		
A	7	1.75	3.27	1.96	2.83	2.33	.187		
A	8	2.05	3.71	2.28	3.13	2.71	.187		
A	9	2.35	4.00	2.61	3.63	3.08	.187		
C	3	0.93		0.88		1.05	.20	.78x.40	
C	4	1.15		1.19		1.39	.32	1.0x.63	
C	5	1.27		1.38		1.63	.40	1.1x.80	
C	6	1.44		1.63		1.89	.40	1.3x.80	
C	7	2.34		1.40		1.63	.40	2.1x.80	
E	4	1.20	1.83	1.45	1.50	1.23	.187		
E	5	1.37	2.00	1.70	1.72	1.40	.187		
E	6	1.46	2.38	1.96	2.00	1.65	.187		
E	7	1.75	2.93	2.35	2.38	1.98	.187		
E	8	2.05	3.15	2.72	2.83	2.75	.187		
E	9	2.35	3.60	3.10	3.18	2.58	.187		

REFER TO SS SERIES TRANSFORMERS BY PART NUMBERS.

SAMPLE: SSE 6 - 6.3
 SERIES CASE TOTAL SERIES VOLTS SIZE



PARALINE DS SERIES

THE PARALINE DS SERIES PROVIDES YOU WITH A SELECTION OF 120/240 VOLT 47-63 Hz POWER TRANSFORMERS WITH DUAL SECONDARIES.

AVAILABLE TOTAL SERIES VOLTAGES AND CURRENT RATINGS OF SECONDARIES

VOLTS (SERIES)	AMPERES					
	SIZE 4	SIZE 5	SIZE 6	SIZE 7	SIZE 8	SIZE 9
4	.50	1.2	2.4	4.8	9.6	14
6.3	.32	.75	1.5	3.0	6.0	9
8	.28	.60	1.2	2.4	4.8	7
10	.20	.48	.96	1.9	3.8	5.6
12.6	.17	.38	.76	1.5	3.0	4.5
14	.15	.34	.68	1.35	2.7	4.0
16	.13	.30	.60	1.20	2.4	3.7
18	.12	.26	.52	1.05	2.1	3.5
20	.11	.24	.48	.96	1.9	3.2
22	.10	.22	.44	.88	1.75	3.0
24	.095	.20	.40	.80	1.60	2.7
26	.090	.18	.36	.72	1.45	2.5
28	.080	.17	.34	.68	1.35	2.2
30	.070	.16	.32	.64	1.28	2.0
32	.065	.15	.30	.60	1.20	1.9
34	.060	.14	.28	.56	1.10	1.8
36	.055	.13	.26	.52	1.05	1.7
40	.050	.12	.24	.48	.96	1.6
44	.050	.11	.22	.44	.88	1.5
48	.045	.10	.20	.40	.80	1.3
52	.040	.09	.18	.36	.72	1.2
55	.040	.08	.16	.32	.64	1.1
60	.035	.08	.15	.30	.60	1.0
66	.030	.07	.14	.28	.56	.90
72	.027	.065	.13	.26	.52	.85
80	.025	.060	.12	.24	.48	.80
88	.024	.055	.11	.22	.44	.70
96	.022	.050	.10	.20	.40	.65
104	.020	.045	.09	.18	.36	.60
120	.017	.040	.08	.16	.32	.50
140	.014	.035	.07	.14	.28	.40
160	.012	.030	.06	.12	.24	.35
180	.011	.025	.05	.10	.20	.30
200	.010	.023	.046	.09	.18	.28
220	.010	.022	.044	.09	.17	.26
240	.009	.020	.040	.08	.16	.24

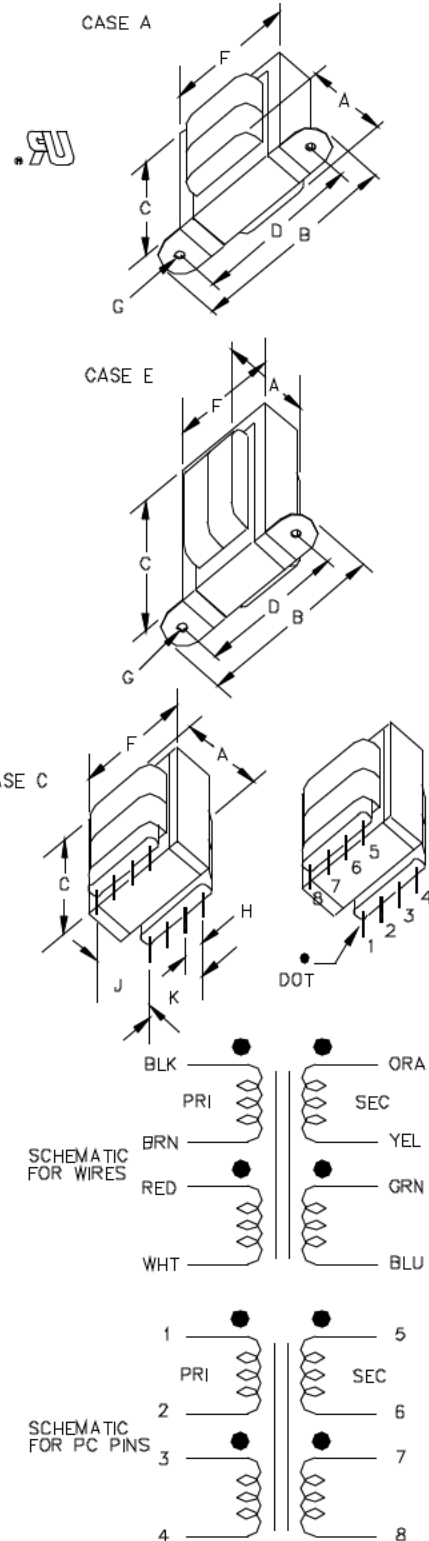
Case A Available in sizes 6, 7, 8 & 9 (Lead Wires, Horizontal)
Case C Available in sizes 4, 5, 6 & 7 (8 Pin Printed Circuit)
Case E Available in sizes 6, 7, 8 & 9 (Lead Wires, Vertical)

DS SERIES DIMENSIONAL DATA

CASE	SIZE	A	B	C	D	F	G	H TYP	JxK
A	6	1.46	2.83	1.65	2.38	1.97	.187		
A	7	1.75	3.27	1.96	2.83	2.33	.187		
A	8	2.05	3.71	2.28	3.13	2.71	.187		
A	9	2.35	4.00	2.61	3.63	3.08	.187		
C	4	1.15		1.19		1.39		.20	1.0x.60
C	5	1.27		1.38		1.63		.25	1.1x.75
C	6	1.44		1.63		1.89		.25	1.3x.75
C	7	2.34		1.40		1.63		.25	2.1x.75
E	6	1.46	2.38	1.96	2.00	1.65	.187		
E	7	1.75	2.93	2.35	2.38	1.98	.187		
E	8	2.05	3.15	2.72	2.83	2.75	.187		
E	9	2.35	3.60	3.10	3.18	2.58	.187		

REFER TO DS SERIES TRANSFORMERS BY PART NUMBERS.

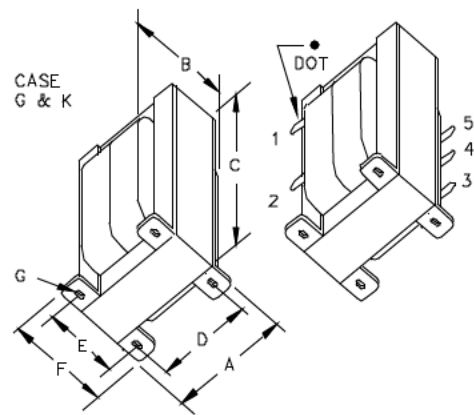
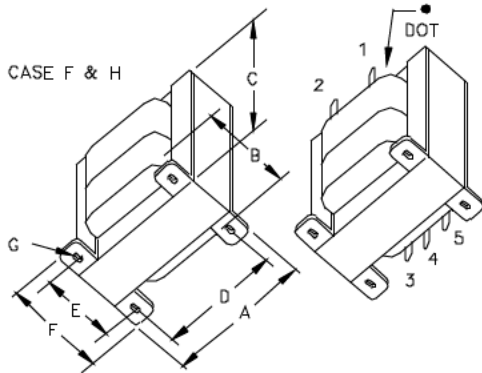
SAMPLE: DSA 6 - 6.3
SERIES CASE TOTAL SERIES VOLTS SIZE



PARALINE SS SERIES CONTINUED

ALL SS SERIES TRANSFORMERS (EXCEPT SIZE 3) ARE ALSO AVAILABLE WITH 240V (47-63Hz) PRIMARIES.

AVAILABLE VOLTAGES CENTER TAPPED AND CURRENT RATINGS OF SECONDARIES



VOLTS C/T	AMPERES				
	SIZE 10	SIZE 11	SIZE 12	SIZE 13	SIZE 14
6.3	15	22	30	38	63
8	12	17	24	30	50
10	9.5	14	20	24	40
12.6	7.5	11	16	19	32
14	7.0	10	14	17	28
16	6.0	8.7	12	15	25
18	5.3	7.7	11	13	22
20	4.8	7.0	10	12	20
22	4.4	6.3	9.0	11	18
24	4.0	5.8	8.3	10	17
26	3.7	5.4	7.8	9.2	15
28	3.4	5.0	7.1	8.5	14
30	3.2	4.6	6.6	8.0	13
32	3.0	4.3	6.2	7.5	12
34	2.8	4.1	5.8	7.0	11.6
36	2.6	3.8	5.5	6.6	10.9
40	2.4	3.5	5.0	6.0	10.0
44	2.2	3.1	4.5	5.4	9.0
48	2.0	2.9	4.1	5.0	8.3
52	1.8	2.7	3.8	4.6	7.6
56	1.7	2.5	3.5	4.2	7.0
60	1.6	2.3	3.3	4.0	6.7
66	1.45	2.1	3.0	3.6	6.0
72	1.33	1.9	2.7	3.3	5.5
80	1.20	1.7	2.5	3.0	5.0
88	1.10	1.6	2.2	2.7	4.5
96	1.00	1.4	2.0	2.5	4.2
104	.92	1.3	1.9	2.3	3.8
120	.80	1.1	1.6	2.0	3.3
140	.68	1.0	1.4	1.7	2.8
160	.60	.87	1.2	1.5	2.5
180	.53	.77	1.1	1.3	2.2
200	.48	.70	1.0	1.2	2.0
220	.43	.63	.90	1.1	1.8
240	.40	.58	.83	1.0	1.6

Case F Available in sizes 10, 11, 12, 13 & 14 (Lead Wires, Horizontal)

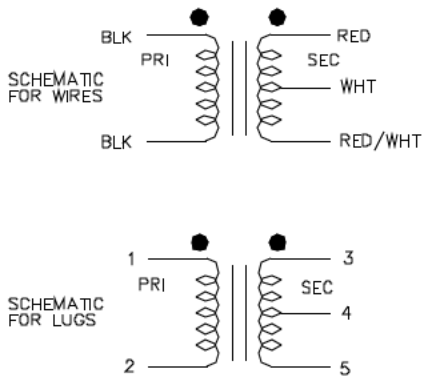
Case G Available in sizes 10, 11, 12, 13 & 14 (Lugs, Vertical)

Case H Available in sizes 10, 11, 12, 13 & 14 (Lugs, Horizontal)

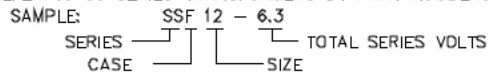
Case K Available in sizes 10, 11, 12, 13 & 14 (Lead Wires, Vertical)

SS SERIES DIMENSIONAL DATA

CASE	SIZE	A	B	C	D	E	F	G
F	10	3.38	2.50	2.81	2.81	2.13	2.69	.2x.37
F	11	3.75	2.80	3.13	3.13	2.25	2.81	.2x.37
F	12	4.13	3.00	3.44	3.44	2.38	2.94	.2x.37
F	13	4.50	3.30	3.75	3.75	2.50	3.15	.2x.37
F	14	4.50	4.40	3.75	3.75	3.50	4.15	.2x.37
G	10	2.81	2.50	3.38	2.25	2.13	2.69	.2x.37
G	11	3.13	2.80	3.75	2.50	2.25	2.81	.2x.37
G	12	3.44	3.00	4.13	2.75	2.38	2.94	.2x.37
G	13	3.75	3.30	4.50	3.00	2.50	3.15	.2x.37
G	14	3.75	4.40	4.50	3.00	3.50	4.15	.2x.37
H	10	3.38	2.50	2.81	2.81	2.13	2.69	.2x.37
H	11	3.75	2.80	3.13	3.13	2.25	2.81	.2x.37
H	12	4.13	3.00	3.44	3.44	2.38	2.94	.2x.37
H	13	4.50	3.30	3.75	3.75	2.50	3.15	.2x.37
H	14	4.50	4.40	3.75	3.75	3.50	4.15	.2x.37
K	10	2.81	2.50	3.38	2.25	2.13	2.69	.2x.37
K	11	3.13	2.80	3.75	2.50	2.25	2.81	.2x.37
K	12	3.44	3.00	4.13	2.75	2.38	2.94	.2x.37
K	13	3.75	3.30	4.50	3.00	2.50	3.15	.2x.37
K	14	3.75	4.40	4.50	3.00	3.50	4.15	.2x.37



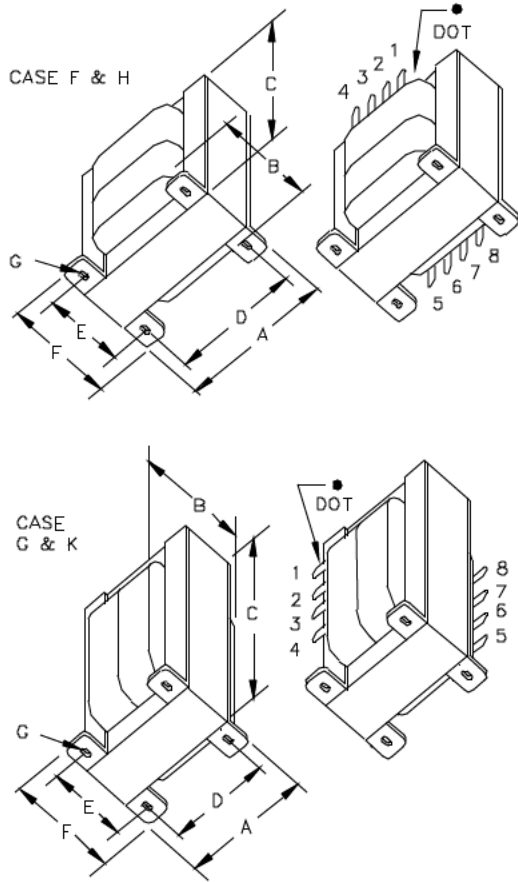
REFER TO SS SERIES TRANSFORMERS BY PART NUMBERS.



PARALINE DS SERIES CONTINUED

ALL DS SERIES TRANSFORMERS (EXCEPT SIZE 4) ARE ALSO AVAILABLE WITH 240/480 VOLT 47-63 Hz PRIMARIES.

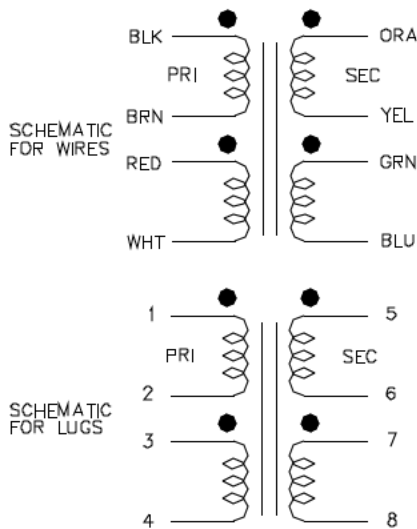
AVAILABLE TOTAL SERIES VOLTAGES AND CURRENT RATINGS OF SECONDARIES



VOLTS (SERIES)	AMPERES				
	SIZE 10	SIZE 11	SIZE 12	SIZE 13	SIZE 14
8	12	17	24	30	50
10	9.5	14	20	24	40
12.6	7.5	11	16	19	32
14	7.0	10	14	17	28
16	6.0	8.7	12	15	25
18	5.3	7.7	11	13	22
20	4.8	7.0	10	12	20
22	4.4	6.3	9.0	11	18
24	4.0	5.8	8.3	10	17
26	3.7	5.4	7.8	9.2	15
28	3.4	5.0	7.1	8.5	14
30	3.2	4.6	6.6	8.0	13
32	3.0	4.3	6.2	7.5	12
34	2.8	4.1	5.8	7.0	11.6
36	2.6	3.8	5.5	6.6	10.9
40	2.4	3.5	5.0	6.0	10.0
44	2.2	3.1	4.5	5.4	9.0
48	2.0	2.9	4.1	5.0	8.3
52	1.8	2.7	3.8	4.6	7.6
56	1.7	2.5	3.5	4.2	7.0
60	1.6	2.3	3.3	4.0	6.7
66	1.45	2.1	3.0	3.6	6.0
72	1.33	1.9	2.7	3.3	5.5
80	1.20	1.7	2.5	3.0	5.0
88	1.10	1.6	2.2	2.7	4.5
96	1.00	1.4	2.0	2.5	4.2
104	.92	1.3	1.9	2.3	3.8
120	.80	1.1	1.6	2.0	3.3
140	.68	1.0	1.4	1.7	2.8
160	.60	.87	1.2	1.5	2.5
180	.53	.77	1.1	1.3	2.2
200	.48	.70	1.0	1.2	2.0
220	.43	.63	.90	1.1	1.8
240	.40	.58	.83	1.0	1.6

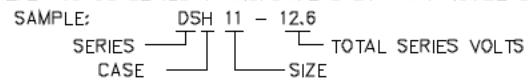
Case F Available in sizes 10, 11, 12, 13 & 14 (Lead Wires, Horizontal)
 Case G Available in sizes 10, 11, 12, 13 & 14 (Lugs, Vertical)
 Case H Available in sizes 10, 11, 12, 13 & 14 (Lugs, Horizontal)
 Case K Available in sizes 10, 11, 12, 13 & 14 (Lead wires, Vertical)

DS SERIES DIMENSIONAL DATA



CASE	SIZE	A	B	C	D	E	F	G
F	10	3.38	2.50	2.81	2.81	2.13	2.69	.2x.37
F	11	3.75	2.80	3.13	3.13	2.25	2.81	.2x.37
F	12	4.13	3.00	3.44	3.44	2.38	2.94	.2x.37
F	13	4.50	3.30	3.75	3.75	2.50	3.15	.2x.37
F	14	4.50	4.40	3.75	3.75	3.50	4.15	.2x.37
G	10	2.81	2.50	3.38	2.25	2.13	2.69	.2x.37
G	11	3.13	2.80	3.75	2.50	2.25	2.81	.2x.37
G	12	3.44	3.00	4.13	2.75	2.38	2.94	.2x.37
G	13	3.75	3.30	4.50	3.00	2.50	3.15	.2x.37
G	14	3.75	4.40	4.50	3.00	3.50	4.15	.2x.37
H	10	3.38	2.50	2.81	2.81	2.13	2.69	.2x.37
H	11	3.75	2.80	3.13	3.13	2.25	2.81	.2x.37
H	12	4.13	3.00	3.44	3.44	2.38	2.94	.2x.37
H	13	4.50	3.30	3.75	3.75	2.50	3.15	.2x.37
H	14	4.50	4.40	3.75	3.75	3.50	4.15	.2x.37
K	10	2.81	2.50	3.38	2.25	2.13	2.69	.2x.37
K	11	3.13	2.80	3.75	2.50	2.25	2.81	.2x.37
K	12	3.44	3.00	4.13	2.75	2.38	2.94	.2x.37
K	13	3.75	3.30	4.50	3.00	2.50	3.15	.2x.37
K	14	3.75	4.40	4.50	3.00	3.50	4.15	.2x.37

REFER TO DS SERIES TRANSFORMERS BY PART NUMBERS.



PARALINE MS SERIES

THE PARALINE MS SERIES TRANSFORMERS HAVE DUAL SECONDARIES WITH CENTER-TAPS AND ARE DESIGNED FOR MICROPROCESSOR POWER SUPPLIES.

8 PIN P.C. WITH SINGLE 120V PRIMARY

PART NUMBER	SEC. #1 V/CT	MA.	SEC. #2 V/CT	MA.
MSC4-924	9.0	70	24	30
MSC5-924	9.0	240	24	70
MSC6-924	9.0	480	24	150
MSC7-924	9.0	1000	24	300
MSC4-1632	16	50	32	18
MSC5-1632	16	140	32	55
MSC6-1632	16	280	32	100
MSC7-1632	16	600	32	200
MSC4-1636	16	50	36	16
MSC5-1636	16	140	36	48
MSC6-1636	16	280	36	85
MSC7-1636	16	600	36	175

Case C Available in sizes 4, 5, 6 & 7 (8 Pin Printed Circuit)

12 PIN P.C LOW PROFILE DUAL 120V PRIMARY WITH 100V TAPS

PART NUMBER	SEC. #1 V/CT	MA.	SEC. #2 V/CT	MA.
MSL4-9024	9.0	70	24	30
MSL5-9024	9.0	240	24	70
MSL6-9024	9.0	480	24	150
MSL7-9024	9.0	1000	24	300
MSL4-16032	16	50	32	18
MSL5-16032	16	140	32	55
MSL6-16032	16	280	32	100
MSL7-16032	16	600	32	200
MSL4-16036	16	50	36	16
MSL5-16036	16	140	36	48
MSL6-16036	16	280	36	85
MSL7-16036	16	600	36	175

Case L Available in sizes 4, 5, 6 & 7 (12 Pin Printed Circuit)

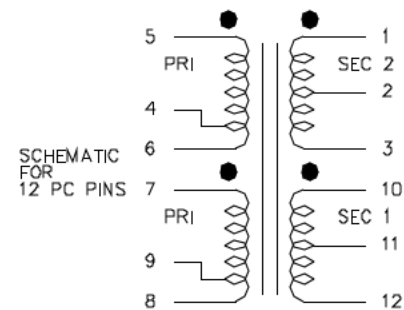
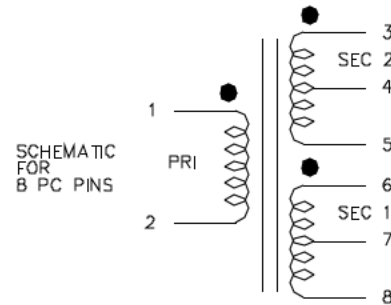
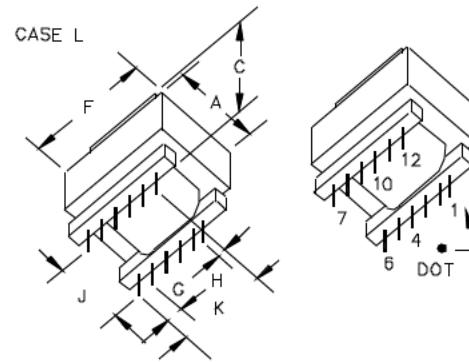
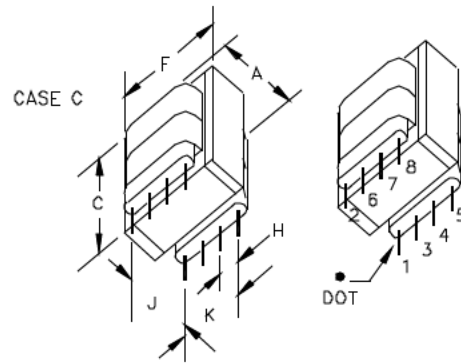
MS SERIES DIMENSIONAL DATA

CASE	SIZE	A	C	F	G OFFSET	H TYP	JxK
C	4	1.15	1.19	1.39		.20	1.0x.60
C	5	1.27	1.38	1.63		.25	1.1x.75
C	6	1.44	1.63	1.89		.25	1.3x.75
C	7	2.34	1.40	1.63		.25	2.1x.75
L	4	1.29	1.05	1.47	.05	.20	.88x1.0
L	5	1.38	1.18	1.65	.05	.25	.98x1.25
L	6	1.61	1.30	1.92	.05	.30	1.10x1.50
L	7	1.92	1.55	2.29	.05	.30	1.30x1.50

CUSTOM VOLTAGES ARE AVAILABLE

REFER TO MS SERIES TRANSFORMERS BY PART NUMBERS.

SAMPLE: MSC 5 - 925
 SERIES CASE VOLTAGES SIZE



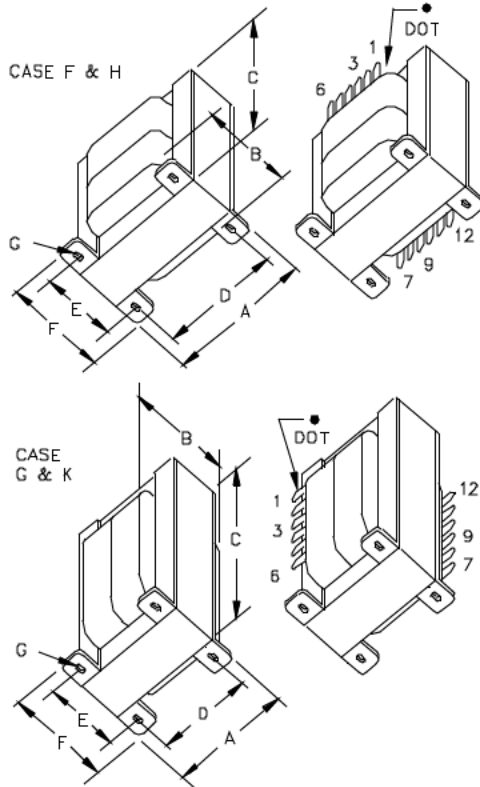
PARALINE MS SERIES CONTINUED

THE MS SERIES TRANSFORMERS LISTED BELOW ARE ALL AVAILABLE WITH -16032 (32 VOLT) OR -16036 (36 VOLT) WINDINGS ON SECONDARY #2.

DUAL 120V PRIMARIES WITH 100V TAPS

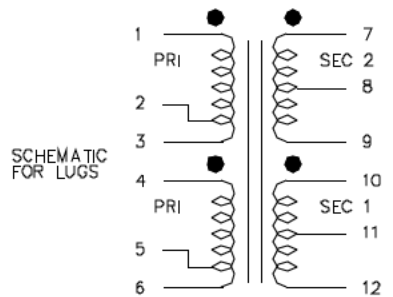
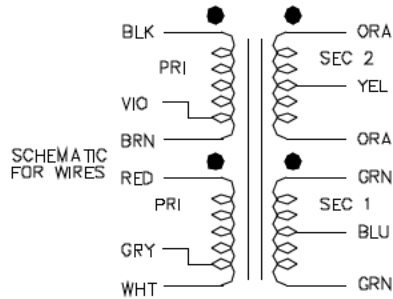
PART NUMBER	-16032		-16036	
	SEC. #1 V/CT	AMPS	SEC. #2 V/CT	AMPS
MSF10-	16	3.8	32	1.2
MSF11-	16	5.0	32	1.8
MSF12-	16	7.0	32	2.5
MSF13-	16	9.0	32	3.0
MSF14-	16	16	32	4.5
MSG10-	16	3.8	32	1.2
MSG11-	16	5.0	32	1.8
MSG12-	16	7.0	32	2.5
MSG13-	16	9.0	32	3.0
MSG14-	16	16	32	4.5
MSH10-	16	3.8	32	1.2
MSH11-	16	5.0	32	1.8
MSH12-	16	7.0	32	2.5
MSH13-	16	9.0	32	3.0
MSH14-	16	16	32	4.5
MSK10-	16	3.8	32	1.2
MSK11-	16	5.0	32	1.8
MSK12-	16	7.0	32	2.5
MSK13-	16	9.0	32	3.0
MSK14-	16	16	32	4.5

Case F Available in sizes 10, 11, 12, 13 & 14 (Lead Wires, Horizontal)
Case G Available in sizes 10, 11, 12, 13 & 14 (Lugs, Vertical)
Case H Available in sizes 10, 11, 12, 13 & 14 (Lugs, Horizontal)
Case K Available in sizes 10, 11, 12, 13 & 14 (Lead Wires, Vertical)

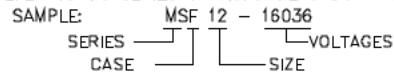


MS SERIES DIMENSIONAL DATA

CASE	SIZE	A	B	C	D	E	F	G
F	10	3.38	2.50	2.81	2.81	2.13	2.69	.2x.37
F	11	3.75	2.80	3.13	3.13	2.25	2.81	.2x.37
F	12	4.13	3.00	3.44	3.44	2.38	2.94	.2x.37
F	13	4.50	3.30	3.75	3.75	2.50	3.15	.2x.37
F	14	4.50	4.40	3.75	3.75	3.50	4.15	.2x.37
G	10	2.81	2.50	3.38	2.25	2.13	2.69	.2x.37
G	11	3.13	2.80	3.75	2.50	2.25	2.81	.2x.37
G	12	3.44	3.00	4.13	2.75	2.38	2.94	.2x.37
G	13	3.75	3.30	4.50	3.00	2.50	3.15	.2x.37
G	14	3.75	4.40	4.50	3.00	3.50	4.15	.2x.37
H	10	3.38	2.50	2.81	2.81	2.13	2.69	.2x.37
H	11	3.75	2.80	3.13	3.13	2.25	2.81	.2x.37
H	12	4.13	3.00	3.44	3.44	2.38	2.94	.2x.37
H	13	4.50	3.30	3.75	3.75	2.50	3.15	.2x.37
H	14	4.50	4.40	3.75	3.75	3.50	4.15	.2x.37
K	10	2.81	2.50	3.38	2.25	2.13	2.69	.2x.37
K	11	3.13	2.80	3.75	2.50	2.25	2.81	.2x.37
K	12	3.44	3.00	4.13	2.75	2.38	2.94	.2x.37
K	13	3.75	3.30	4.50	3.00	2.50	3.15	.2x.37
K	14	3.75	4.40	4.50	3.00	3.50	4.15	.2x.37



REFER TO MS SERIES TRANSFORMERS BY PART NUMBERS.



PARALINE CS SERIES

THE PARALINE CS SERIES TRANSFORMERS WITH STANDARD 120V (47-63 Hz) PRIMARIES ARE AVAILABLE WITH SINGLE PRIMARY AND DUAL SECONDARIES. CASE C USES A 6 PIN PRINTED CIRCUIT CONFIGURATION.

AVAILABLE TOTAL SERIES VOLTAGES AND CURRENT RATINGS OF SECONDARIES

VOLTS (SERIES)	AMPERES						
	SIZE 3	SIZE 4	SIZE 5	SIZE 6	SIZE 7	SIZE 8	SIZE 9
4	.100	.50	1.2	2.4	4.8	9.6	14
6.3	.065	.32	.75	1.5	3.0	6.0	9
8	.050	.28	.60	1.2	2.4	4.8	7
10	.045	.20	.48	.96	1.9	3.8	5.6
12.6	.038	.17	.38	.76	1.5	3.0	4.5
14	.033	.15	.34	.68	1.35	2.7	4.0
16	.030	.13	.30	.60	1.20	2.4	3.7
18	.026	.12	.26	.52	1.05	2.1	3.2
20	.024	.11	.24	.48	.96	1.9	3.0
22	.021	.10	.22	.44	.88	1.75	2.7
24	.019	.095	.20	.40	.80	1.60	2.5
26	.018	.090	.18	.36	.72	1.45	2.2
28	.016	.080	.17	.34	.68	1.35	2.0
30	.015	.070	.16	.32	.64	1.28	1.9
32	.014	.065	.15	.30	.60	1.20	1.8
34	.013	.060	.14	.28	.56	1.10	1.7
36	.012	.055	.13	.26	.52	1.05	1.6
40	.011	.050	.12	.24	.48	.96	1.5
44	.010	.050	.11	.22	.44	.88	1.3
48	.009	.045	.10	.20	.40	.80	1.2
52	.009	.040	.09	.18	.36	.72	1.1
56	.008	.040	.08	.16	.32	.64	1.0
60	.007	.035	.08	.15	.30	.60	.90
66	.007	.030	.07	.14	.28	.56	.85
72	.006	.027	.065	.13	.26	.52	.80
80	.005	.025	.060	.12	.24	.48	.70
88	.005	.024	.055	.11	.22	.44	.65
96	.004	.022	.050	.10	.20	.40	.60
104	.004	.020	.045	.09	.18	.36	.55
120	.004	.017	.040	.08	.16	.32	.50
140	.004	.014	.035	.07	.14	.28	.40
160	.004	.012	.030	.06	.12	.24	.35
180	.004	.011	.025	.05	.10	.20	.30
200	.004	.010	.023	.046	.09	.18	.28
220	.004	.010	.022	.044	.09	.17	.26
240	.004	.009	.020	.040	.08	.16	.24

Case A Available in sizes 6, 7, 8 & 9 (Lead Wires, Horizontal)
 Case C Available in sizes 3, 4, 5, 6 & 7 (6 Pin Printed Circuit)
 Case E Available in sizes 6, 7, 8 & 9 (Lead Wires, Vertical)

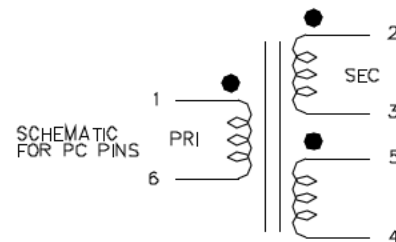
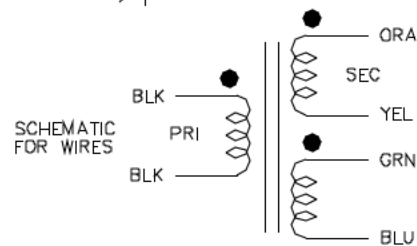
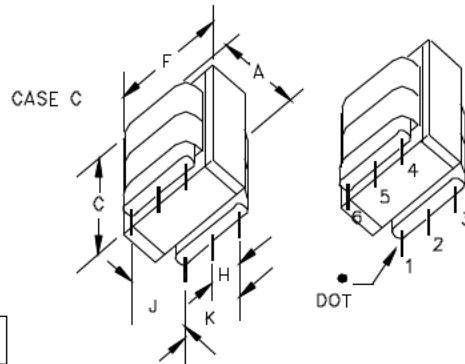
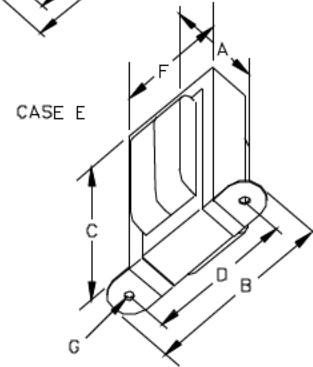
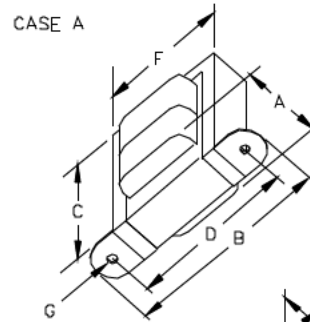
CS SERIES DIMENSIONAL DATA

CASE	SIZE	A	B	C	D	F	G	H TYP	JxK
A	6	1.46	2.83	1.65	2.38	1.97	.187		
A	7	1.75	3.27	1.96	2.83	2.33	.187		
A	8	2.05	3.71	2.28	3.13	2.71	.187		
A	9	2.35	4.00	2.61	3.63	3.08	.187		
C	3	0.93		0.88		1.05		.20	.78x.40
C	4	1.15		1.19		1.39		.32	1.0x.63
C	5	1.27		1.38		1.63		.40	1.1x.80
C	6	1.44		1.63		1.89		.40	1.3x.80
C	7	2.34		1.40		1.63		.40	2.1x.80
E	6	1.46	2.38	1.96	2.00	1.65	.187		
E	7	1.75	2.93	2.35	2.38	1.98	.187		
E	8	2.05	3.15	2.72	2.83	2.75	.187		
E	9	2.35	3.60	3.10	3.18	2.58	.187		

REFER TO CS SERIES TRANSFORMERS BY PART NUMBERS.

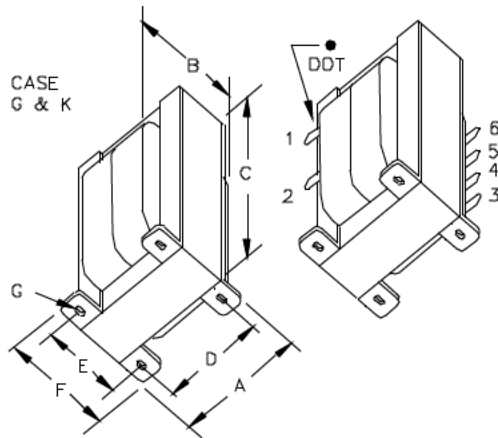
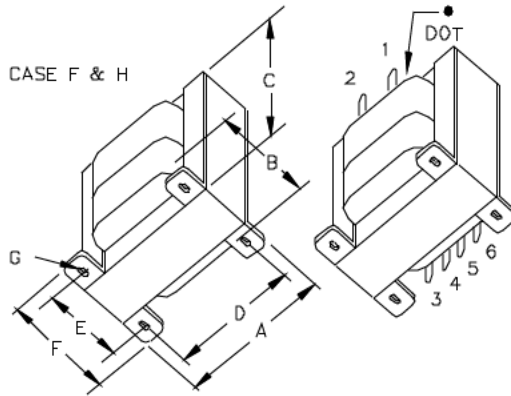
SAMPLE: CSC 4 - 6.3

SERIES CASE TOTAL SERIES VOLTS SIZE



PARALINE CS SERIES CONTINUED

ALL CS SERIES TRANSFORMERS (EXCEPT SIZE 3) ARE ALSO AVAILABLE WITH 240V 47-63 Hz PRIMARIES.



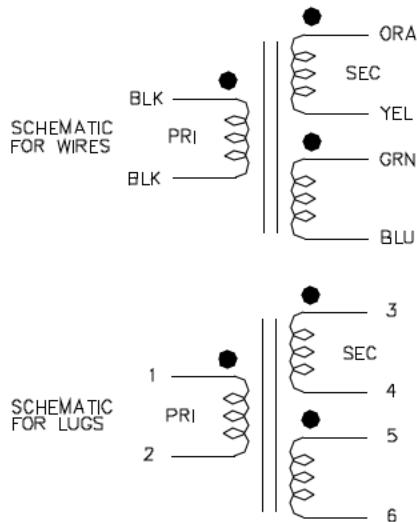
AVAILABLE TOTAL SERIES VOLTAGES AND CURRENT RATINGS OF SECONDARIES

VOLTS (SERIES)	AMPERES				
	SIZE 10	SIZE 11	SIZE 12	SIZE 13	SIZE 14
8	12	17	24	30	50
10	9.5	14	20	24	40
12.6	7.5	11	16	19	32
14	7.0	10	14	17	28
16	6.0	8.7	12	15	25
18	5.3	7.7	11	13	22
20	4.8	7.0	10	12	20
22	4.4	6.3	9.0	11	18
24	4.0	5.8	8.3	10	17
26	3.7	5.4	7.8	9.2	15
28	3.4	5.0	7.1	8.5	14
30	3.2	4.6	6.6	8.0	13
32	3.0	4.3	6.2	7.5	12
34	2.8	4.1	5.8	7.0	11.6
36	2.6	3.8	5.5	6.6	10.9
40	2.4	3.5	5.0	6.0	10.0
44	2.2	3.1	4.5	5.4	9.0
48	2.0	2.9	4.1	5.0	8.3
52	1.8	2.7	3.8	4.6	7.6
56	1.7	2.5	3.5	4.2	7.0
60	1.6	2.3	3.3	4.0	6.7
66	1.45	2.1	3.0	3.6	6.0
72	1.33	1.9	2.7	3.3	5.5
80	1.20	1.7	2.5	3.0	5.0
88	1.10	1.6	2.2	2.7	4.5
96	1.00	1.4	2.0	2.5	4.2
104	.92	1.3	1.9	2.3	3.8
120	.80	1.1	1.6	2.0	3.3
140	.68	1.0	1.4	1.7	2.8
160	.60	.87	1.2	1.5	2.5
180	.53	.77	1.1	1.3	2.2
200	.48	.70	1.0	1.2	2.0
220	.43	.63	.90	1.1	1.8
240	.40	.58	.83	1.0	1.6

Case F Available in sizes 10, 11, 12, 13 & 14 (Lead Wires, Horizontal)
 Case G Available in sizes 10, 11, 12, 13 & 14 (Lugs, Vertical)
 Case H Available in sizes 10, 11, 12, 13 & 14 (Lugs, Horizontal)
 Case K Available in sizes 10, 11, 12, 13 & 14 (Lead Wires, Vertical)

CS SERIES DIMENSIONAL DATA

CASE	SIZE	A	B	C	D	E	F	G
F	10	3.38	2.50	2.81	2.81	2.13	2.69	.2x.37
F	11	3.75	2.80	3.13	3.13	2.25	2.81	.2x.37
F	12	4.13	3.00	3.44	3.44	2.38	2.94	.2x.37
F	13	4.50	3.30	3.75	3.75	2.50	3.15	.2x.37
F	14	4.50	4.40	3.75	3.75	3.50	4.15	.2x.37
G	10	2.81	2.50	3.38	2.25	2.13	2.69	.2x.37
G	11	3.13	2.80	3.75	2.50	2.25	2.81	.2x.37
G	12	3.44	3.00	4.13	2.75	2.38	2.94	.2x.37
G	13	3.75	3.30	4.50	3.00	2.50	3.15	.2x.37
G	14	3.75	4.40	4.50	3.00	3.50	4.15	.2x.37
H	10	3.38	2.50	2.81	2.81	2.13	2.69	.2x.37
H	11	3.75	2.80	3.13	3.13	2.25	2.81	.2x.37
H	12	4.13	3.00	3.44	3.44	2.38	2.94	.2x.37
H	13	4.50	3.30	3.75	3.75	2.50	3.15	.2x.37
H	14	4.50	4.40	3.75	3.75	3.50	4.15	.2x.37
K	10	2.81	2.50	3.38	2.25	2.13	2.69	.2x.37
K	11	3.13	2.80	3.75	2.50	2.25	2.81	.2x.37
K	12	3.44	3.00	4.13	2.75	2.38	2.94	.2x.37
K	13	3.75	3.30	4.50	3.00	2.50	3.15	.2x.37
K	14	3.75	4.40	4.50	3.00	3.50	4.15	.2x.37



REFER TO CS SERIES TRANSFORMERS BY PART NUMBERS.

SAMPLE: CSH 11 - 12.6
 SERIES ——— TOTAL SERIES VOLTS
 CASE ——— SIZE

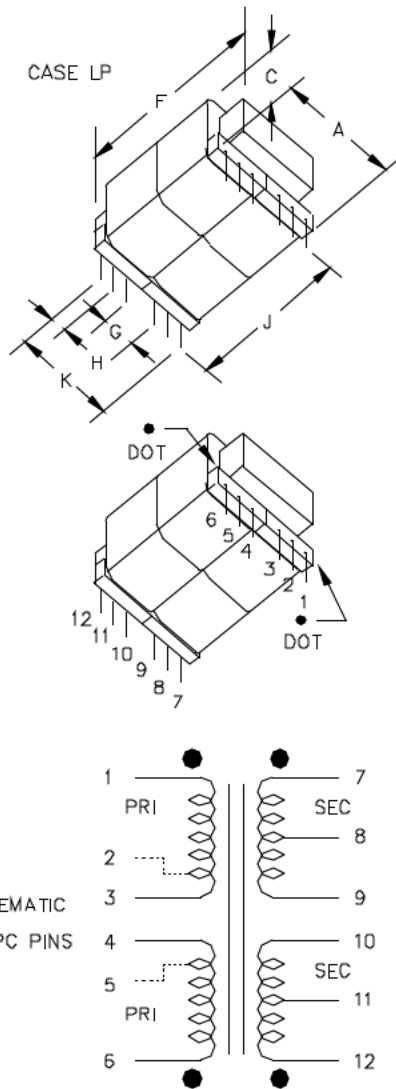
PARALINE DLP & MLP SERIES

THE PARALINE DLP SERIES ARE AVAILABLE IN SIZES 4, 5, 6, 7 & 8 WITH DUAL PRIMARY AND DUAL SECONDARY 12 PIN PRINTED CIRCUIT CONFIGURATIONS. ALL HAVE SEPARATE CENTER TAPPED SECONDARIES. 100 VOLT PRIMARY TAPS AVAILABLE UPON REQUEST.

AVAILABLE TOTAL SERIES VOLTAGES AND CURRENT RATINGS OF SECONDARIES

VOLTS (SERIES)	AMPERES				
	SIZE 4	SIZE 5	SIZE 6	SIZE 7	SIZE 8
4	.46	1.10	2.3	4.4	8.8
6.3	.36	.87	1.8	3.5	7.0
8	.28	.68	1.4	2.7	5.5
10	.23	.55	1.1	2.2	4.4
12.6	.18	.43	.91	1.74	3.5
14	.16	.39	.82	1.57	3.1
16	.14	.34	.71	1.37	2.7
18	.12	.30	.63	1.22	2.4
20	.11	.27	.57	1.10	2.2
22	.10	.25	.52	1.0	2.0
24	.095	.22	.47	.91	1.83
26	.088	.21	.44	.84	1.69
28	.082	.19	.41	.78	1.57
30	.076	.18	.38	.73	1.46
32	.071	.17	.35	.69	1.37
34	.067	.16	.33	.65	1.29
36	.063	.15	.31	.61	1.22
40	.057	.13	.28	.55	1.10
44	.052	.12	.26	.50	1.00
48	.047	.11	.23	.46	.91
52	.044	.10	.22	.42	.84
56	.041	.095	.20	.39	.78
60	.038	.091	.19	.36	.73
66	.034	.083	.17	.33	.66
72	.031	.076	.15	.30	.61
80	.028	.068	.14	.27	.55
88	.026	.062	.13	.25	.50
96	.023	.057	.11	.23	.46
104	.022	.052	.10	.21	.42
120	.019	.045	.095	.18	.36
140	.016	.039	.082	.16	.31
160	.014	.034	.071	.14	.27
180	.012	.030	.063	.12	.24
200	.011	.027	.057	.11	.22
220	.010	.024	.051	.10	.20
240	.009	.022	.047	.091	.18

Case LP Available in sizes 4, 5, 6, 7 & 8 (12 Pin Printed Circuit)



SCHEMATIC FOR 12 PC PINS

THE PARALINE MLP SERIES ARE AVAILABLE IN SIZES 4, 5, 6, 7 & 8 WITH DUAL PRIMARY AND DUAL SECONDARY 12 PIN PRINTED CIRCUIT CONFIGURATIONS. ALL HAVE SEPARATE CENTER TAPPED SECONDARIES. 100 VOLT PRIMARY TAPS AVAILABLE UPON REQUEST.

DESIGNED FOR MICROPROCESSOR POWER SUPPLIES

PART NUMBER	SEC. #1 V/CT	AMPS	SEC. #2 V/CT	AMPS
MLP4-9024	9.0	.12	24	.047
MLP5-9024	9.0	.30	24	.11
MLP6-9024	9.0	.63	24	.23
MLP7-9024	9.0	1.2	24	.45
MLP8-9024	9.0	2.5	24	.90
MLP4-1632	16	.071	32	.035
MLP5-1632	16	.17	32	.085
MLP6-1632	16	.35	32	.17
MLP7-1632	16	.70	32	.34
MLP8-1632	16	1.4	32	.65
MLP4-1636	16	.071	36	.032
MLP5-1636	16	.17	36	.075
MLP6-1626	16	.35	36	.15
MLP7-1636	16	.70	36	.29
MLP8-1636	16	1.4	36	.58

Case LP Available in sizes 4, 5, 6, 7 & 8 (12 Pin Printed Circuit)

CUSTOM VOLTAGES ARE AVAILABLE

DLP & MLP SERIES DIMENSIONAL DATA

SIZE	A	C	F	G	H TYP	JxK
4	1.61	.67	1.92	.375	.187	1.60x1.125
5	1.61	.87	1.92	.375	.187	1.60x1.125
6	2.05	1.08	2.55	.500	.250	2.00x1.50
7	2.28	1.23	2.86	.525	.300	1.90x1.725
8	2.53	1.36	3.17	.650	.300	2.18x1.850

REFER TO DLP/MLP SERIES TRANSFORMERS BY PART NUMBERS.

SAMPLE: DLP 5 - 6.3
 (AND CASE) SERIES SIZE TOTAL SERIES VOLTS

SAMPLE: MLP 5 - 9024
 (AND CASE) SERIES VOLTAGES SIZE

PARALINE MQC & DMQC SERIES

THE PARALINE MQC SERIES TRANSFORMERS ARE SINGLE 120V PRIMARY AND DUAL SECONDARY DESIGNS WITH .187 QUICK CONNECT TERMINALS.

DESIGNED FOR MICROPROCESSOR POWER SUPPLIES

PART NUMBER	SEC. #1	AMPS	SEC. #2 V/CT	AMPS
MQC7-5024	5.0	3.0	24	.45
MQC8-5024	5.0	6.2	24	.88
MQC9-5024	5.0	11.0	24	1.6
MQC7-8032	8.0	1.8	32	.34
MQC8-8032	8.0	3.8	32	.88
MQC9-8032	8.0	7.0	32	1.6
MQC7-8036	8.0	1.8	36	.30
MQC8-8036	8.0	3.8	36	.58
MQC9-8036	8.0	7.0	36	1.0

Case CQ Available in sizes 7, 8 & 9 (Terminals, Horizontal)

THE PARALINE DMQC SERIES TRANSFORMERS ARE DUAL 120V PRIMARY AND DUAL SECONDARY DESIGNS WITH .187 QUICK CONNECT TERMINALS.

DESIGNED FOR MICROPROCESSOR POWER SUPPLIES

PART NUMBER	SEC. #1	AMPS	SEC. #2 V/CT	AMPS
DMQC7-5024	5.0	3.0	24	.45
DMQC8-5024	5.0	6.2	24	.88
DMQC9-5024	5.0	11.0	24	1.6
DMQC7-8032	8.0	1.8	32	.34
DMQC8-8032	8.0	3.8	32	.88
DMQC9-8032	8.0	7.0	32	1.6
DMQC7-8036	8.0	1.8	36	.30
DMQC8-8036	8.0	3.8	36	.58
DMQC9-8036	8.0	7.0 </tr		

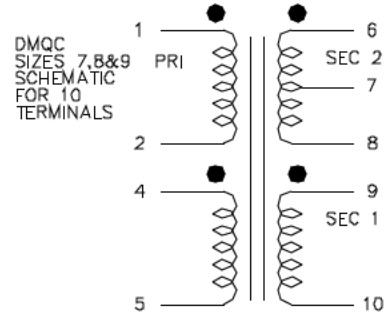
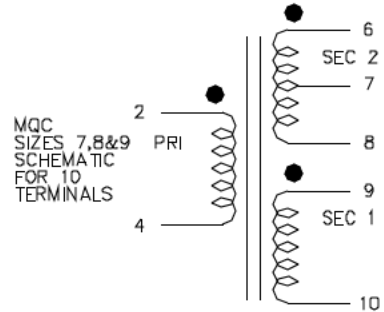
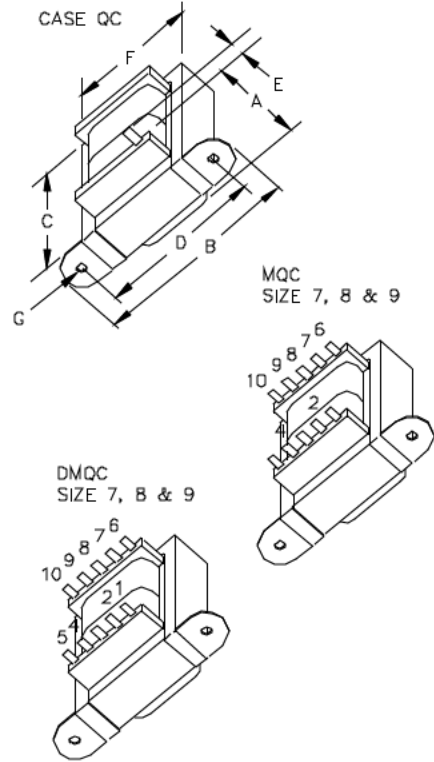
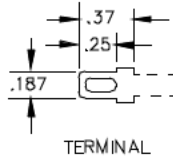
Case CQ Available in sizes 7, 8 & 9 (Terminals, Horizontal)

MQC & DMQC SERIES DIM. DATA

SIZE	A	B	C	D	E	F	G
7	1.74	3.30	1.99	2.81	.37	2.36	.187
8	1.86	3.74	2.30	3.12	.37	2.74	.187
9	2.30	4.08	2.61	3.56	.37	3.11	.187

REFER TO MQC/DMQC SERIES TRANSFORMERS BY PART NUMBERS.

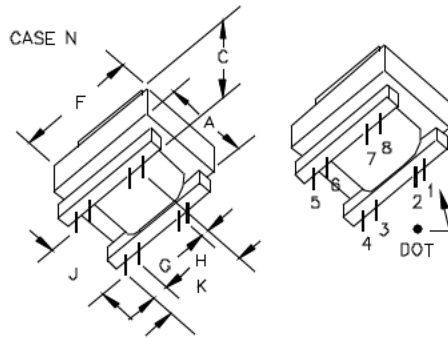
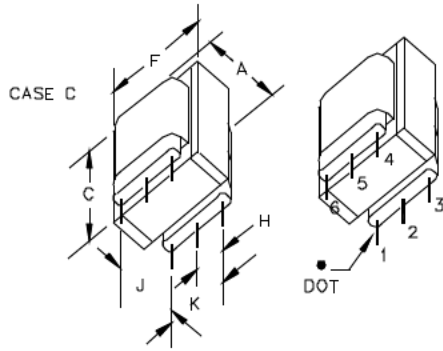
SAMPLE: MQC 8 - 5024
 SERIES (AND CASE) SIZE VOLTAGES



PARALINE TT SERIES

TRANSFORMERS FOR DATA MODEM TERMINALS
DESIGNED TO EXCEED 1200 VAC BREAKDOWN
REQUIREMENTS. DESIGNED TO MEET FCC PART 68.

FREQUENCY RESPONSE: 300-3500 Hz +/-0.5 DB
LEVEL: -45 DBM TO + 7 DBM
DISTORTION: 0.4% MAX.
IMPEDANCE: +/- 10%
RETURN LOSS: 26 DB MIN.



PART NUMBER	PRI. IMP.	SEC. IMP.	FIG.
TTC2-07	600	600	1
TTC3-6549	600	600	1
TTC3-7222	600	600 / 900	2
TTC4-7226	600	600	1
TTC4-7657	600	600 / 900	2
TTC4-18	Holding Coil 1.3 Hy. @ 100 MA. DC.		6
TTN4-4092	600	150 + 150	5
TTN4-4197	600	600 + 600	5

Case C Available in sizes 2, 3 & 4 (6 Pin Printed Circuit)
Case N Available in size 4 (8 Pin Printed Circuit)

WIDE RANGE AUDIO MATCHING TRANSFORMERS

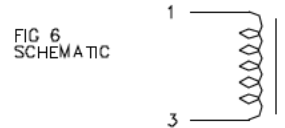
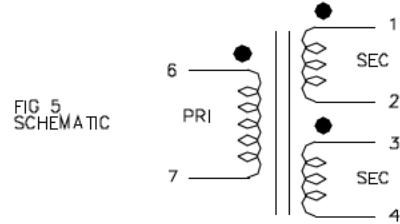
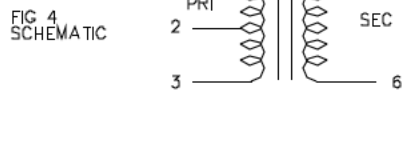
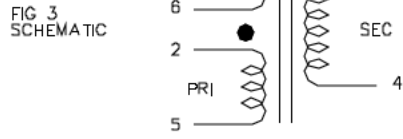
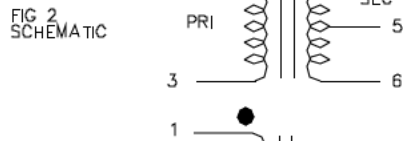
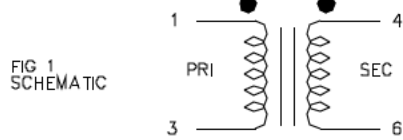
FREQUENCY RESPONSE: 20-20000 Hz +/-2 DB
LEVEL: 5 DBM

PART NUMBER	PRI. IMP.	SEC. IMP.	FIG.
TTC2-8746	400/CT	40K	4
TTC2-8750	200	40K	1
TTC2-8758	200/CT/50	50K	3
TTC2-8761	600/CT/150	50K	3
TTC2-8762	250/CT/62	50K	3
TTC2-8763	50/CT/12	50K	3
TTC2-8772	150	60K	1

Case C Available in size 2 (6 Pin Printed Circuit)

TT SERIES DIMENSIONAL DATA

CASE	SIZE	A	C	F	G OFFSET	H TYP	JxK
C	2	.59	.72	.78		.20	.45x.40
C	3	.93	.88	1.05		.20	.78x.40
C	4	1.15	1.19	1.39		.32	1.0x.63
N	4	1.40	.66	1.66	.05	.25	1.0x1.25



REFER TO TT SERIES TRANSFORMERS BY PART NUMBERS.

SAMPLE: TTC 2 - 8746
SERIES CASE | DASH NUMBER SIZE

PARALINE WC & WCM SERIES

THE PARALINE WC SERIES, CASE L TRANSFORMERS ARE DUAL PRIMARY 120/240 VOLT (47-63 Hz) PRINTED CIRCUIT TRANSFORMERS DESIGNED TO CONFORM TO GLOBAL MARKET REQUIREMENTS.

AVAILABLE TOTAL SERIES VOLTAGES AND CURRENT RATINGS OF SECONDARIES

VOLTS (SERIES)	AMPERES					
	SIZE 4	SIZE 5	SIZE 5.5	SIZE 6	SIZE 7.5	SIZE 8.5
4	.60	1.2	2.4	4.8	7.0	13
6.3	.38	.76	1.5	3.0	4.4	8.4
8	.30	.60	1.2	2.4	3.5	6.6
10	.24	.48	.96	1.9	2.8	5.3
12.6	.19	.38	.76	1.5	2.2	4.2
14	.17	.34	.68	1.3	2.0	3.8
16	.15	.30	.60	1.2	1.7	3.3
18	.13	.26	.50	1.0	1.5	2.9
20	.12	.24	.48	.96	1.4	2.6
22	.11	.22	.44	.88	1.3	2.4
24	.10	.20	.40	.80	1.2	2.2
26	.09	.18	.36	.72	1.1	2.0
28	.08	.17	.34	.68	1.0	1.9
30	.08	.16	.32	.64	.93	1.8
32	.07	.15	.30	.60	.88	1.7
34	.07	.14	.28	.56	.82	1.6
36	.065	.13	.26	.52	.78	1.5
40	.060	.12	.24	.48	.70	1.3
44	.054	.11	.22	.44	.63	1.2
48	.050	.10	.20	.40	.58	1.1
52	.046	.09	.18	.36	.54	1.0
56	.043	.08	.17	.34	.50	.95
60	.040	.08	.16	.32	.46	.88
66	.036	.07	.14	.29	.42	.80
72	.033	.066	.13	.27	.39	.73
80	.030	.060	.12	.24	.35	.66
88	.027	.054	.11	.22	.32	.60
96	.025	.050	.10	.20	.29	.55
104	.023	.046	.09	.18	.27	.51
120	.020	.040	.08	.16	.23	.44
140	.017	.034	.07	.14	.20	.37
160	.015	.030	.06	.12	.17	.33
180	.013	.027	.05	.10	.15	.29
200	.012	.024	.048	.09	.14	.26
220	.010	.022	.043	.09	.13	.24
240	.010	.020	.040	.08	.12	.22

Case L Available in sizes 4, 5 & 5.5 (8 Pin Printed Circuit)
Case L Available in sizes 6, 7.5 & 8.5 (12 Pin Printed Circuit)

THE PARALINE WCM SERIES, CASE L TRANSFORMERS ARE PRINTED CIRCUIT MICROPROCESSOR POWER TRANSFORMERS DESIGNED TO CONFORM TO GLOBAL MARKET REQUIREMENTS.

PART NUMBER	SEC. #1 V/CT	AMPS	SEC. #2 V/CT	AMPS
WCML6 -16032	16	.75	32	.19
WCML7.5-16032	16	1.10	32	.28
WCML8.5-16032	16	2.25	32	.56
WCML6 -16036	16	.75	36	.17
WCML7.5-16036	16	1.10	36	.25
WCML8.5-16036	16	2.25	36	.50

Case L Available in sizes 6, 7.5 & 8.5 (12 Pin Printed Circuit)

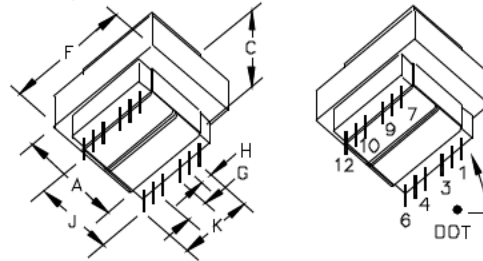
WC & WCM SERIES DIM. DATA

CASE	SIZE	A	C	F	G	H TYP	JxK	PIN SQ.
L	4	1.32	1.13	1.63	.250	.200	1.00x.65	.025
L	5	1.32	1.38	1.63	.400	.200	1.00x.80	.025
L	5.5	1.57	1.38	1.88	.400	.200	1.14x.80	.038
L	6	1.88	1.63	2.25	.400	.200	1.46x1.20	.038
L	7.5	2.19	1.57	2.63	.275	.275	1.68x1.38	.045
L	8.5	2.50	1.82	3.00	.300	.300	1.90x1.50	.045

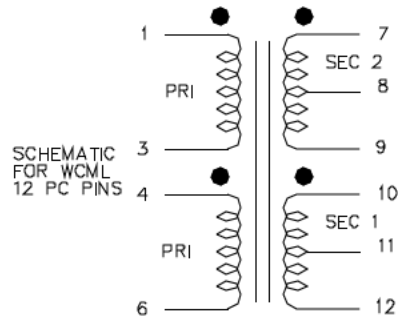
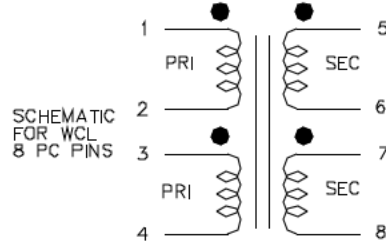
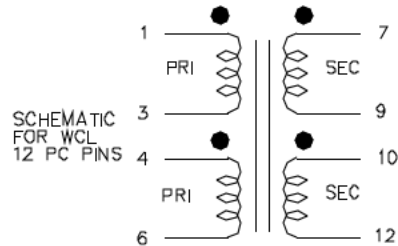
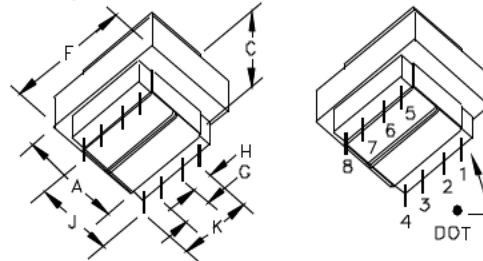
REFER TO WC SERIES TRANSFORMERS BY PART NUMBERS.

SAMPLE: WCL 6 - 6.3
SERIES CASE VOLTAGES SIZE

CASE L
SIZES 6, 7.5 & 8.5



CASE L
SIZES 4, 5 & 5.5



PARALINE WC & WCM SERIES CONTINUED

THE PARALINE WC SERIES, CASE B & G TRANSFORMERS ARE DUAL PRIMARY 120/240 VOLT (47-63 Hz) QUICK CONNECT TERMINAL TYPE TRANSFORMERS DESIGNED TO CONFORM TO GLOBAL MARKET REQUIREMENTS.

AVAILABLE TOTAL SERIES VOLTAGES AND CURRENT RATINGS OF SECONDARIES

VOLTS (SERIES)	AMPERES				
	SIZE 7	SIZE 8	SIZE 9	SIZE 10	SIZE 11
8	2.8	5.0	9.6	15	21
10	2.3	4.0	7.7	12	17
12.6	1.8	3.2	6.1	10	13
14	1.6	2.8	5.5	8.9	12
16	1.4	2.5	4.8	7.8	10
18	1.3	2.2	4.3	6.9	9.3
20	1.1	2.0	3.8	6.2	8.4
22	1.0	1.8	3.5	5.7	7.6
24	.95	1.6	3.2	5.2	7.0
26	.88	1.5	2.9	4.8	6.4
28	.82	1.4	2.7	4.4	6.0
30	.76	1.3	2.5	4.1	5.6
32	.71	1.2	2.4	3.9	5.2
34	.67	1.1	2.2	3.6	4.9
36	.64	1.1	2.1	3.4	4.6
40	.57	1.0	1.9	3.1	4.2
44	.52	.91	1.7	2.8	3.8
48	.48	.83	1.6	2.6	3.5
52	.44	.76	1.5	2.4	3.2
56	.41	.71	1.4	2.2	3.0
60	.38	.66	1.3	2.0	2.8
66	.35	.60	1.2	1.9	2.5
72	.31	.55	1.1	1.7	2.3
80	.28	.50	.96	1.5	2.1
88	.26	.45	.87	1.4	1.9
96	.24	.41	.80	1.3	1.7
104	.22	.38	.74	1.2	1.6
120	.19	.33	.64	1.0	1.4
140	.16	.28	.55	.89	1.2
160	.14	.25	.48	.78	1.0
180	.13	.22	.43	.69	.93
200	.11	.20	.38	.62	.84
220	.10	.18	.35	.56	.76
240	.09	.16	.32	.52	.70

Case B Available in sizes 7 & 8 (10 Terminals, Vertical)

Case G Available in sizes 9, 10 & 11 (12 Terminals, Vertical)

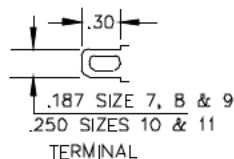
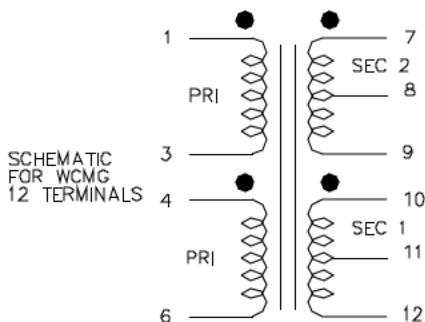
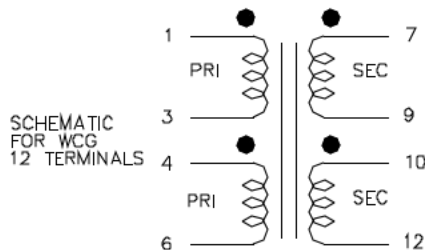
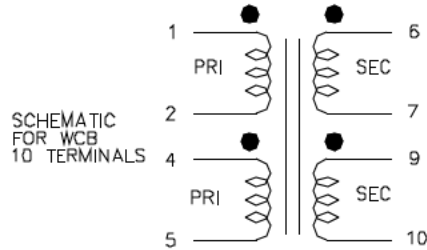
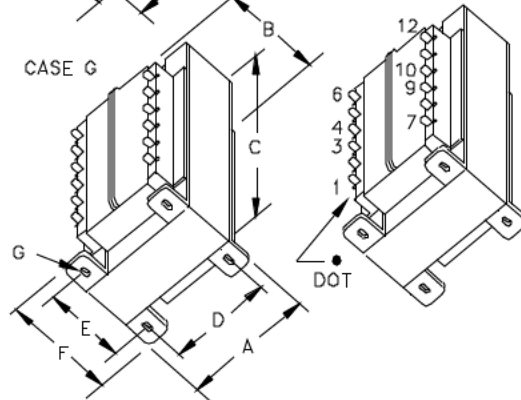
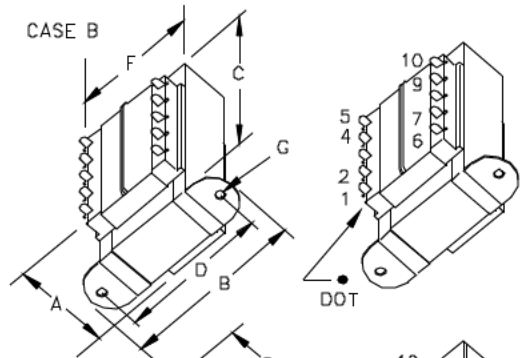
THE PARALINE WCM SERIES, CASE G TRANSFORMERS ARE QUICK CONNECT TERMINAL MICROPROCESSOR TRANSFORMERS DESIGNED TO CONFORM TO GLOBAL MARKET REQUIREMENTS.

PART NUMBER	SEC. #1 V/CT	AMPS	SEC. #2 V/CT	AMPS
WCMG9-16032	16	3.1	32	.78
WCMG10-16032	16	5.1	32	1.3
WCMG11-16032	16	7.0	32	1.8
WCMG9-16036	16	3.1	36	.69
WCMG10-16036	16	5.1	36	1.1
WCMG11-16036	16	7.1	36	1.5

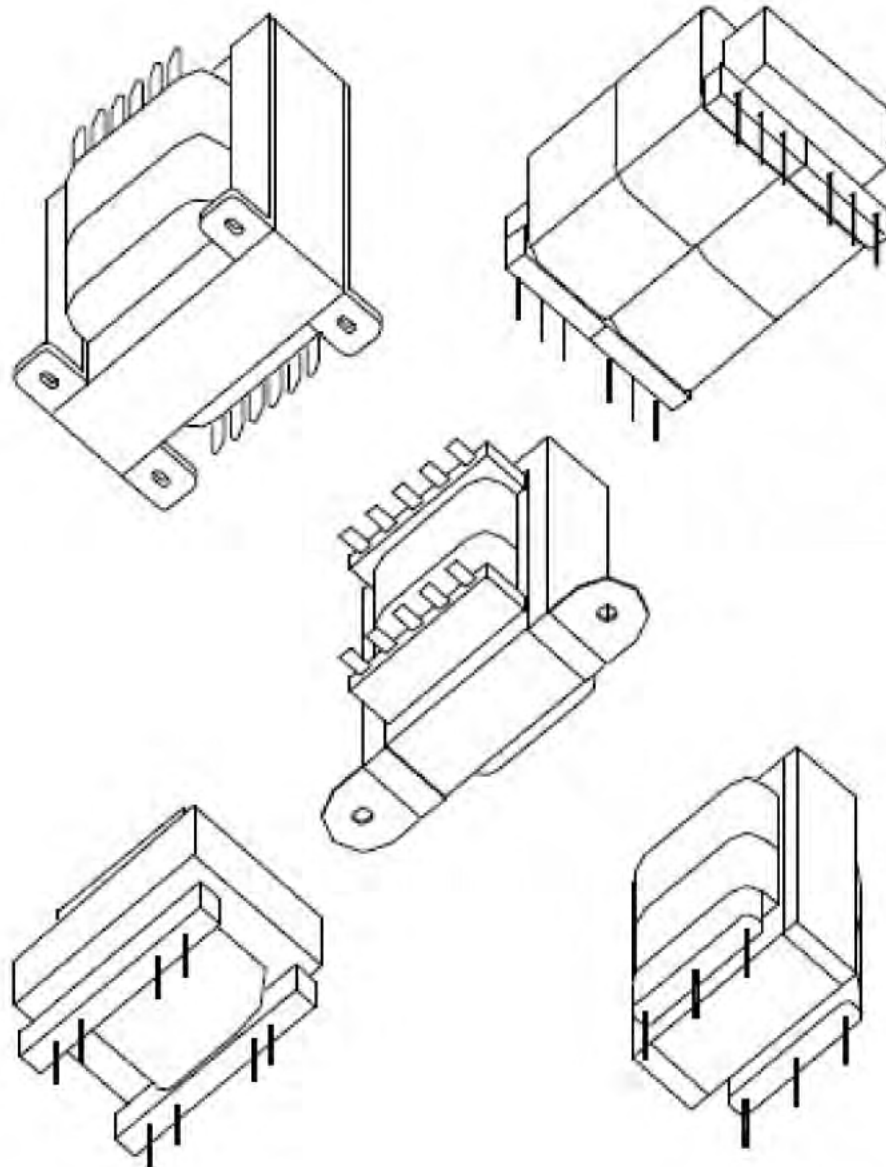
Case G Available in sizes 9, 10 & 11 (12 Terminals, Vertical)

WC & WCM SERIES DIM. DATA

CASE	SIZE	A	B	C	D	E	F	G
B	7	1.88	2.82	2.32	2.38		2.00	.187
B	8	2.07	3.13	2.69	2.82		2.25	.187
G	9	2.50	2.38	3.00	2.00	2.19	2.81	.2x.37
G	10	2.82	2.88	3.38	2.25	2.50	3.12	.2x.37
G	11	3.13	2.88	3.75	2.50	2.50	3.05	.2x.37



REFER TO WC SERIES TRANSFORMERS BY PART NUMBERS.
SAMPLE: WCG 10 - 10
SERIES CASE SIZE VOLTAGES



PARALINE
TRANSFORMER SPECIALISTS

Tel: 626-799-3314 FAX: 626-799-9407

A Division of Arga Controls unit of Electro Switch Corp.